



Chipsmall Limited consists of a professional team with an average of over 10 year of expertise in the distribution of electronic components. Based in Hongkong, we have already established firm and mutual-benefit business relationships with customers from,Europe,America and south Asia,supplying obsolete and hard-to-find components to meet their specific needs.

With the principle of “Quality Parts,Customers Priority,Honest Operation,and Considerate Service”,our business mainly focus on the distribution of electronic components. Line cards we deal with include Microchip,ALPS,ROHM,Xilinx,Pulse,ON,Everlight and Freescale. Main products comprise IC,Modules,Potentiometer,IC Socket,Relay,Connector.Our parts cover such applications as commercial,industrial, and automotives areas.

We are looking forward to setting up business relationship with you and hope to provide you with the best service and solution. Let us make a better world for our industry!



Contact us

Tel: +86-755-8981 8866 Fax: +86-755-8427 6832

Email & Skype: info@chipsmall.com Web: www.chipsmall.com

Address: A1208, Overseas Decoration Building, #122 Zhenhua RD., Futian, Shenzhen, China



4

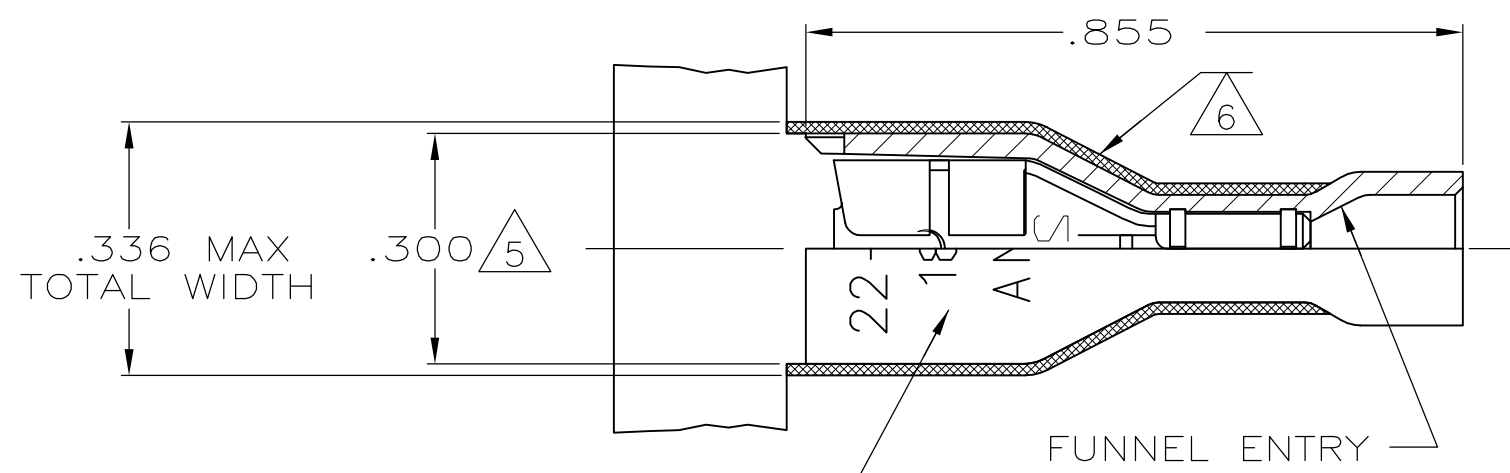
3

2

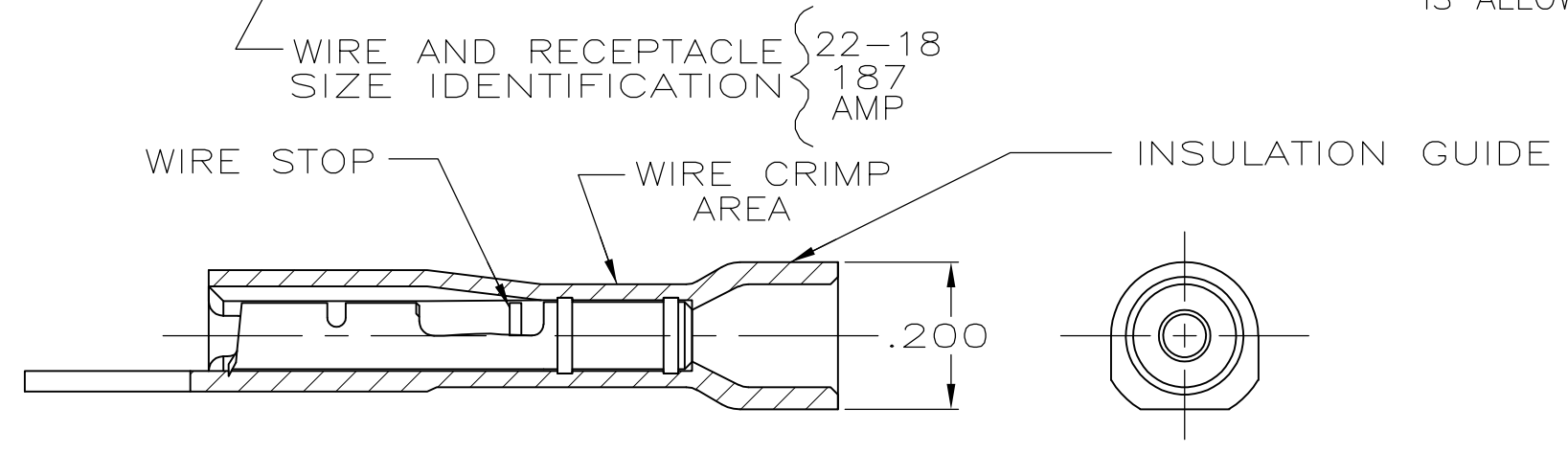
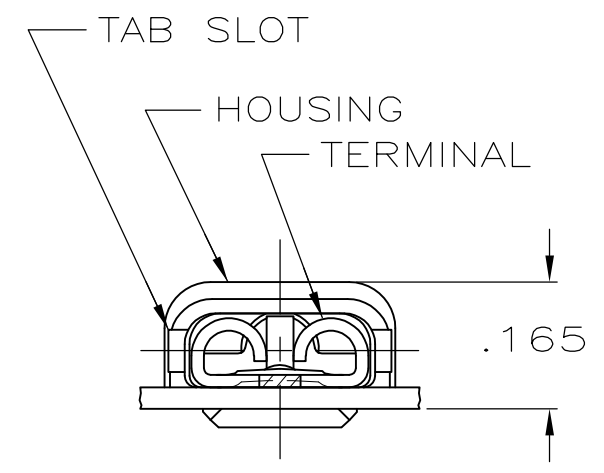
1

THIS DRAWING IS UNPUBLISHED. RELEASED FOR PUBLICATION
 © COPYRIGHT - By - ALL RIGHTS RESERVED.

LOC	DIST	REVISIONS			
P	LTR	DESCRIPTION	DATE	DWN	APVD
AF	50	V	REVISED PER ECR-12-005303	18JUL12	KH KR



- 1 MATES WITH .020±.001x.187 TAB
- 2 WIRE STRIP LENGTH .281
- 3 INSULATION SIZE .135 MAX DIA
- 4 CONTINUOUS STRIP ON REELS
- △5 DIMENSION DOES NOT INCLUDE TRIM BURR
- △6 .015 MAX CARRIER TRIM BURR PER SIDE IS ALLOWABLE IN THE SHADED AREA



PACKAGING	MATERIAL & FINISH	PART NO
STANDARD	HOUSING:NYLON,COLOR-BLACK TRANSLUCENT RECEPTACLE:#3 HARD BRASS TIN	9-520181-2
BULK	HOUSING:NYLON,COLOR-RED TRANSLUCENT RECEPTACLE:#3 HARD BRASS TIN	5-520181-2
STANDARD	HOUSING:NYLON,COLOR-RED TRANSLUCENT RECEPTACLE:#3 HARD PHOS BRONZE TIN	2-520181-4
	HOUSING:NYLON,COLOR-RED TRANSLUCENT RECEPTACLE:#3 HARD BRASS TIN	2-520181-2

THIS DRAWING IS A CONTROLLED DOCUMENT.		DWN P FORTNEY 10/7/88	STE TE Connectivity	
DIMENSIONS: INCHES		CHK MS FEHER 10/10/88		
TOLERANCES UNLESS OTHERWISE SPECIFIED:		APVD K RANDOLPH 10/10/88	NAME RECEPTACLE ASSY,ULTRA-FAST, .187 SERIES,22-18 AWG	
0 PLC ± -		PRODUCT SPEC 108-2043	SIZE	
1 PLC ± -		APPLICATION SPEC 114-2123	CAGE CODE	DRAWING NO
2 PLC ± -		WEIGHT -	A300779	C-520181
3 PLC ± .015		RESTRICTED TO		
4 PLC ± -		SCALE 4:1 SHEET 1 OF 1 REV V		
ANGLES ± -		CUSTOMER DRAWING		
MATERIAL SEE TABLE		FINISH SEE TABLE		