



Chipsmall Limited consists of a professional team with an average of over 10 year of expertise in the distribution of electronic components. Based in Hongkong, we have already established firm and mutual-benefit business relationships with customers from,Europe,America and south Asia,supplying obsolete and hard-to-find components to meet their specific needs.

With the principle of “Quality Parts,Customers Priority,Honest Operation,and Considerate Service”,our business mainly focus on the distribution of electronic components. Line cards we deal with include Microchip,ALPS,ROHM,Xilinx,Pulse,ON,Everlight and Freescale. Main products comprise IC,Modules,Potentiometer,IC Socket,Relay,Connector.Our parts cover such applications as commercial,industrial, and automotives areas.

We are looking forward to setting up business relationship with you and hope to provide you with the best service and solution. Let us make a better world for our industry!



Contact us

Tel: +86-755-8981 8866 Fax: +86-755-8427 6832

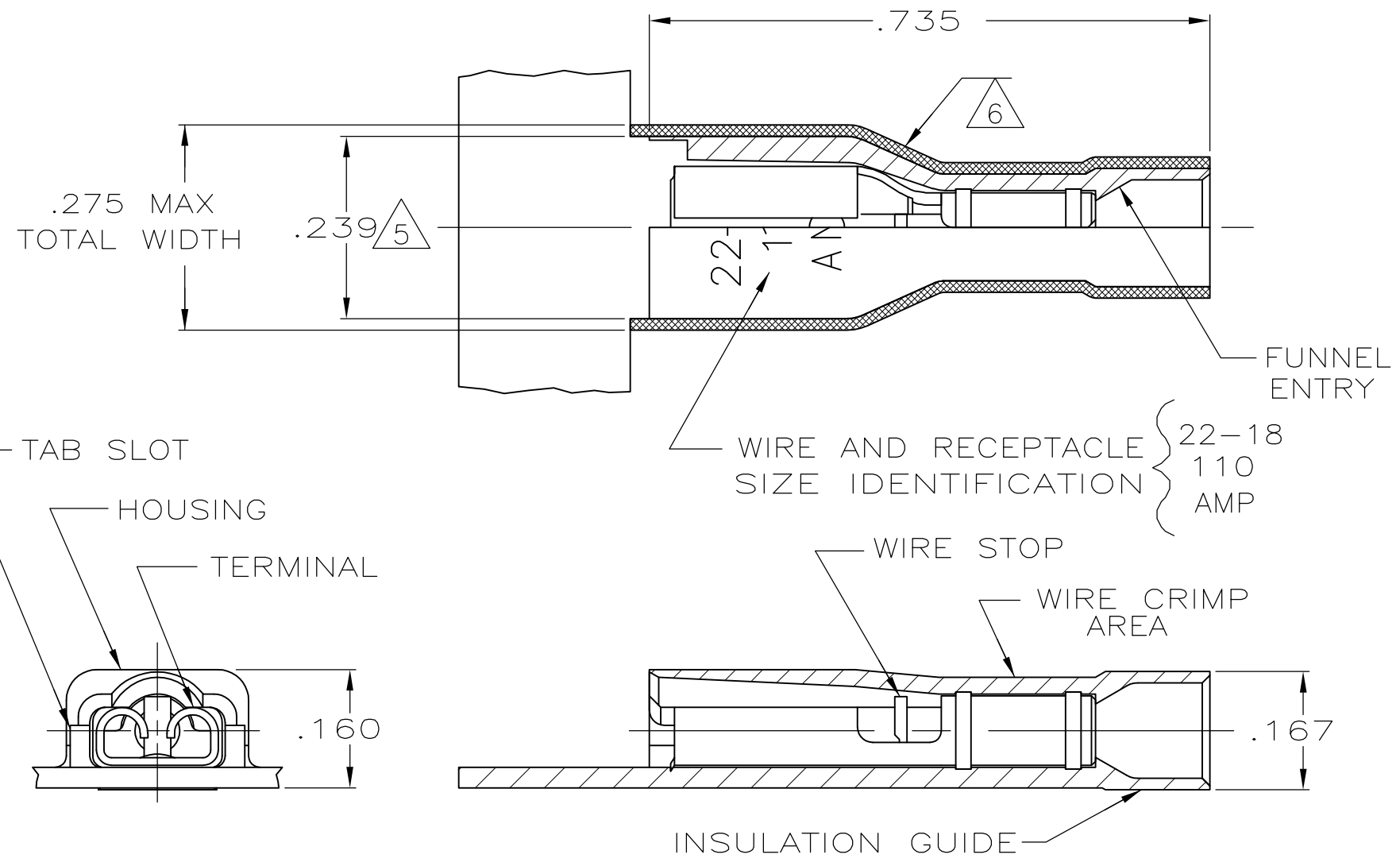
Email & Skype: info@chipsmall.com Web: www.chipsmall.com

Address: A1208, Overseas Decoration Building, #122 Zhenhua RD., Futian, Shenzhen, China



THIS DRAWING IS UNPUBLISHED. RELEASED FOR PUBLICATION
 © COPYRIGHT - By - ALL RIGHTS RESERVED.

LOC	DIST	REVISIONS			
P	LTR	DESCRIPTION	DATE	DWN	APVD
AF	50	M	REVISED PER ECR-12-005303	13JUL12	KH KR



- 1 MATES WITH .032±.001x.110 OR .125 TAB
- 2 WIRE STRIP LENGTH .281
- 3 INSULATION SIZE .120 MAX DIA
- 4 CONTINUOUS STRIP ON REELS
- 5 DIMENSION DOES NOT INCLUDE TRIM BURR
- 6 .015 MAX CARRIER TRIM BURR PER SIDE IS ALLOWABLE IN THE SHADED AREA

HOUSING: NYLON, COLOR-BLACK TRANSLUCENT RECEPTACLE: #3 HARD BRASS TIN	9-520272-2
HOUSING: NYLON, COLOR-RED TRANSLUCENT RECEPTACLE: #3 HARD BRASS TIN	2-520272-2
MATERIAL & FINISH	PART NO

THIS DRAWING IS A CONTROLLED DOCUMENT.		DWN P FORTNEY 11/9/88	TE Connectivity RECEPTACLE ASSY, ULTRA-FAST, .110/.125 SERIES, 22-18AWG		
DIMENSIONS: INCHES		CHK MS FEHER 11/9/88			
TOLERANCES UNLESS OTHERWISE SPECIFIED:		APVD K RANDOLPH 11/11/88			
0 PLC ± - 1 PLC ± - 2 PLC ± - 3 PLC ± .015 4 PLC ± - ANGLES ± -		NAME			
MATERIAL SEE TABLE		FINISH SEE TABLE	PRODUCT SPEC 108-2043	SIZE	RESTRICTED TO
			APPLICATION SPEC 114-2123	CAGE CODE A300779	REV M
			WEIGHT -	DRAWING NO C-520272	
			CUSTOMER DRAWING	SCALE 5:1	SHEET 1 OF 1