



Chipsmall Limited consists of a professional team with an average of over 10 year of expertise in the distribution of electronic components. Based in Hongkong, we have already established firm and mutual-benefit business relationships with customers from,Europe,America and south Asia,supplying obsolete and hard-to-find components to meet their specific needs.

With the principle of “Quality Parts,Customers Priority,Honest Operation,and Considerate Service”,our business mainly focus on the distribution of electronic components. Line cards we deal with include Microchip,ALPS,ROHM,Xilinx,Pulse,ON,Everlight and Freescale. Main products comprise IC,Modules,Potentiometer,IC Socket,Relay,Connector.Our parts cover such applications as commercial,industrial, and automotives areas.

We are looking forward to setting up business relationship with you and hope to provide you with the best service and solution. Let us make a better world for our industry!



Contact us

Tel: +86-755-8981 8866 Fax: +86-755-8427 6832

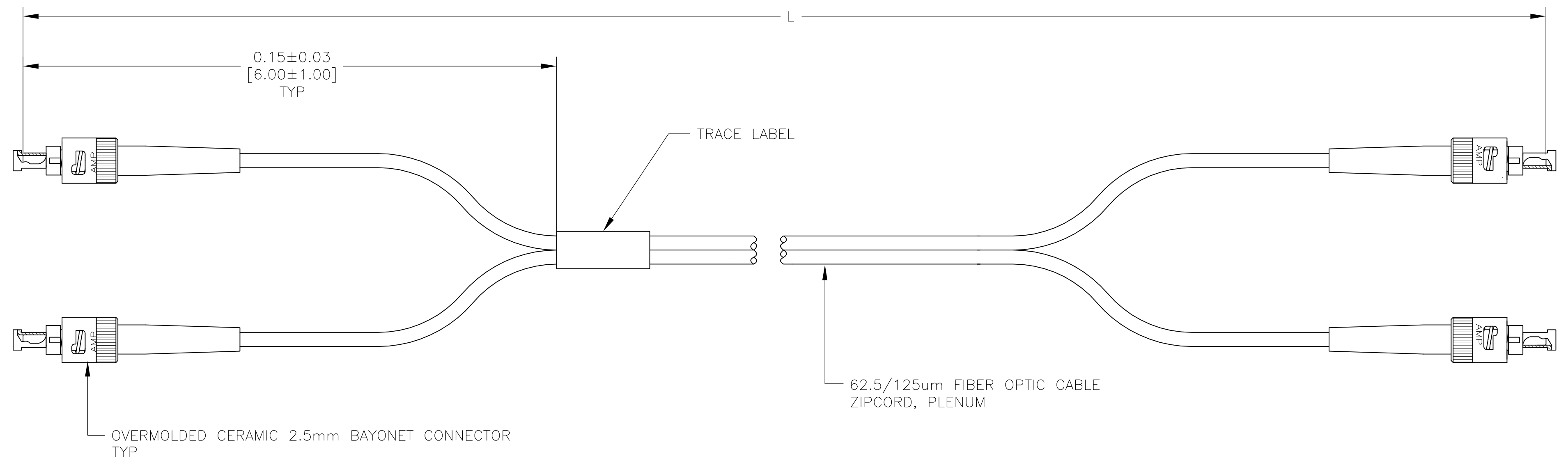
Email & Skype: info@chipsmall.com Web: www.chipsmall.com

Address: A1208, Overseas Decoration Building, #122 Zhenhua RD., Futian, Shenzhen, China



THIS DRAWING IS UNPUBLISHED. RELEASED FOR PUBLICATION
 © COPYRIGHT BY TYCO ELECTRONICS CORPORATION. ALL RIGHTS RESERVED.

LOC		DIST		REVISIONS					
CE		16		P	LTR	DESCRIPTION	DATE	DWN	APVD
				A1		ADD -5,1-5,3-0,6-0	29DEC09	BB	JD



- 1. MAXIMUM CONNECTOR INSERTION LOSS IS 0.5dB PLUS CABLE ATTENUATION OF 1.5dB/km AT 1300nm (SEE TABLE)
- 2. PRODUCT AND PROCESSING MUST MEET REQUIREMENTS OF THE TYCO ELECTRONICS STANDARD 230-702

MAX IL (dB)	L METERS [INCHES]	PART NUMBER
0.65	100.0±1.00 [3937.0±39.0]	9-5503959-9
1.19	457.20±4.57 [18000.0±180.0]	9-5503959-8
1.05	365.76±3.65 [14400.0±144.0]	9-5503959-7
0.91	274.32±2.74 [10800.0±108.0]	9-5503959-6
0.77	182.88±1.82 [7200.0±72.0]	9-5503959-5
0.64	91.44±0.91 [3600.0±36.0]	9-5503959-4
0.59	60.00±0.60 [2362.0±24.0]	6-5503959-0
0.55	30.00±0.30 [1181.0±12.0]	3-5503959-0
0.52	15.00±0.15 [590.6±6.0]	1-5503959-5
0.52	10.00±0.15 [394.0±6.0]	5503959-7
0.51	8.00±0.15 [315.0±6.0]	5503959-6
0.51	5.00±0.08 [196.9±3.0]	5503959-5

THIS DRAWING IS A CONTROLLED DOCUMENT.		DWN	C.S.VASU	01 FEB 06	Tyco Electronics Corporation Harrisburg, PA 17105-3608
DIMENSIONS: METERS [INCHES]		CHK	J.DUNCAN	01 FEB 06	
TOLERANCES UNLESS OTHERWISE SPECIFIED:		APVD	J.DUNCAN	01 FEB 06	
0 PLC ± - 1 PLC ± - 2 PLC ± - 3 PLC ± - 4 PLC ± - ANGLES ± - FINISH -		PRODUCT SPEC	NAME		
MATERIAL -		APPLICATION SPEC	CABLE ASSEMBLY, FIBER OPTIC, 62.5/125um LDD PLENUM, OVERMOLDED CERAMIC BAYONET, OPTIMATE		RESTRICTED TO
		WEIGHT -	SIZE	A2	CAGE CODE
		CUSTOMER DRAWING	00779	DRAWING NO	D=5503959
			SCALE	NTS	SHEET 1 OF 1
				REV	A1

5503959