



Chipsmall Limited consists of a professional team with an average of over 10 year of expertise in the distribution of electronic components. Based in Hongkong, we have already established firm and mutual-benefit business relationships with customers from,Europe,America and south Asia,supplying obsolete and hard-to-find components to meet their specific needs.

With the principle of “Quality Parts,Customers Priority,Honest Operation,and Considerate Service”,our business mainly focus on the distribution of electronic components. Line cards we deal with include Microchip,ALPS,ROHM,Xilinx,Pulse,ON,Everlight and Freescale. Main products comprise IC,Modules,Potentiometer,IC Socket,Relay,Connector.Our parts cover such applications as commercial,industrial, and automotives areas.

We are looking forward to setting up business relationship with you and hope to provide you with the best service and solution. Let us make a better world for our industry!



## Contact us

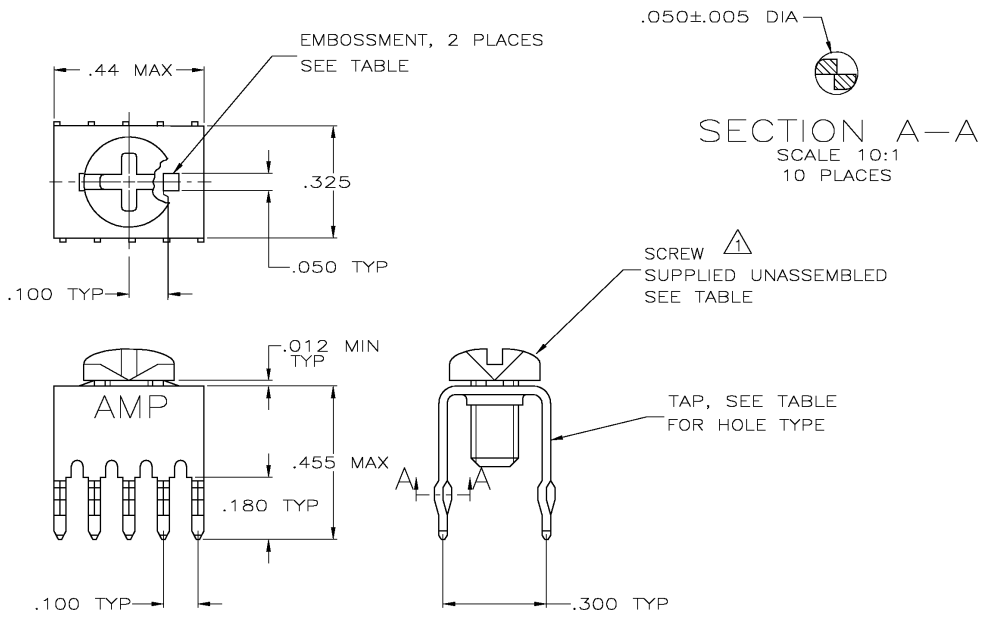
Tel: +86-755-8981 8866 Fax: +86-755-8427 6832

Email & Skype: info@chipsmall.com Web: www.chipsmall.com

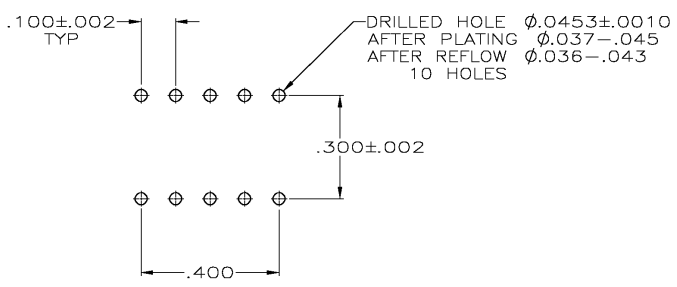
Address: A1208, Overseas Decoration Building, #122 Zhenhua RD., Futian, Shenzhen, China



LOC	DIST	REVISIONS			
P	LR	DESCRIPTION	DATE	DWN	APVD
L		REV PER EC 0512-0217-03	12MAY03	AWF	AWF



- ① TO PREVENT THREAD STRIPPING, SCREW TORQUE SHOULD NOT EXCEED 9 IN LBS.
- ② TAP HOLE IS 6-32UNC-2B, TWO MIN THREADS.
- ③ TAP HOLE IS M4 X 0.7, TWO MIN THREADS.
- ④ TAP: .000150 TIN-LEAD OVER .000050 NICKEL.
- ⑤ TAP: .000150 TIN OVER .000050 NICKEL.



SUPERSEDED BY -4	FINISH	HOLE TYPE	SCREW	EMBOSSMENT	PART NUMBER
			993879-1	YES	9-55558-1
			NO	YES	9-55558-0
			NO	YES	1-55558-1
			993879-1	NO	55558-8
			NO	NO	55558-7
			993879-1	YES	55558-4
			NO	YES	55558-3

THIS DRAWING IS A CONTROLLED DOCUMENT.

DWN J. McCLINTON 1-11-88	Tyco Electronics Corporation City, State, Zip
CHK R. STONE 1-11-88	
APVD M. GALLOWAY 1-11-88	
DIMENSIONS: INCHES	TOLERANCES UNLESS OTHERWISE SPECIFIED:
0 PLC ± -	1 PLC ± -
1 PLC ± -	2 PLC ± -
2 PLC ± -	3 PLC ± .008
3 PLC ± -	4 PLC ± -
4 PLC ± -	ANGLES ± -
MATERIAL COPPER ALLOY 725.	FINISH ④⑤
PRODUCT SPEC	APPLICATION SPEC
SIZE	CODE CODE DRAWING NO
WEIGHT	A2 00779 ©-55558
CUSTOMER DRAWING	RESTRICTED TO
SCALE 4:1	SHEET 1 OF 1 REV L

55558