



Chipsmall Limited consists of a professional team with an average of over 10 year of expertise in the distribution of electronic components. Based in Hongkong, we have already established firm and mutual-benefit business relationships with customers from,Europe,America and south Asia,supplying obsolete and hard-to-find components to meet their specific needs.

With the principle of “Quality Parts,Customers Priority,Honest Operation,and Considerate Service”,our business mainly focus on the distribution of electronic components. Line cards we deal with include Microchip,ALPS,ROHM,Xilinx,Pulse,ON,Everlight and Freescale. Main products comprise IC,Modules,Potentiometer,IC Socket,Relay,Connector.Our parts cover such applications as commercial,industrial, and automotives areas.

We are looking forward to setting up business relationship with you and hope to provide you with the best service and solution. Let us make a better world for our industry!



Contact us

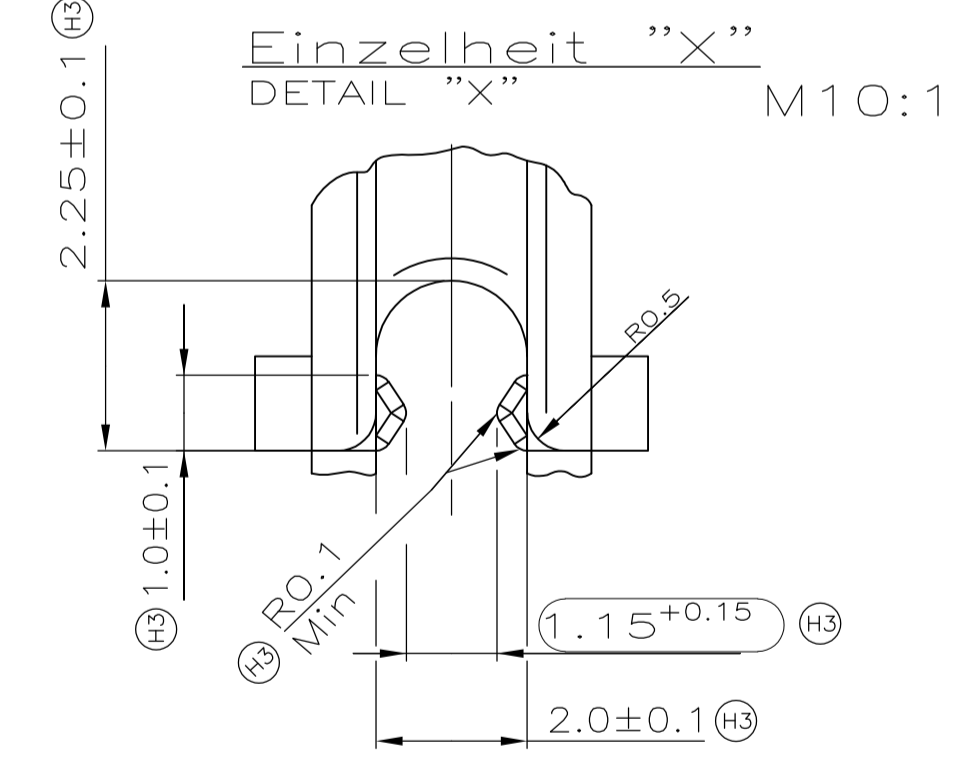
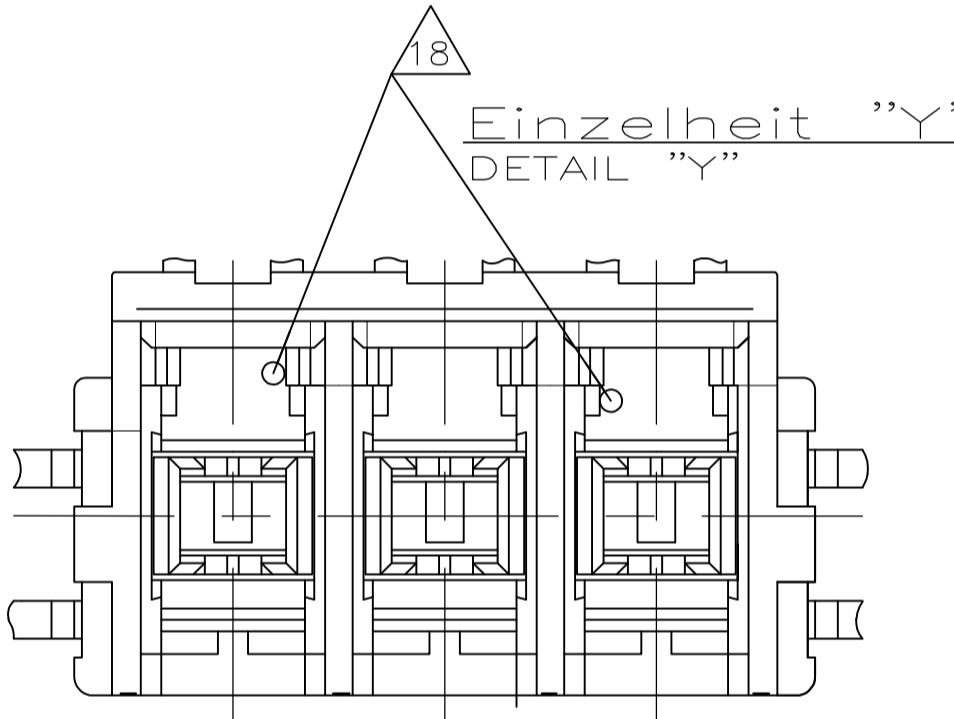
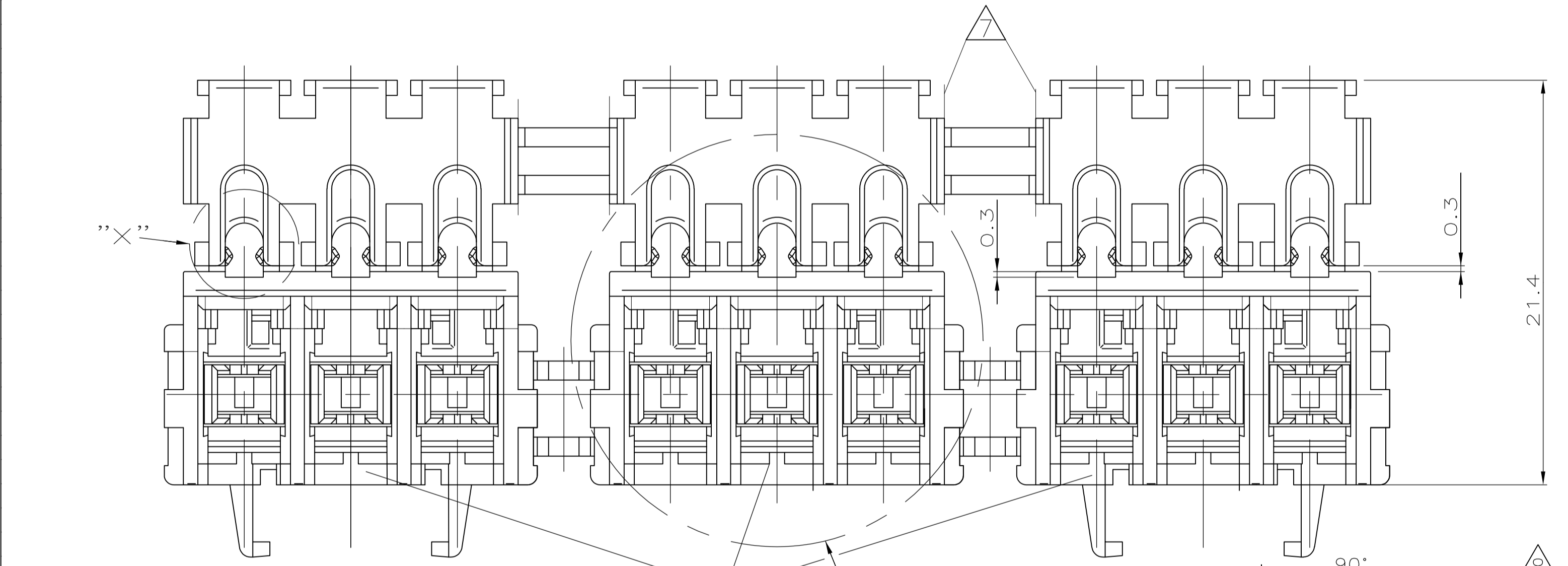
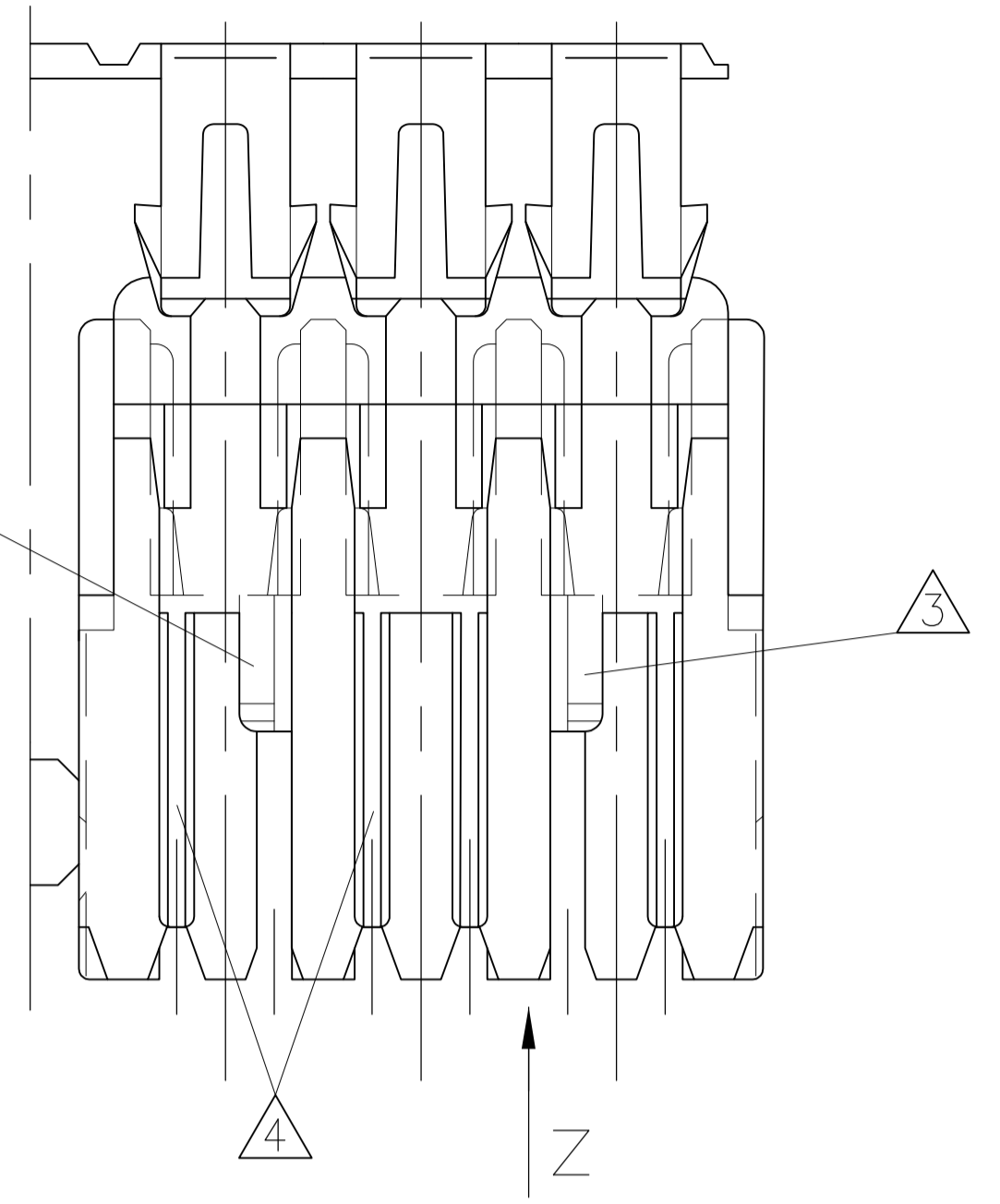
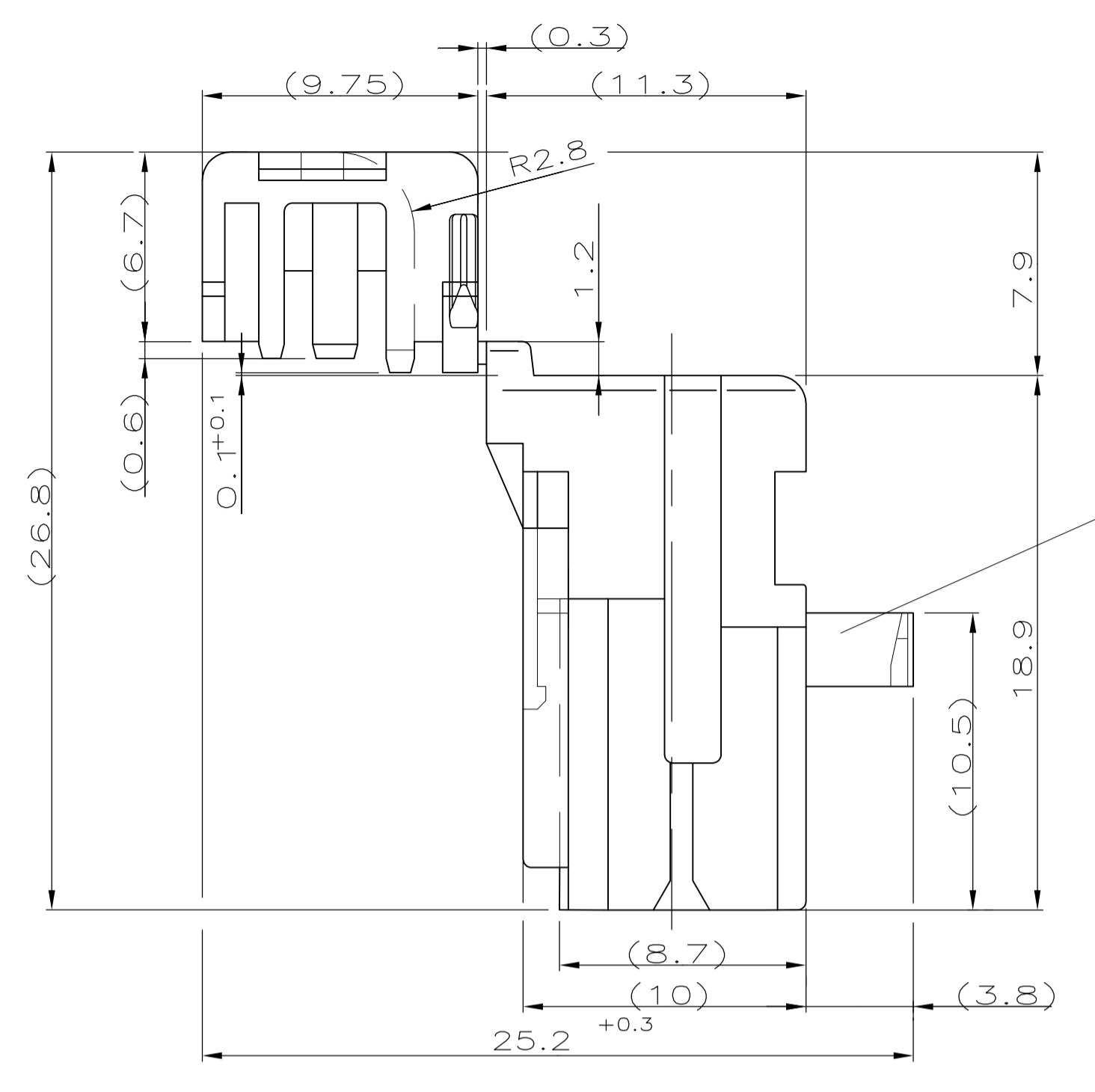
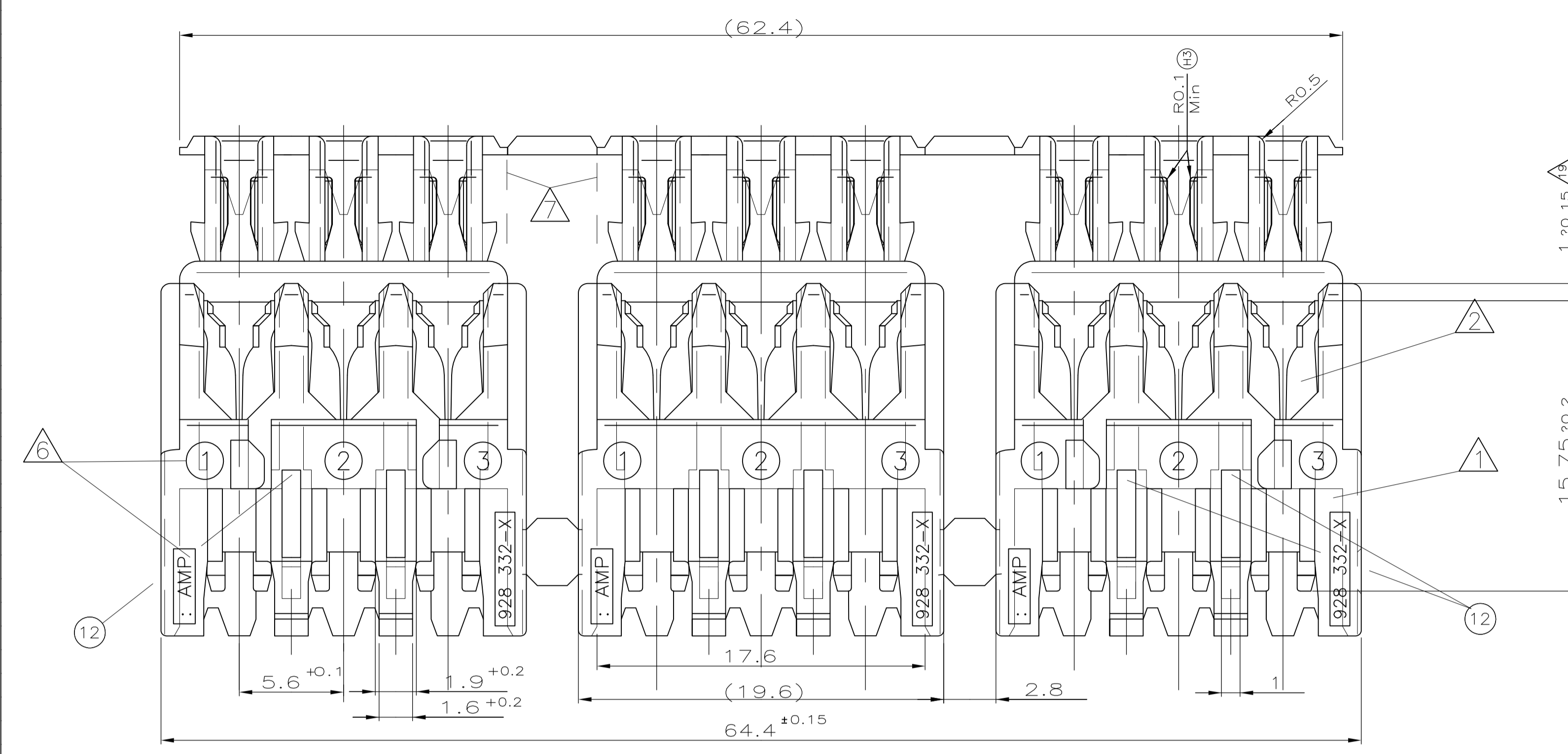
Tel: +86-755-8981 8866 Fax: +86-755-8427 6832

Email & Skype: info@chipsmall.com Web: www.chipsmall.com

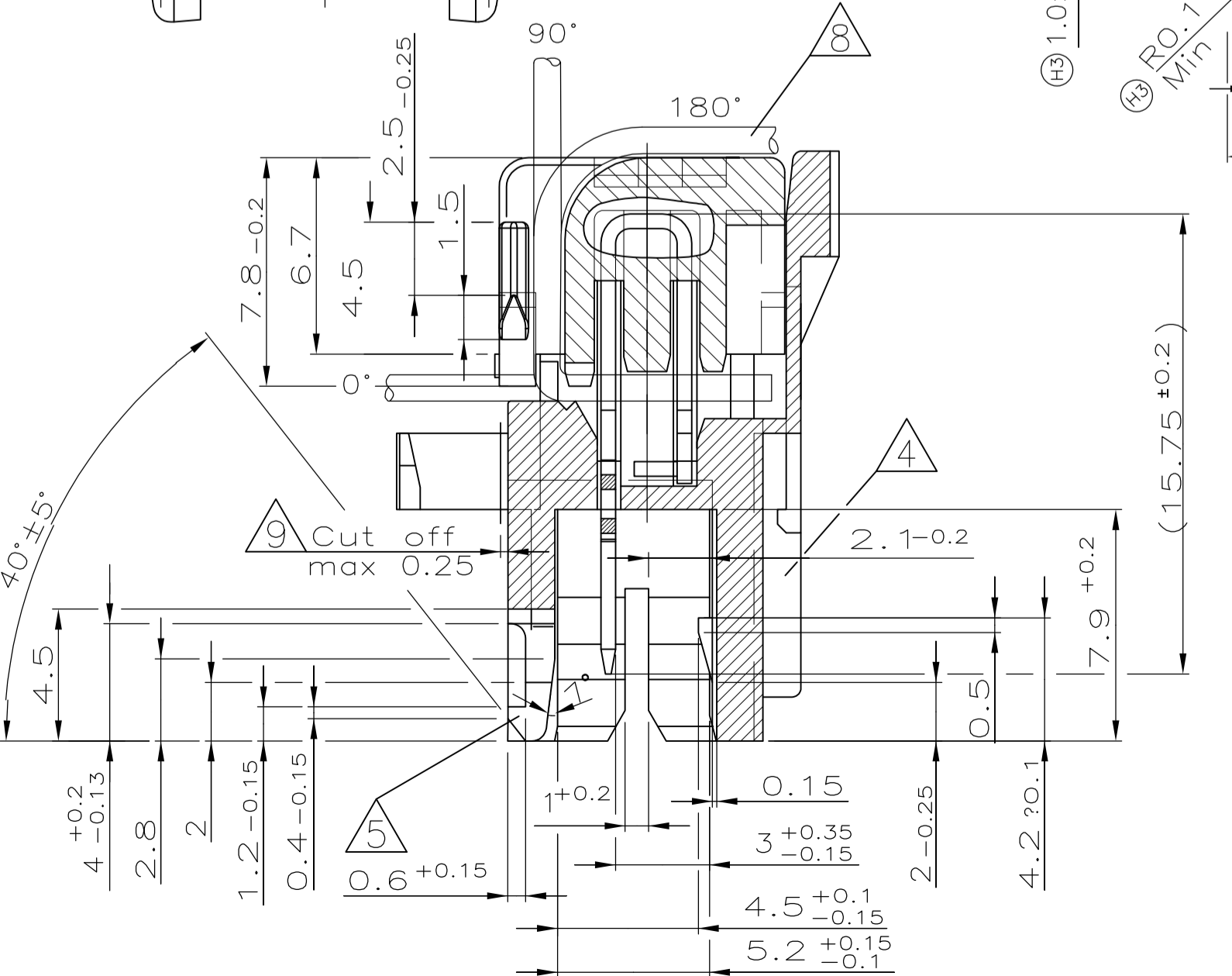
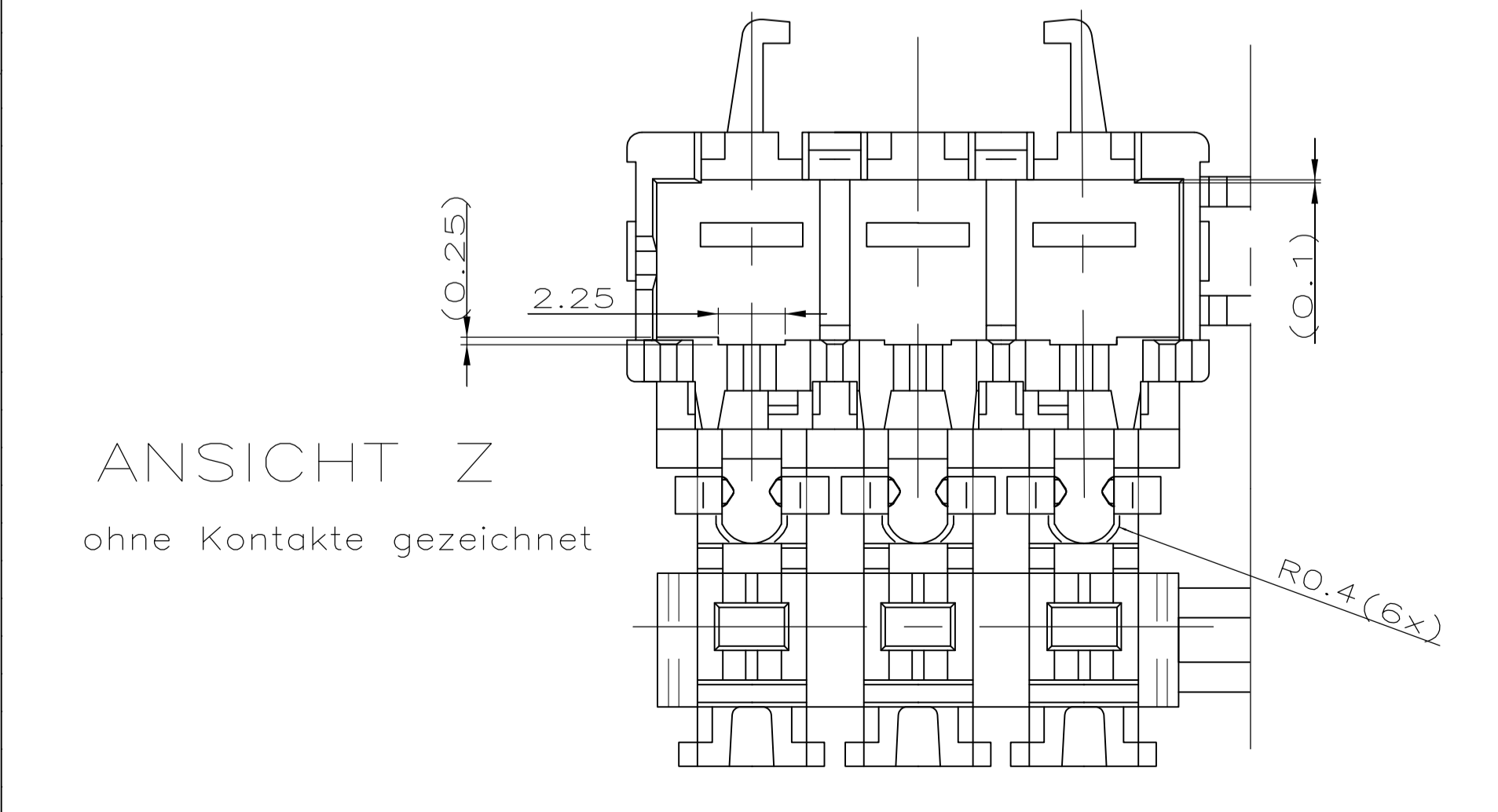
Address: A1208, Overseas Decoration Building, #122 Zhenhua RD., Futian, Shenzhen, China



REVISONS		DATE	DN	APVD
H1	Masse 15,75±0.2 und 1±0.15 hinzugefugt	23.07.04	Munz	—
H2	Revised per ECO-09-023313	13.10.09	AEG	—
H3	Tolerance Updated.	21.04.10	MRS	PKS



- 1 Gehäuse (Stick-mould version)
HOUSING (STICK-MOULD VERSION)
- 2 Kontakt geeignet für Drahtgrößenbereich 0.5-0.75mm²
CONTACT USED FOR WIRE SIZE RANGE 0.5-0.75mm²
- 3 Reelverrastung
REEL-CLIPS
- 4 Kodierrippe
KEYING RIB
- 5 Rasthaken zwischen Kammer Nr.1/2 und 2/3
LOCKING SPRING BETWEEN CHAMBER NO.1/2 AND 2/3
- 6 Zahlen und Schrift Mittelschrift 1.2 DIN 1451.
Nr. auswechselbar 0.2 vertieft
CHARACTERS .050 HIGH, RECEDE .002-.005 WITH .010-.015
FLAT ON TOP.
- 7 Trennlinie
CUT OFF LINE
- 8 Draht, Isolationsdurchmesser max. 1.6mm
WIRE, INSULATION DIAMETER MAX. 1.6mm
- 9 Reelische, Deckelanbindung und Gehäusearasterstege
abgeschnitten während des Verarbeitungsprozesses
REELSTRAP, LIDCURT AND RIBBON OF HOUSING
ARE CUTTED DURING SEQUENCE OF PROCESSING
- 10 Verpackungs- Anweisung Nr. 107-18008
PACKAGING SPEC. NO. 107-18008
- 11 Darstellng entspricht 3 x PN 829327-1
VIEW ACCORDING TO 3 x PN 829327-1
- 12 Ausparung zur Vergrößerung von Luft- und Kriechstrecken
OPERING FOR INCREASE OF AIR GAP AND CREEPAGE DISTANCE
- 13 ULTRADUR B4300 G4 Q100
- 14 Aufkleber PN 725720-5 beinhaltet zusätzlich
Artikel-Nr. Fa. Danfoss 117L0466
STICKER PN 725720-5 INCLUDES IN ADDITION THE
ARTICLE-NO. FA. DANFOSS 117L0466
- 15 Variante wie 0- -2 aber verpackt auf der
"Europalette" (Auslandslieferung), siehe 16
VERSION AS 0- -2 BUT STACKED ON THE
"EUROPALETTE" (DELIVERY TO FOREIGN COUNTRY), SEE 16
- 16 Siehe 9- -4 gleich 0- -4
SEE 9- -4 THE SAME AS 0- -4
- 17 ULTRADUR B4300 G2 Q107 (in der Planung)
ULTRADUR B4300 G2 Q107 (level-by-level planning)
- 18 Öffnungen koennen im mittleren Gehäuse des 3er Sticks
fehlen (kein Einfluss auf die Funktion)
MATERIAL EXTRACTION CAN BE MISSING IN THE MEDIALY HOUSING
OF THE STICK MOULD (NO AFFECT OF THE FUNCTION)
- 19 Abstand zur Kontaktoberkante
DISTANCE TO THE TOP EDGE OF THE CONTACT
- 20 OBSOLETE PARTS: OBSOLETE CIS STREAMLINING PER D.RENAUD/D.SINISI



Achtung / ATTENTION	Bestell-Nr.	Pos.	Stück	Benennung Einzelteil	Werkstoff	Oberfläche / Farbe	Rev
10	9-829-327-2	9	1	Kontakt	CuNiSi	none	F
10	9-829-327-4	9	1	Gehäuse (Riegel 3x3pol.)	PBTB 20% GV	natur	F
10	829-327-2	9	1	Kontakt	CuSn4, T4	none	G
10	829-327-4	9	1	Gehäuse (Riegel 3x3pol.)	PBTB 20% GV	natur	F
14	0-829-327-4	9	1	Kontakt	CuSn4, T4	none	G
14	0-829-327-4	9	1	Gehäuse (Riegel 3x3pol.)	PBTB 20% GV	natur	G

THIS DRAWING IS A CONTROLLED DOCUMENT. DWG: Kürschner 27.7.88
 CHK: Bartosch 27.7.88
 Tyco Electronics Tyco Electronics DEUTSCHLAND G.m.b.H
 Langen b.Ffm., West Germany

DIMENSIONS: mm TOLERANCES UNLESS OTHERWISE SPECIFIED:
 0 PLC ± -
 1 PLC ± ±
 2 PLC ± ± 0.2mm
 3 PLC ± ±
 4 PLC ± ±
 ANGLES ± 1°

MATERIAL: CuNiSi FINISH: - WEIGHT: -
 CUSTOMER DRAWING SCALE: 5:1 SHEET: 1 of 1 REV: H3

3 POS.ID POKE IN TAB CONN.
 PITCH .220(5.6mm)