



Chipsmall Limited consists of a professional team with an average of over 10 year of expertise in the distribution of electronic components. Based in Hongkong, we have already established firm and mutual-benefit business relationships with customers from,Europe,America and south Asia,supplying obsolete and hard-to-find components to meet their specific needs.

With the principle of “Quality Parts,Customers Priority,Honest Operation,and Considerate Service”,our business mainly focus on the distribution of electronic components. Line cards we deal with include Microchip,ALPS,ROHM,Xilinx,Pulse,ON,Everlight and Freescale. Main products comprise IC,Modules,Potentiometer,IC Socket,Relay,Connector.Our parts cover such applications as commercial,industrial, and automotives areas.

We are looking forward to setting up business relationship with you and hope to provide you with the best service and solution. Let us make a better world for our industry!



## Contact us

Tel: +86-755-8981 8866 Fax: +86-755-8427 6832

Email & Skype: info@chipsmall.com Web: www.chipsmall.com

Address: A1208, Overseas Decoration Building, #122 Zhenhua RD., Futian, Shenzhen, China

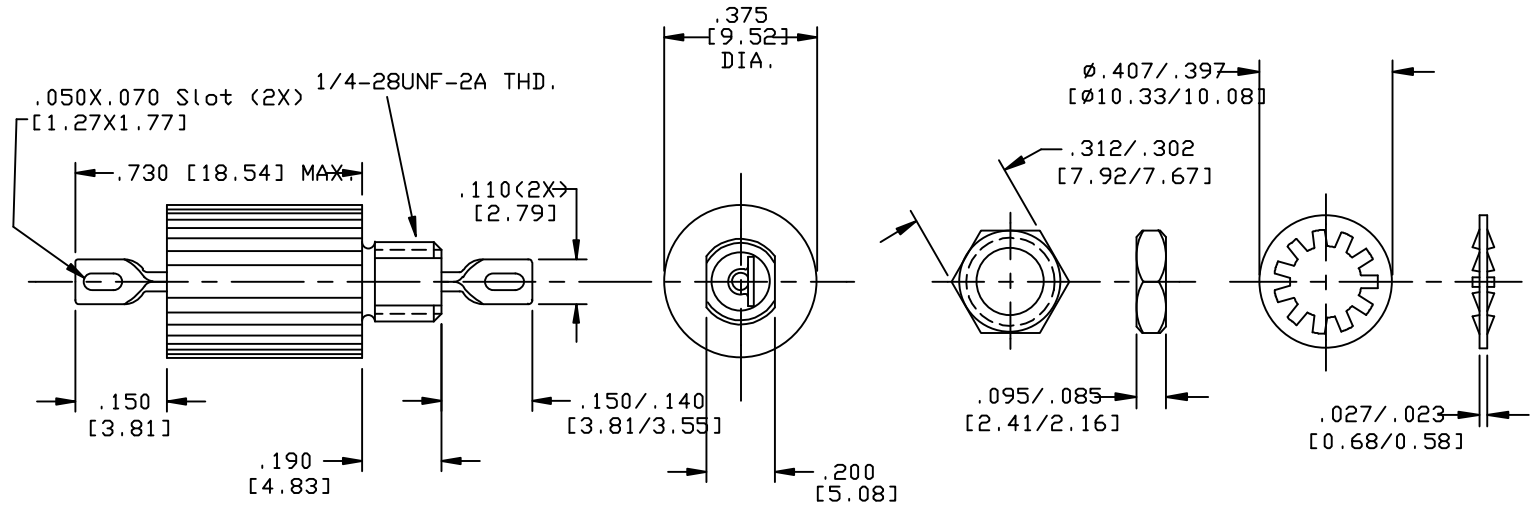


CASE FINISH	CURRENT (AMPS)	WORKING VOLTAGE				MAXIMUM DC RESISTANCE (OHMS)	MAXIMUM VOLTAGE DROP		MINIMUM CAPACITANCE (uF)	MIN. INSERTION LOSS PER MIL-STD-220 FULL LOAD, +25°C												
		-55°C TO +85°C		-55°C TO +125°C			DC	AC		14	30	50	75	100	150	300	500	1	10	100	1	10
		AC	DC	AC	DC					KHz	KHz	KHz	KHz	KHz	KHz	KHz	KHz	MHz	MHz	MHz	GHz	GHz
SOLDER	0.50	125	250	125	180	0.6	--	--	0.25	--	--	--	--	18	--	38	--	58	70	--	70	--

PART MARKING:  
SCI  
9000-100-0024  
DATE CODE

PACKAGE MARKING:  
STANDARD

MARKING NOTES:  
N/A



MTG. HARDWARE

NOTES:

1) MOUNTING TORQUE NOT TO EXCEED 7in.-lbs.

REV	CHANGE	NOTICE	NO.	DATE	BY	CHKD	APP'D	DESCRIPTION
14	CN 184877							UNLESS OTHERWISE SPECIFIED DIMENSIONS ARE IN INCHES. [MILLIMETERS] DO NOT SCALE.
								TOLERANCES UNLESS OTHERWISE SPECIFIED
								Fract#ns
								Dec. .xx±
								Dec. .xxx±010
								Angles ±0° 30'
								CODE IDENT. NO.
								DLSP2
								Sheet 1 of 1
								ERIE, FAIRVIEW PENNSYLVANIA
								Description
								Low Pass EMI Filter
								9000-100-0024

Quality Products From The Specialists In Electro-Magnetic Compatibility