



Chipsmall Limited consists of a professional team with an average of over 10 year of expertise in the distribution of electronic components. Based in Hongkong, we have already established firm and mutual-benefit business relationships with customers from,Europe,America and south Asia,supplying obsolete and hard-to-find components to meet their specific needs.

With the principle of “Quality Parts,Customers Priority,Honest Operation,and Considerate Service”,our business mainly focus on the distribution of electronic components. Line cards we deal with include Microchip,ALPS,ROHM,Xilinx,Pulse,ON,Everlight and Freescale. Main products comprise IC,Modules,Potentiometer,IC Socket,Relay,Connector.Our parts cover such applications as commercial,industrial, and automotives areas.

We are looking forward to setting up business relationship with you and hope to provide you with the best service and solution. Let us make a better world for our industry!



Contact us

Tel: +86-755-8981 8866 Fax: +86-755-8427 6832

Email & Skype: info@chipsmall.com Web: www.chipsmall.com

Address: A1208, Overseas Decoration Building, #122 Zhenhua RD., Futian, Shenzhen, China



Description

Hall effect type current sensor with a single digital output factory programmed to go low when a given current threshold is exceeded. The 9001 Series is able to operate within a temperature range of -40° C to 125° C and has a fast response time of 1µs (typical). The miniature package size allows the 9001 series to be mounted on printed circuit boards and is integrated with an open collector digital output which is ideal for interfacing to control circuitry.

Typical Applications

Welding equipment, servo drives, treadmills, automotive power conversion, power supplies, home audio, MRI equipment

Ordering Information

Type No

9001	Over Current Detector
	Trip Point
	050 50 Amp
	075 75 Amp
	100 100 Amp
	125 125 Amp
	150 150 Amp

9001 - 050 = ordering example

9002	Accessories
	Code
	001 Accessory busbar

9002 - 001 = ordering example

Operating Characteristics

	Symbol	Min	Typ.	Max	Notes
Supply Voltage	V_s	3.8		24.0	VDC
Supply Current	I_s			10.0	mA
Operating Temperature	T_{op}	-40		125	°C (ref. Note 1)
Output Trip Time	T_{trip}		1.0	2.5	µS, $di/dt=I_{trip}/\mu S$
Output ON Voltage	V_{os}		0.15	0.40	VDC sinking 20 mA
Output ON Current	I_{os}			20	mA
9001-050 Trip Current	I_{trip}	44.0	50.0	56.0	Amps @ 25° C
9001-075 Trip Current	I_{trip}	66.0	75.0	84.0	Amps @ 25° C
9001-100 Trip Current	I_{trip}	88.0	100.0	112.0	Amps @ 25° C
9001-125 Trip Current	I_{trip}	110.0	125.0	140.0	Amps @ 25° C
9001-150 Trip Current	I_{trip}	132.0	150.0	168.0	Amps @ 25° C

Note 1: See Mounting and Interface Application Note for severe duty mounting recommendations

Note 2: Detector sensitive to unidirectional current as defined in mechanical dimension drawing



Series 9001

Technical Data

Absolute Maximum Ratings

Supply Voltage	-1.0 to +25 VDC
Voltage Externally Applied to Output	+25 VDC max (Output high, current below I_{trip})
Output ON current (sink)	-0.5 VDC min (Output high or low)
Operating Temp Range	50 mA
Sensed Current	-40° C to +125° C
	+/- 500 Amp peak

Absolute ratings are the extreme limits that the detector will withstand without damage. Electrical operation and characteristics are not guaranteed as the maximum limits are approached. Proper application of the detector must ensure that the detector operates within the operating characteristics listed below.

Trip Current vs. Temperature

Figure 1 - 9001-050

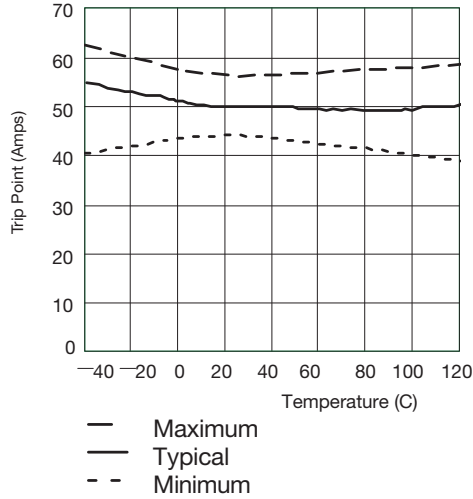


Figure 2 - 9001-075

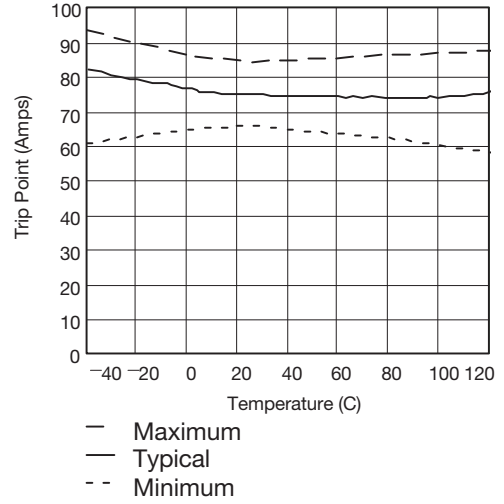


Figure 3 - 9001-100

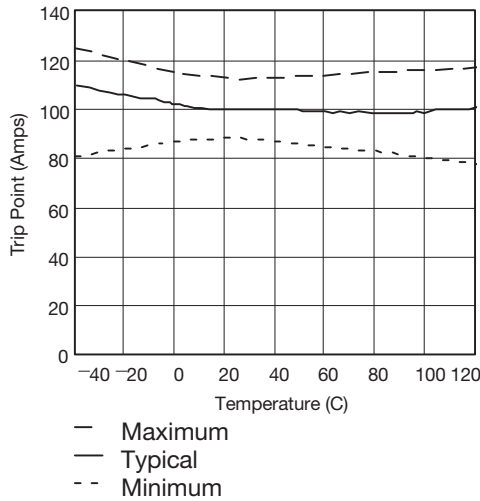


Figure 4 - 9001-125

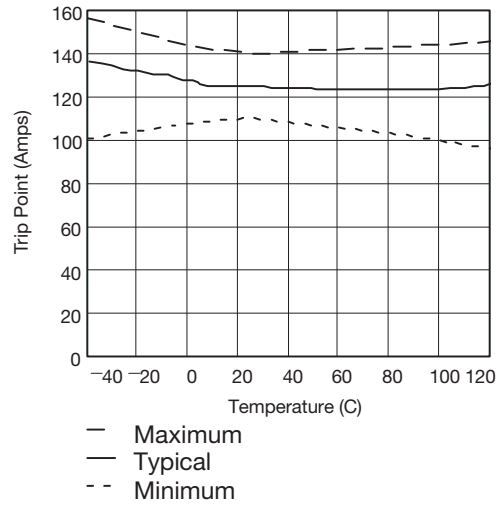
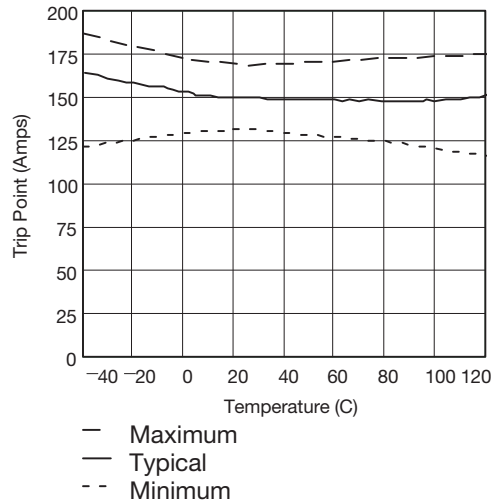
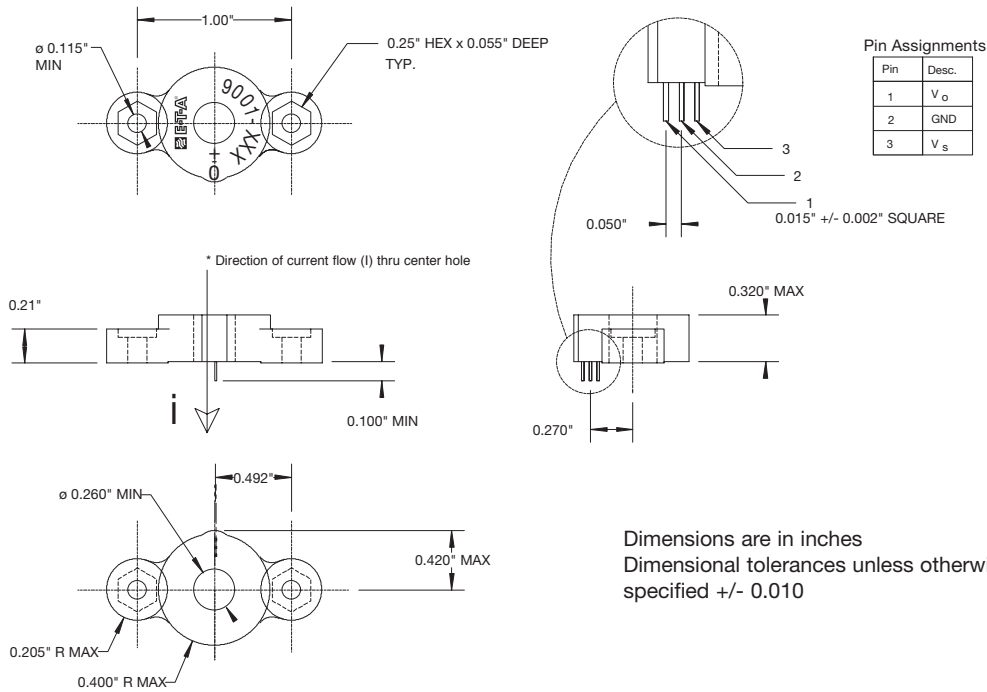


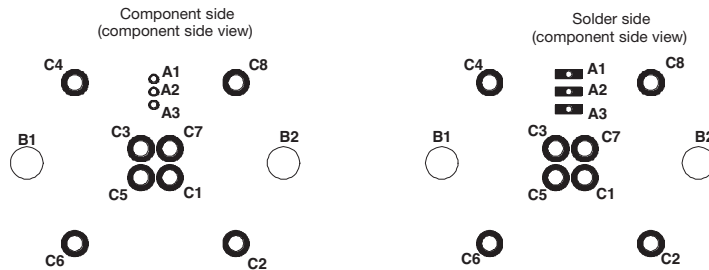
Figure 5 - 9001-150



Mechanical Dimensions



Printed Circuit Board Mounting Footprint



Hole Location Chart

Hole	X	Y
A1	-0.008"	0.320"
A2	-0.008"	0.270"
A3	-0.008"	0.220"
B1	-0.500"	0.000"
B2	0.500"	0.000"
C1	0.056"	-0.056"
C2	0.311"	-0.311"
C3	-0.056"	0.056"
C4	-0.311"	0.311"
C5	-0.056"	-0.056"
C6	-0.311"	-0.311"
C7	0.056"	-0.056"
C8	0.311"	-0.311"

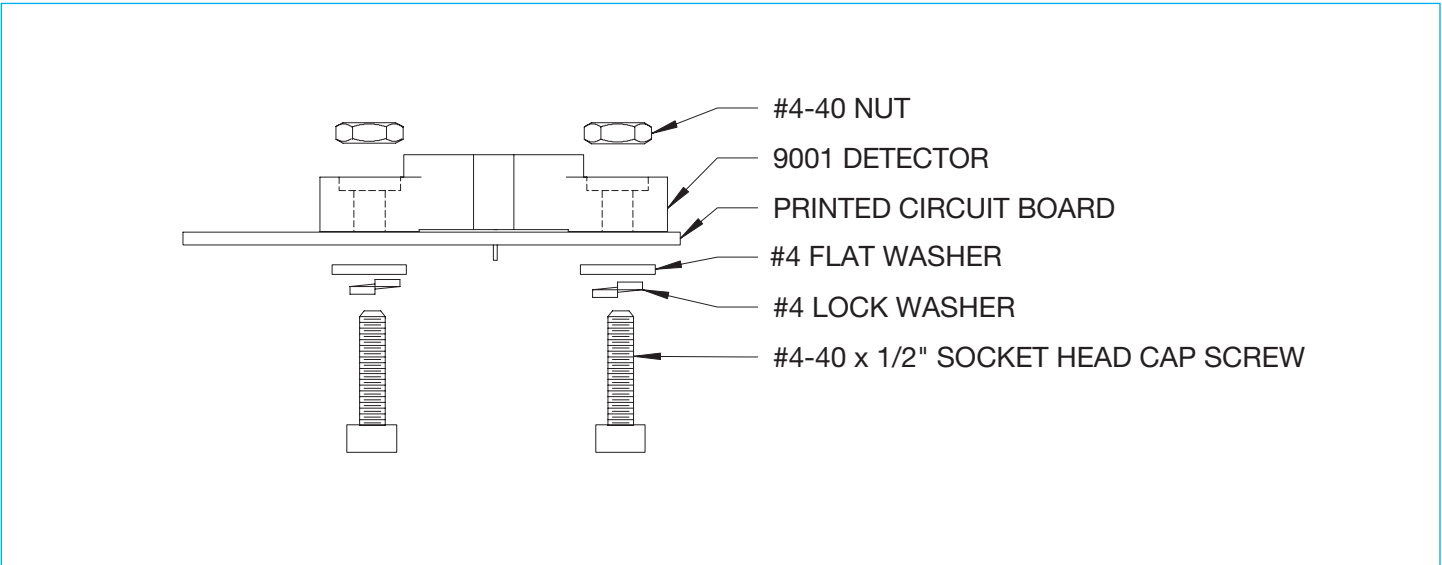
Hole Description Chart

Hole	Finished Diameter	Top Pad	Bottom Pad
A	0.027"	0.035"	0.035" x 0.100"
B	0.136"	None	None
C	0.060"	0.100"	0.100"

Notes:

1. B holes for recommended 4-40 mounting screws
2. C holes for optional accessory busbars (part number 9002-001)
3. Center aperture of detector located at X=0.000, Y=0.000
4. Hole diameter tolerance +/- 0.003"
5. Hole location tolerance +/- 0.003"

Recommended Mounting Exploded View



9002-001 Accessory Busbar Mechanical Dimensions

