



Chipsmall Limited consists of a professional team with an average of over 10 year of expertise in the distribution of electronic components. Based in Hongkong, we have already established firm and mutual-benefit business relationships with customers from,Europe,America and south Asia,supplying obsolete and hard-to-find components to meet their specific needs.

With the principle of “Quality Parts,Customers Priority,Honest Operation,and Considerate Service”,our business mainly focus on the distribution of electronic components. Line cards we deal with include Microchip,ALPS,ROHM,Xilinx,Pulse,ON,Everlight and Freescale. Main products comprise IC,Modules,Potentiometer,IC Socket,Relay,Connector.Our parts cover such applications as commercial,industrial, and automotives areas.

We are looking forward to setting up business relationship with you and hope to provide you with the best service and solution. Let us make a better world for our industry!



Contact us

Tel: +86-755-8981 8866 Fax: +86-755-8427 6832

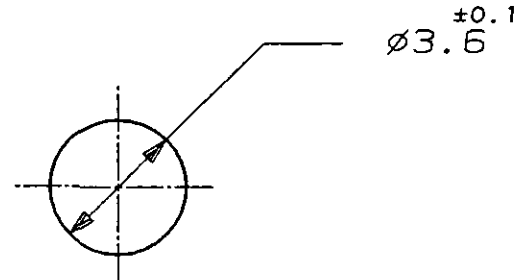
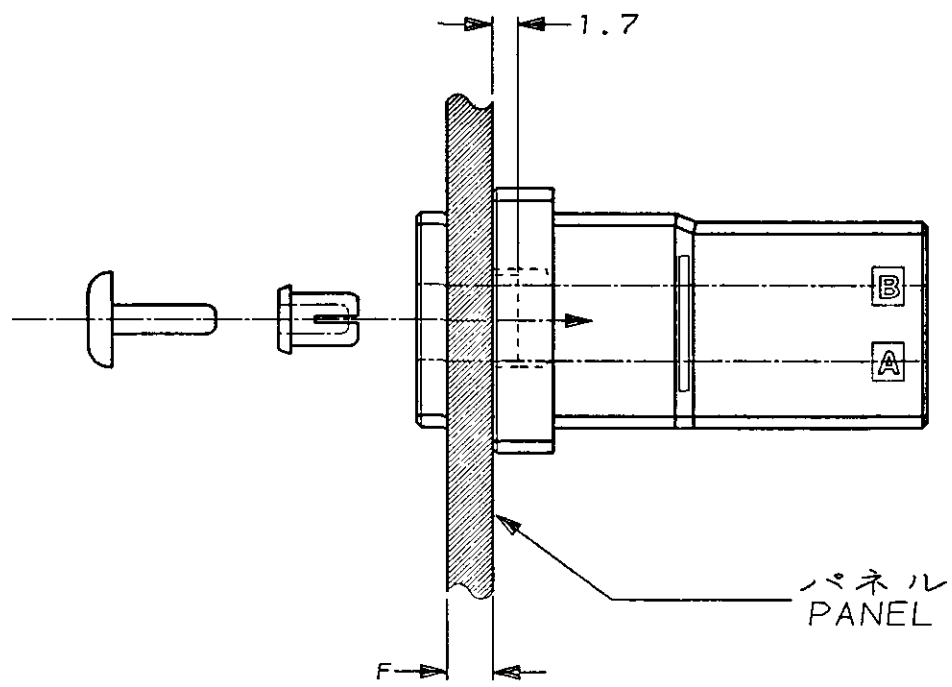
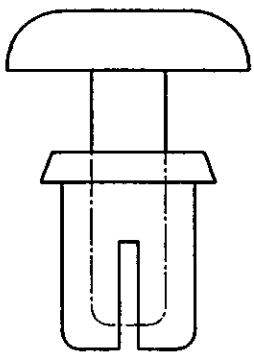
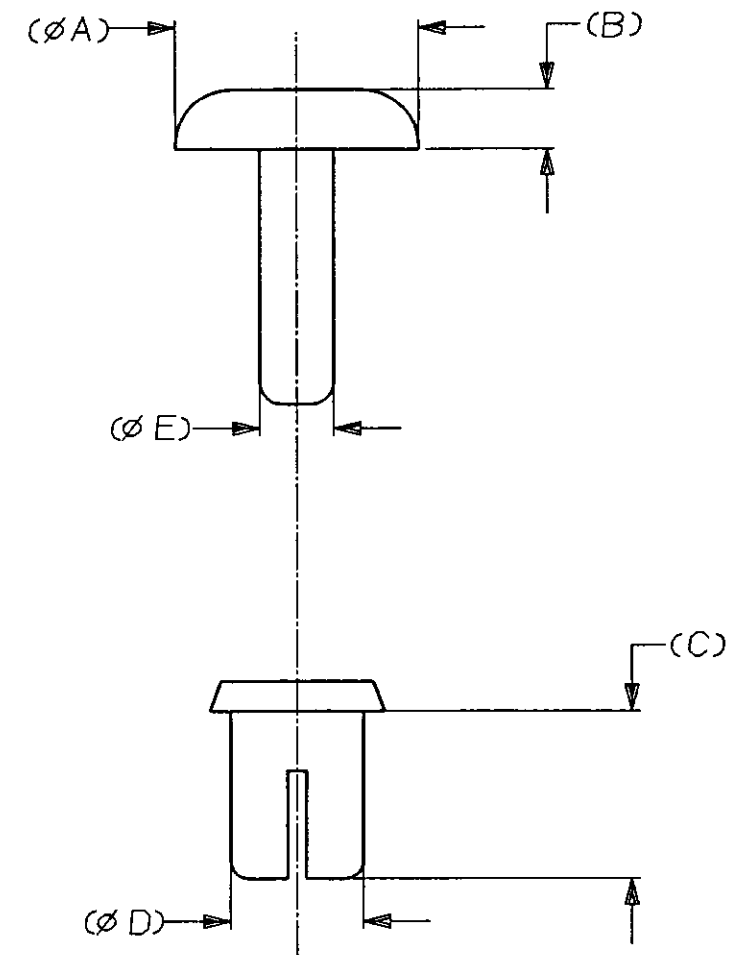
Email & Skype: info@chipsmall.com Web: www.chipsmall.com

Address: A1208, Overseas Decoration Building, #122 Zhenhua RD., Futian, Shenzhen, China



NUMBER 900128
METRIC

PRINT DIST
単位、寸法 DIMENSIONS IN MM. DO NOT SCALE PRINT



パネル穴加工推奨寸法
RECOMMENDED PANEL HOLE LAYOUT

NOTES

1 PACKING UNIT : 1000 EA
△ TWO PUSH RIVETS REQUIRED FOR MOUNTING.

注記

1 包装は 1000 個単位のこと
△ 本製品は 2 個使いのこと

6.4	1.6	7	3.5	1.95	2.8-3.8	2~3 kg	13 kg MIN	900128-3
6.4	1.6	5.5	3.5	1.95	1.3-2.3	2~3 kg	13 kg MIN	900128-2
6.4	1.6	4.5	3.5	1.95	0.3-1.3	2~3 kg	13 kg MIN	900128-1
(ϕ A)	(B)	(C)	(ϕ D)	(ϕ E)	F	挿入力 (参考) INSERTION FORCE (REF)	保持力 RETENTION FORCE	型番 PARTS NUMBER

Copyright ©1994 AMP (Japan), LTD. ALL RIGHTS RESERVED.		Copyright ©1994 AMP (Japan), LTD. ALL RIGHTS RESERVED.		AMP		日本エー・エム・ピー株式会社 Tokyo, Japan	
適合電線断面積 (WIRE RANGE) mm ² (AWG -)		被覆外径 (INSULATION DIA.) mm ϕ		名称 (NAME) フッシュリベット ダイナミックシリーズ用 PUSH RIVET FOR DYNAMIC SERIES			
材料 (MATERIAL) 6ナイロン:黒色 (94V-2) NYLON: BLACK		仕上 (FINISH)		一般公差 (GENERAL TOLERANCE) 10以下: ±0.2 10を超え 30以下: ±0.25 30を超え 100以下: ±0.3 角 度: ±3°		LOC B J	番号 (No.) 900128
A REVISION (FJ00-2166-95) K.I.S.M.	DR. 27/SEP/94 K.IKEDA	DE. 27/SEP/94 K.IKEDA	APP. 27/SEP/94 S.MANABE	尺度 (SCALE) 5-1	REV. A	SHEET 1 OF 1	
LTR 変更 (REVISION RECORD)	DR	CHK	DATE	CHK- 27/SEP/94 S.MANABE	APP. 27/SEP/94 S.MANABE		