



Chipsmall Limited consists of a professional team with an average of over 10 year of expertise in the distribution of electronic components. Based in Hongkong, we have already established firm and mutual-benefit business relationships with customers from,Europe,America and south Asia,supplying obsolete and hard-to-find components to meet their specific needs.

With the principle of “Quality Parts,Customers Priority,Honest Operation,and Considerate Service”,our business mainly focus on the distribution of electronic components. Line cards we deal with include Microchip,ALPS,ROHM,Xilinx,Pulse,ON,Everlight and Freescale. Main products comprise IC,Modules,Potentiometer,IC Socket,Relay,Connector.Our parts cover such applications as commercial,industrial, and automotives areas.

We are looking forward to setting up business relationship with you and hope to provide you with the best service and solution. Let us make a better world for our industry!



## Contact us

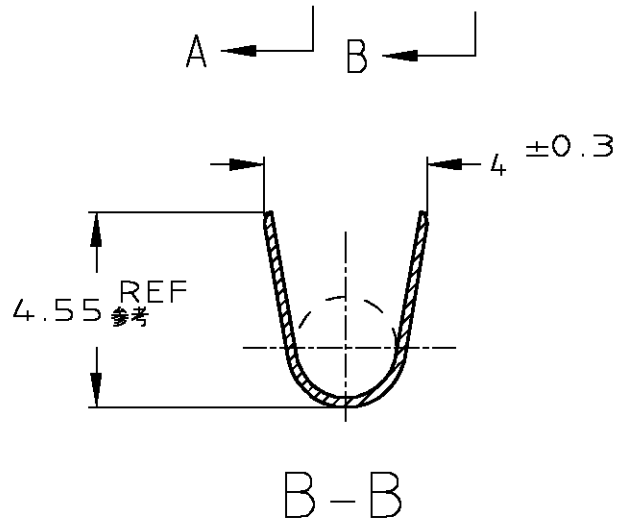
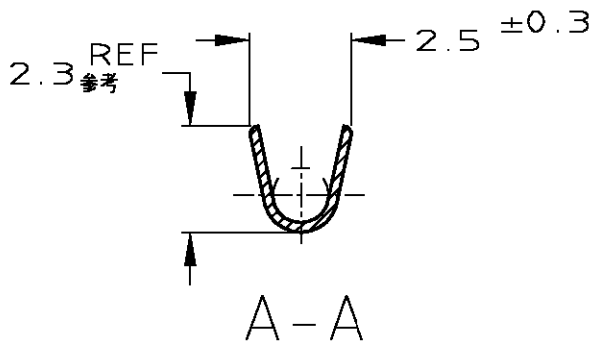
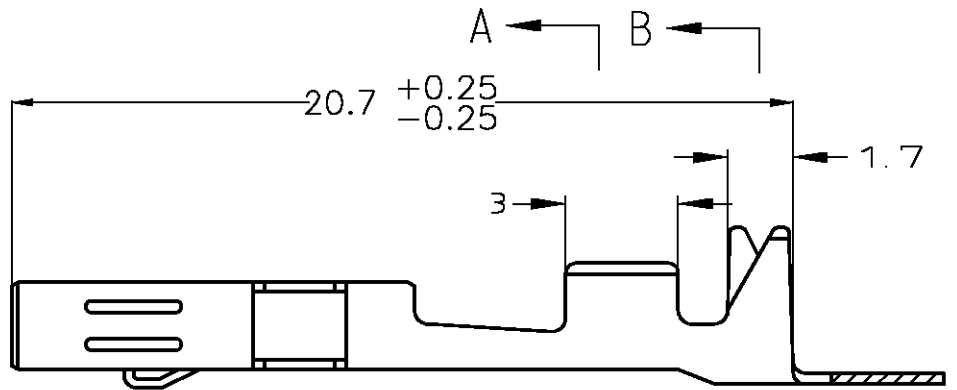
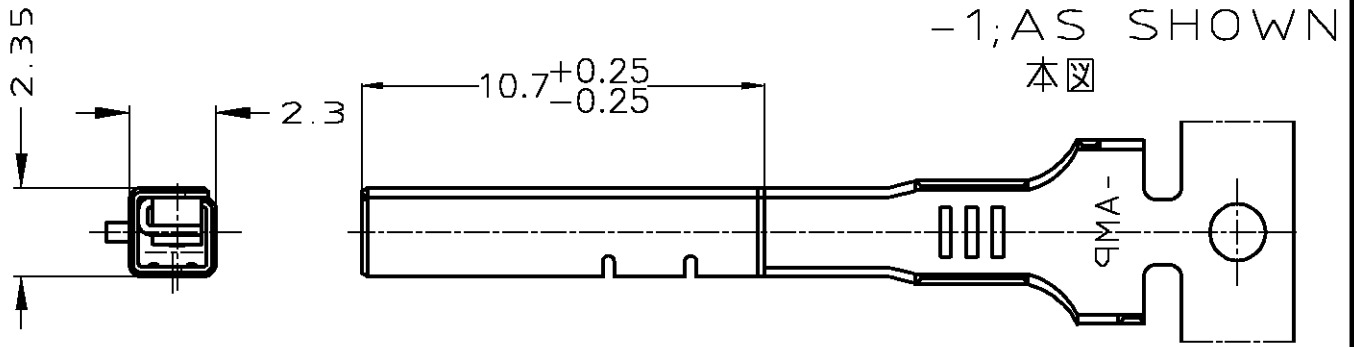
Tel: +86-755-8981 8866 Fax: +86-755-8427 6832

Email & Skype: info@chipsmall.com Web: www.chipsmall.com

Address: A1208, Overseas Decoration Building, #122 Zhenhua RD., Futian, Shenzhen, China



LOC	DIST	REVISIONS			DATE	DWN	APVD
J	—	P	LTR	DESCRIPTION			
		C		REVISED FJ00-0944-01	08MAY01	TS	KO



RELEASED FOR PUBLICATION ,07OCT96

ALL RIGHTS RESERVED.

© COPYRIGHT 1996 BY TYCO ELECTRONICS CORPORATION.

THIS DRAWING IS UNPUBLISHED.

DIMENSIONS: MM		DWN K.BETSUI 04OCT96	WIRE RANGE 包含電線断面積 AVSS/CAVS0.3-0.85	INSULATION DIA 線徑外径 φ1.4-2.0
TOLERANCES UNLESS OTHERWISE SPECIFIED:		CHK K.AOYAMA 04OCT96	MATERIAL Cu ALLOY	FINISH PRE-TIN
0 PLC ± 0.2		APVD K.ODA 04OCT96	<b>AMP</b> Tyco Electronics AMP K.K. Kawasaki, Japan	
1 PLC ± 0.2		PRODUCT SPEC 108-5523		
2 PLC ± 0.2		APPLICATION SPEC 114-5216	NAME .060 SERIES RECEPTACLE CONTACT	
3 PLC ± 0.2		WEIGHT 0.5g	SIZE A4	CAGE CODE 00779
4 PLC ± 0.2		CUSTOMER DRAWING	DRAWING NO C-900293	RESTRICTED TO
ANGLES ± 1			SCALE 5:1	SHEET 1 OF 1
			REV C	