



Chipsmall Limited consists of a professional team with an average of over 10 year of expertise in the distribution of electronic components. Based in Hongkong, we have already established firm and mutual-benefit business relationships with customers from,Europe,America and south Asia,supplying obsolete and hard-to-find components to meet their specific needs.

With the principle of “Quality Parts,Customers Priority,Honest Operation,and Considerate Service”,our business mainly focus on the distribution of electronic components. Line cards we deal with include Microchip,ALPS,ROHM,Xilinx,Pulse,ON,Everlight and Freescale. Main products comprise IC,Modules,Potentiometer,IC Socket,Relay,Connector.Our parts cover such applications as commercial,industrial, and automotives areas.

We are looking forward to setting up business relationship with you and hope to provide you with the best service and solution. Let us make a better world for our industry!



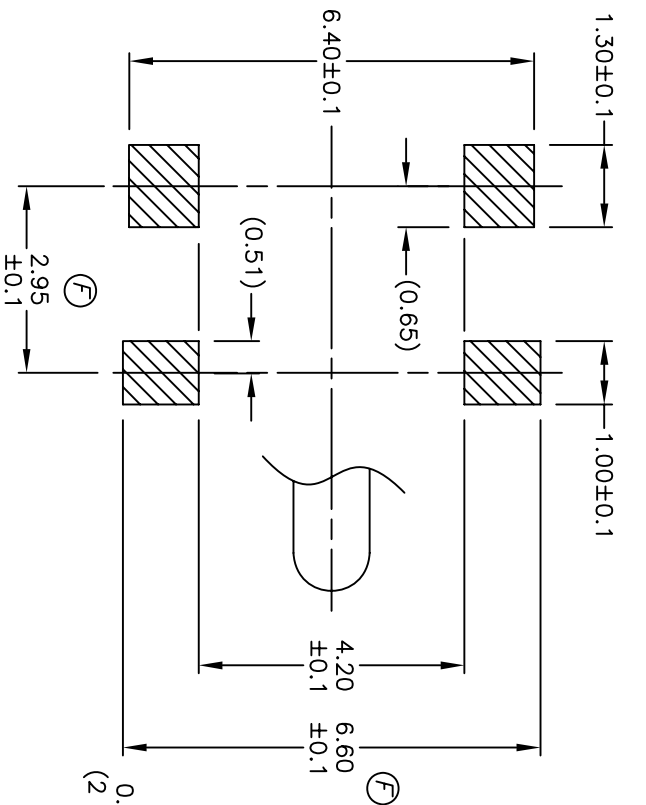
Contact us

Tel: +86-755-8981 8866 Fax: +86-755-8427 6832

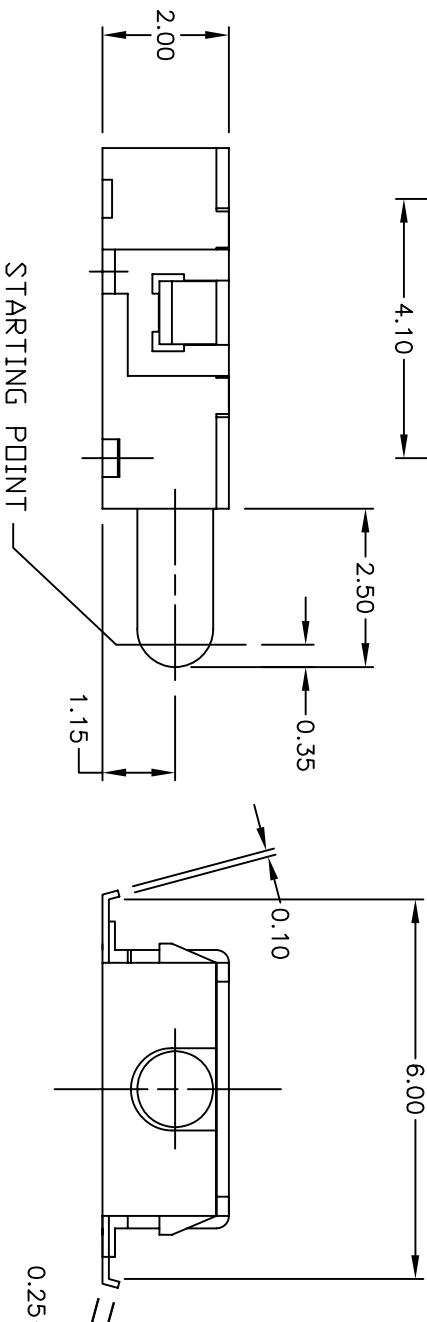
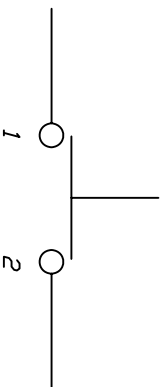
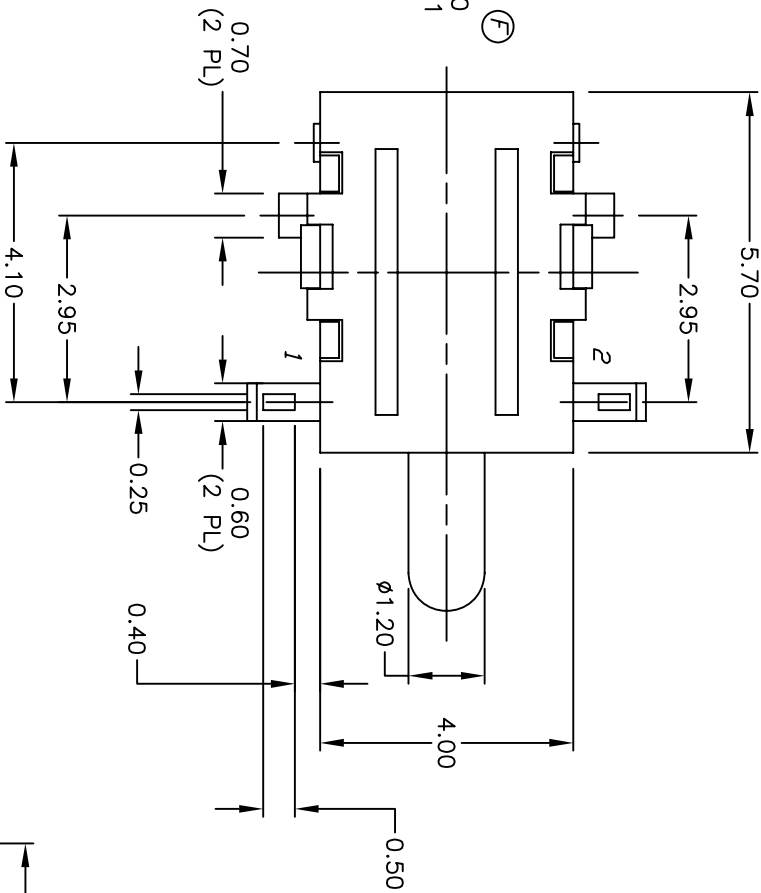
Email & Skype: info@chipsmall.com Web: www.chipsmall.com

Address: A1208, Overseas Decoration Building, #122 Zhenhua RD., Futian, Shenzhen, China





RECOMMENDED P.C.B. LAND
AS VIEW FROM TOP



1. ALL DIMENSIONS IN MM
2. GENERAL TOLERANCE: X.X=±0.4
X.XX=±0.25
3. TERM. NOS. FOR REFERENCE ONLY.
4. ELECTRICAL RATING:
12V DC, 100mA (Resistive Load)
5. ELECTRICAL LIFE:
50,000 Cycles
6. OPERATING FORCE: 50gf max.
7. TRAVEL: 2.0mm max.
8. PACKAGING: TAPE AND REEL, 1900 PIECES PER REEL.

| | | | | | | | | | |
|--|---------|------------------------|---------|------|------------------|---------|-----|---------|-----|
| G | 15120 | REVISED TERMINAL SHAPE | 7/28/05 | RC | | | | | |
| F | 12884 | ADD DIMENSION | 3/5/03 | CJB | | | | | |
| E | 12708 | ADD TOP VIEW, REV SCH. | 1/9/03 | CJB | | | | | |
| D | 12139 | REVISED AND REDRAWN | 5/10/02 | CJB | | | | | |
| REV. | ECN No. | DESCRIPTION | DATE | CHKD | SCALE | DATE | DR | DWG | REV |
| THE INFORMATION CONTAINED IN THIS DOCUMENT IS PROPRIETARY TO E-SWITCH AND IS NOT TO BE COPIED OR TRANSFERRED | | | | | 8:1 | 5/10/02 | CJB | P010900 | G |
| | | | | | E-SWITCH® | | | | |
| | | | | | 900 AG Q | | | | |