



Chipsmall Limited consists of a professional team with an average of over 10 year of expertise in the distribution of electronic components. Based in Hongkong, we have already established firm and mutual-benefit business relationships with customers from,Europe,America and south Asia,supplying obsolete and hard-to-find components to meet their specific needs.

With the principle of “Quality Parts,Customers Priority,Honest Operation,and Considerate Service”,our business mainly focus on the distribution of electronic components. Line cards we deal with include Microchip,ALPS,ROHM,Xilinx,Pulse,ON,Everlight and Freescale. Main products comprise IC,Modules,Potentiometer,IC Socket,Relay,Connector.Our parts cover such applications as commercial,industrial, and automotives areas.

We are looking forward to setting up business relationship with you and hope to provide you with the best service and solution. Let us make a better world for our industry!



Contact us

Tel: +86-755-8981 8866 Fax: +86-755-8427 6832

Email & Skype: info@chipsmall.com Web: www.chipsmall.com

Address: A1208, Overseas Decoration Building, #122 Zhenhua RD., Futian, Shenzhen, China



NOTES:

1. MATERIALS AND FINISHES:

- BODY - STAINLESS STEEL, GOLD PLATING (.000020 THICK MIN.)
- CONTACT - BeCu, GOLD PLATING (.000050 THICK MIN.)
- LOCKWASHER AND NUT - BRASS, GOLD PLATING (.000010 THICK MIN.)
- O-RING - SILICONE
- INSULATOR - PTFE

2. ELECTRICAL:

- A. IMPEDANCE: 50 OHM
- B. FREQUENCY RANGE: DC - 18 GHz
- C. VSWR(RETURN LOSS): 1.10 (26.5 dB), MAX.
- D. DIELECTRIC WITHSTANDING VOLTAGE: 1000 VRMS, MIN.

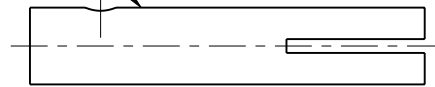
3. MECHANICAL:

- A. DURABILITY: 500 CYCLES MIN.
- B. TEMPERATURE RANGE: -65° C TO +165° C

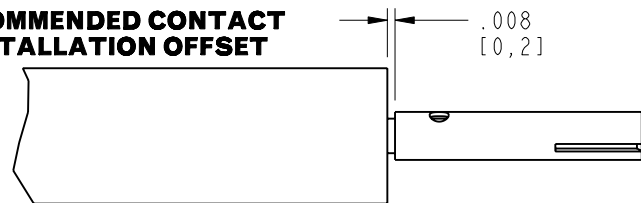
4. PACKAGING:

- A. QUANTITY: BULK PACK (50 PER)
- B. CONTACT, O-RING, LOCKWASHER, AND LOCKNUT ARE SUPPLIED IN THEIR OWN BULK (50 PER) PACKS
- C. MARKING: BULK PACK TO BE MARKED: AMPHENOL 901-10127 DATE CODE (YYWW)

FEMALE CONTACT



RECOMMENDED CONTACT INSTALLATION OFFSET

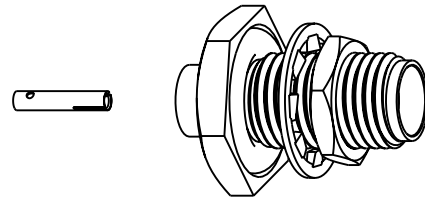


SCALE 5.000

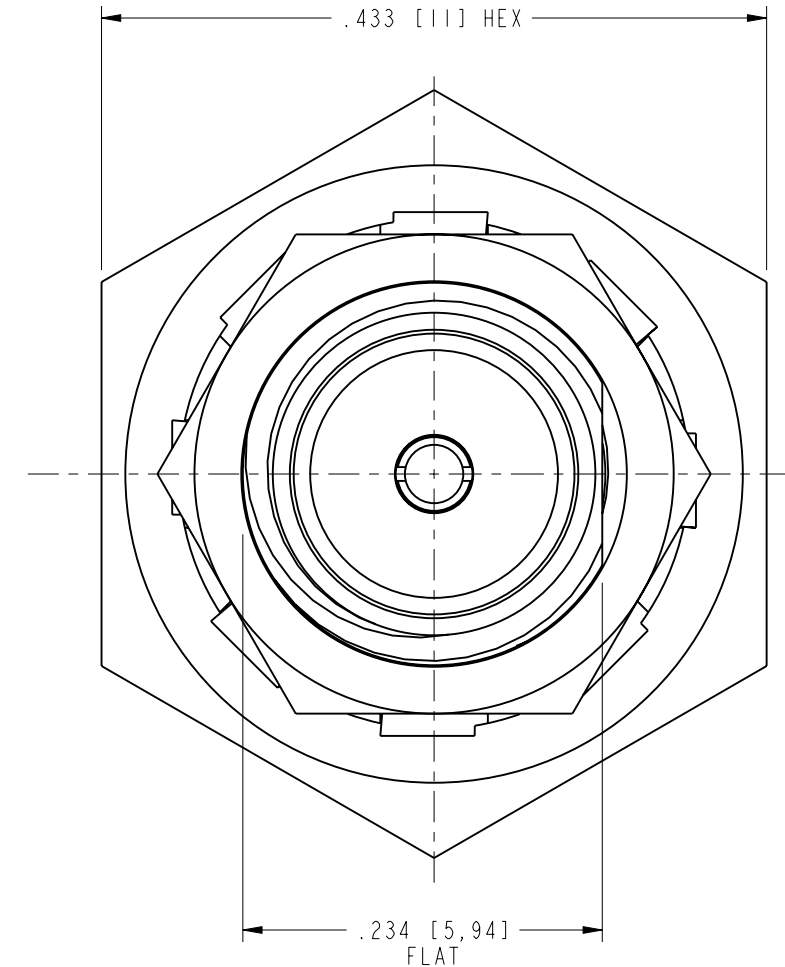
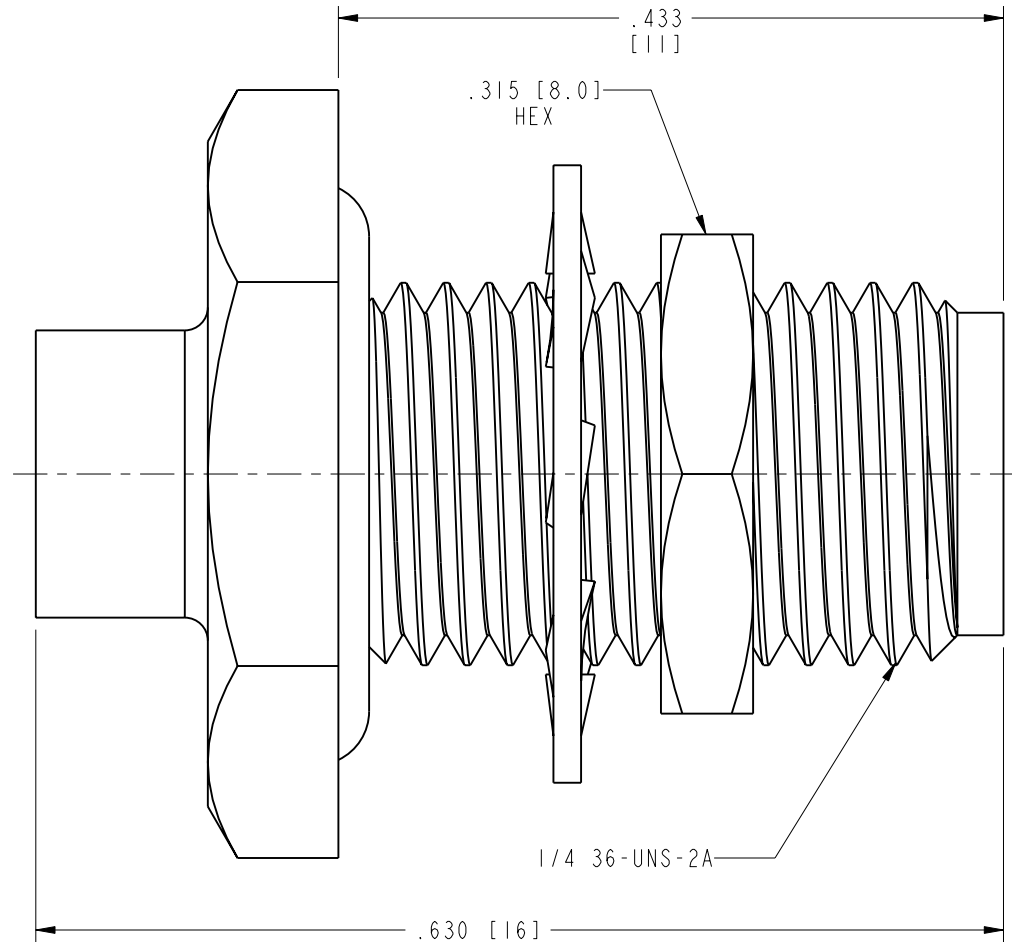
901-10127

DRAWING NO. THIRD ANGLE PROJ.

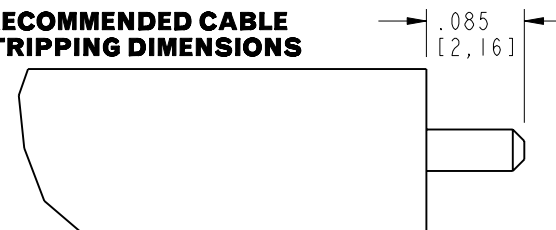
		REVISIONS			
REV	DESCRIPTION	DATE	ECO	APPR	
A	RELEASE TO MFG.	10/23/03	44679	KJC	
B	A) INSULATOR WAS SUPPLIED LOOSE		44742	BCG	
C	SEE ECO.	3/1/04	44833	KJC	
D	CHANGED FROM SINGLE PACK TO BULK PACK	4/29/04	44943		



SCALE 2.000



RECOMMENDED CABLE STRIPPING DIMENSIONS



SCALE 6.000

CUSTOMER OUTLINE DRAWING

ALL OTHER SHEETS ARE FOR INTERNAL USE ONLY

UNLESS OTHERWISE SPECIFIED, DIMENSIONS ARE IN INCHES AND TOLERANCES ARE:
 2 PLACE DECIMAL ±.015 (0,381 mm)
 3 PLACE DECIMAL ±.005 (0,127 mm)
 ANGLES ± 1°

NOTICE - These drawings, specifications, or other data (1) are, and remain the property of Amphenol Corp. (2) must be returned upon request; and (3) are confidential and not to be disclosed to any person other than those to whom they are given by Amphenol Corp. The furnishing of these drawings, specifications, or other data by Amphenol Corp., or to any other person to anyone for any purpose is not to be regarded by implication or otherwise in any manner licensing, granting rights or permitting such holder or any other person to manufacture, use or sell any product, process or design, patented or otherwise, that may in any way be related to or disclosed by said drawings, specifications, or other data.

MATERIAL	DRAWN	DATE	TITLE
	K. CAPOZZI	18-Sep-02	SMA SOLDER TYPE JACK, BULKHEAD FOR SR 141 CABLE
	ENGINEER	DATE	
	K. CAPOZZI	18-Sep-02	
REFERENCE	APPROVED	DATE	
EAR #730	K. CAPOZZI	10/23/03	
615X-1842-100	CAD FILE		
ASSYF61_SMA	I:\SMA\901-10127		

CODE ID	DWG SIZE	DRAWING NO.	REV
74868	B	901-10127	D

SCALE: 8.0:1	SHEET 2 OF 2
--------------	--------------

Amphenol RF
 Danbury, CT, USA
 Tainan, Taiwan
 Shenzhen, China
www.amphenolrf.com