



Chipsmall Limited consists of a professional team with an average of over 10 year of expertise in the distribution of electronic components. Based in Hongkong, we have already established firm and mutual-benefit business relationships with customers from,Europe,America and south Asia,supplying obsolete and hard-to-find components to meet their specific needs.

With the principle of “Quality Parts,Customers Priority,Honest Operation,and Considerate Service”,our business mainly focus on the distribution of electronic components. Line cards we deal with include Microchip,ALPS,ROHM,Xilinx,Pulse,ON,Everlight and Freescale. Main products comprise IC,Modules,Potentiometer,IC Socket,Relay,Connector.Our parts cover such applications as commercial,industrial, and automotives areas.

We are looking forward to setting up business relationship with you and hope to provide you with the best service and solution. Let us make a better world for our industry!



## Contact us

Tel: +86-755-8981 8866 Fax: +86-755-8427 6832

Email & Skype: info@chipsmall.com Web: www.chipsmall.com

Address: A1208, Overseas Decoration Building, #122 Zhenhua RD., Futian, Shenzhen, China



NOTES:

1. MATERIALS OF CONSTRUCTION:

- HOUSING W/ BODY & HEX NUT - BRASS (QQ-B-626), GOLD PLATED (.000003 MIN THICK)
- CONTACT PIN - BERYLLIUM COPPER, GOLD PLATED (.000050 MIN THICK)
- INSULATORS (2) - TEFLON
- CONTACT PIN - BRASS (QQ-B-626), GOLD PLATED (.000050 MIN THICK)
- COVER & LOCK WASHER - BRASS (QQ-B-613), GOLD PLATED (.000003 MIN THICK)

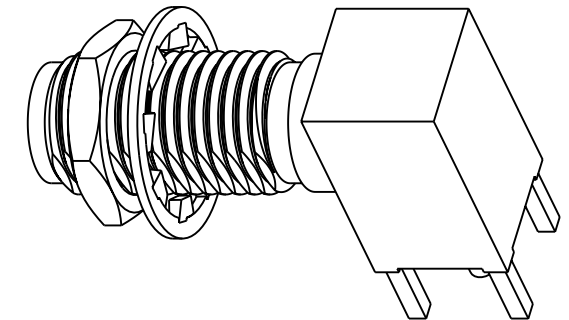
2. MECHANICAL:

- A. DURABILITY: 500 CYCLES MIN.
- B. TEMPERATURE RANGE: -65° C TO +165° C

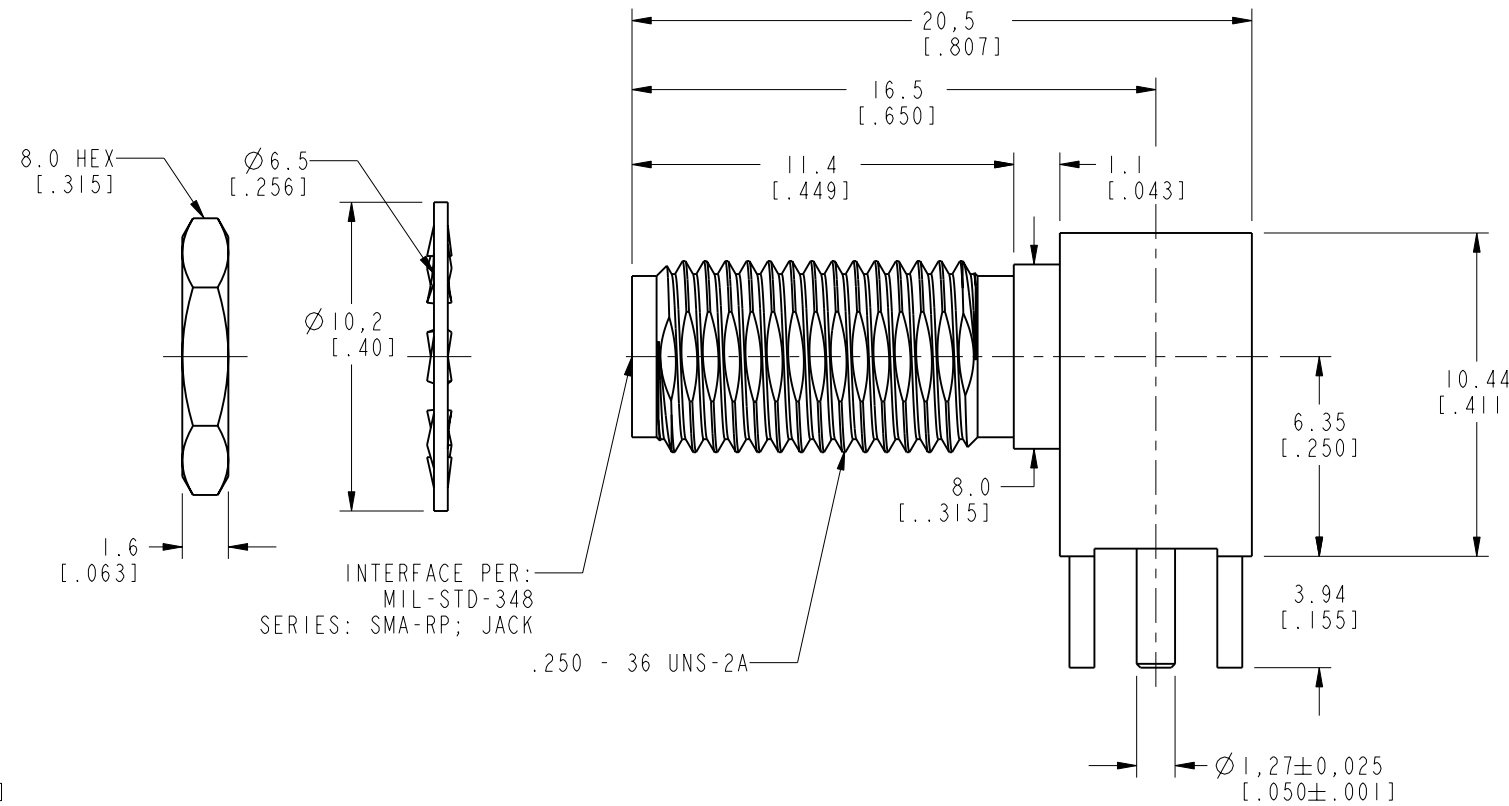
3. PACKAGING:

- A. QUANTITY: SINGLE PACK
- B. MARKING: BAG TO BE MARKED  
"AMPHENOL, 901-10150, AND DATE CODE"

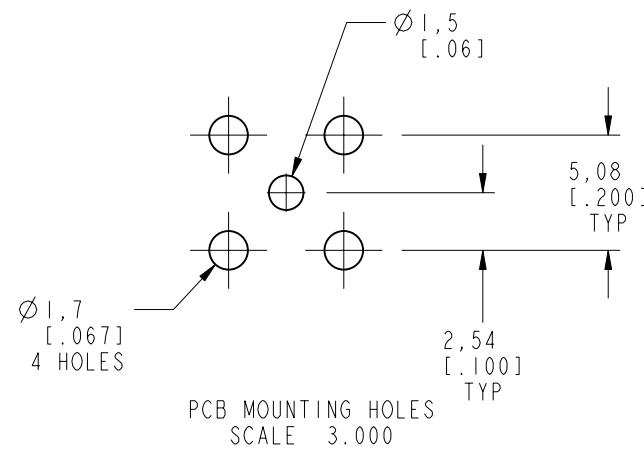
901-10150		REVISIONS			
DRAWING NO.	REV	DESCRIPTION	DATE	ECO	APPR
THIRD ANGLE PROJ.	A	RELEASE TO MFG.	12/1/05	45838	HP



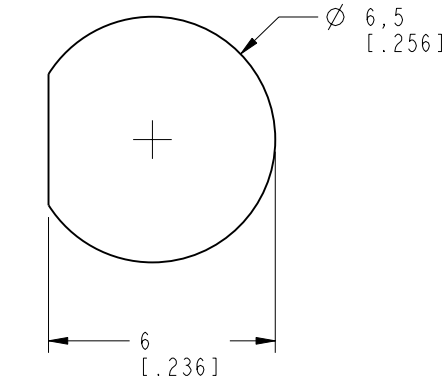
SCALE 3.000



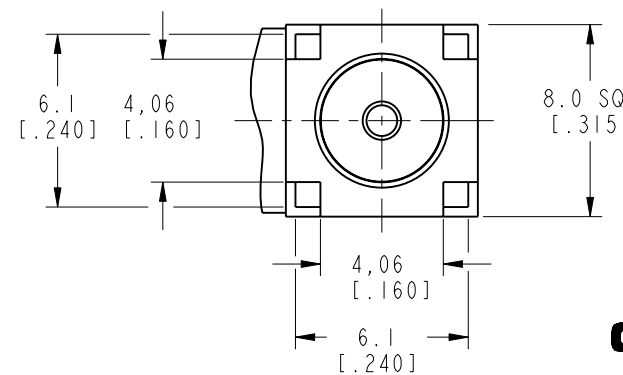
INTERFACE PER:  
MIL-STD-348  
SERIES: SMA-RP; JACK



PCB MOUNTING HOLES  
SCALE 3.000



RECOMMENDED MOUNTING  
HOLE DIMENSIONS  
SCALE 5.000



**CUSTOMER OUTLINE DRAWING**

ALL OTHER SHEETS ARE FOR INTERNAL USE ONLY

**METRIC DRAWING**

UNLESS OTHERWISE SPECIFIED, DIMENSIONS ARE METRIC AND TOLERANCES ARE: 1 PLACE DECIMAL ± 0.3MM (.012") 2 PLACE DECIMAL ± .10 MM (.004") ANGLES ± 1°	MATERIAL	DRAWN H. PARIKH	DATE 29-Nov-05	TITLE ASSEMBLY R/A SMA-RP, PCB JACK		Amphenol RF Danbury, CT, USA Tainan, Taiwan Shenzhen, China www.amphenolrf.com	
	REFERENCE 1443 XXX	ENGINEER H. PARIKH	DATE 29-Nov-05				
NOTICE - These drawings, specifications, or other data (1) are, and remain the property of Amphenol corp. (2) must be returned upon request; and (3) are confidential and not to be disclosed to any person other than those to whom they are given by Amphenol Corp. the furnishing of these drawings, specifications, or other data by Amphenol Corp., or to any other person to anyone for any purpose is not to be regarded by implication or otherwise in any manner licensing, granting rights to permitting such holder or any other person to manufacture, use or sell any product, process or design, patented or otherwise, that may in any way be related to or disclosed by said drawings, specifications, or other data.	CONFIGURATION LEVEL: Prototype	APPROVED O. BARTHELME	DATE 12/1/05	CODE ID 74868	DWG SIZE B	DRAWING NO. 901-10150	REV A
							SCALE: 4.0:1.0