



Chipsmall Limited consists of a professional team with an average of over 10 year of expertise in the distribution of electronic components. Based in Hongkong, we have already established firm and mutual-benefit business relationships with customers from,Europe,America and south Asia,supplying obsolete and hard-to-find components to meet their specific needs.

With the principle of “Quality Parts,Customers Priority,Honest Operation,and Considerate Service”,our business mainly focus on the distribution of electronic components. Line cards we deal with include Microchip,ALPS,ROHM,Xilinx,Pulse,ON,Everlight and Freescale. Main products comprise IC,Modules,Potentiometer,IC Socket,Relay,Connector.Our parts cover such applications as commercial,industrial, and automotives areas.

We are looking forward to setting up business relationship with you and hope to provide you with the best service and solution. Let us make a better world for our industry!



Contact us

Tel: +86-755-8981 8866 Fax: +86-755-8427 6832

Email & Skype: info@chipsmall.com Web: www.chipsmall.com

Address: A1208, Overseas Decoration Building, #122 Zhenhua RD., Futian, Shenzhen, China



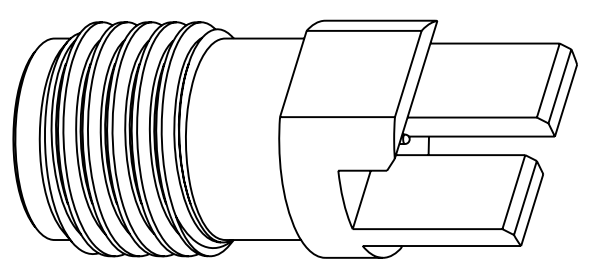
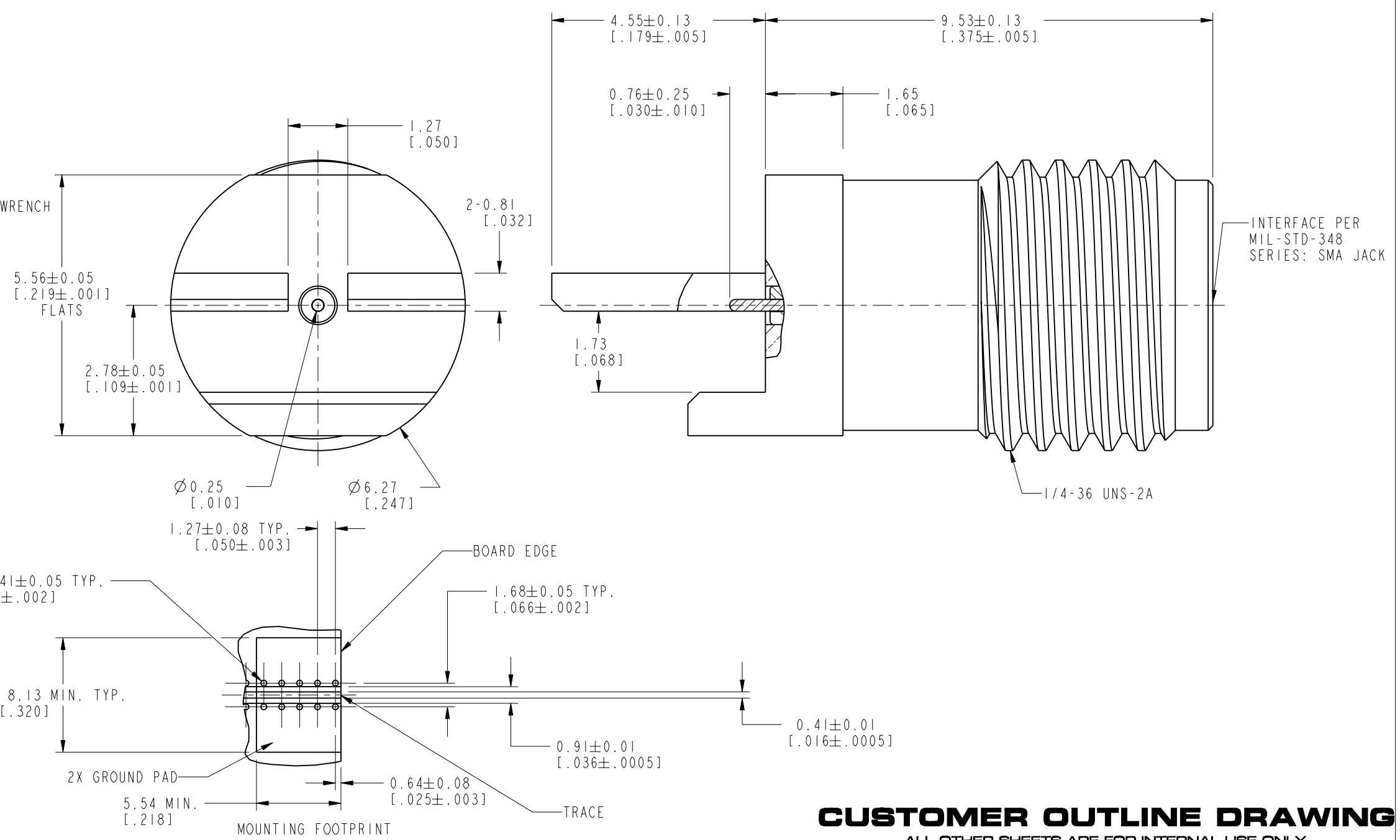
NOTES:

1. MATERIALS AND FINISHES:
 - BODY - BRASS, GOLD PLATING
 - CONTACT - BeCu, GOLD PLATING
 - INSULATOR - PTFE
2. ELECTRICAL:
 - A. IMPEDANCE: 50 OHM
 - B. FREQUENCY RANGE: 0-26.5 GHz
 - C. VSWR: 1.05+0.02 f (GHz) MAX. @ 0-18 GHz
1.5 MAX. @ 18-26.5 GHz
 - C. D.W.V: 500 VRMS.
 - D. INSULATION RESISTANCE: 1000 MΩ MIN.
 - E. CONTACT RESISTANCE:
 - CENTER CONATCT - INITIAL 3.0 MΩ MAX.
AFTER ENVIRONMENTAL 4.0 MΩ MAX.
 - OUTER CONATCT - INITIAL 2.0 MΩ MAX.
AFTER ENVIRONMENTAL NOT APPLICABLE
3. MECHANICAL:
 - A. DURABILITY: 500 CYCLES MIN.
 - B. TEMPERATURE RANGE: -65°C TO +165°C
 - C. ENGAGE/DISENGAGE TORQUE: 2 INCH-LBS MIN.
 - D. MATING TORQUE: 7-10 IN-LBS WHEN BODY SUPPORTED WITH WRENCH
8 IN-LBS MAX. UNSUPPORTED
 - E. CONTACT RETENTION: 4 LBS MIN. AXIAL FORCE ON PCB END
4 IN-OZ MIN. RADIAL TORQUE
4. PACKAGING:
 - A. QUANTITY: SINGLE PACK
 - B. MARKING: BAG TO BE MARKED
"AMPHENOLRF, 901-10511-2, AND DATE CODE"

THIRD ANGLE PROJ.

REVISIONS

| REV | DESCRIPTION | DATE | ECO | APPR |
|-----|-----------------|-----------|-------|------|
| A | RELEASE TO MFG. | 11-Jul-16 | 01361 | KCE |



CUSTOMER OUTLINE DRAWING
ALL OTHER SHEETS ARE FOR INTERNAL USE ONLY

| | | | | | |
|--|------------------------------|-------------------|----------------|--|-----------------------------------|
| UNLESS OTHERWISE SPECIFIED, DIMENSIONS ARE IN METRIC AND TOLERANCES ARE: <0.5mm ±0.05mm 0.5 - 6mm ±0.1mm 6 - 30mm ±0.2mm 30 - 120mm ±0.3mm ANGLES ±1° | MATERIAL SEE NOTES | DRAWN M. ZHANG | DATE 11-Jul-16 | TITLE HIGH FREQ END LAUNCH SMA JACK ASSEMBLY, PC MOUNT, 10 MIL PIN | Amphenol RF www.amphenolrf.com |
| | REFERENCE EAR# 6471 | ENGINEER K. ELMES | DATE 2/10/16 | | |
| | CONFIGURATION LEVEL: In Work | APPROVED S. HSIEH | DATE 11-Jul-16 | SCALE: 8.0:1.0 SHEET 2 OF 2 | ITEM NO. 901-10511-2 |
| | FINISH | CAD FILE | | DWG SIZE B REV A | PART NO. 901-10511-2 |

NOTICE - These drawings, specifications, or other data (1) are, and remain the property of Amphenol corp. (2) must be returned upon request; and (3) are confidential and not to be disclosed to any person other than those to whom they are given by Amphenol Corp. the furnishing of these drawings, specifications, or other data by Amphenol Corp., or to any other person to anyone for any purpose is not to be regarded by implication or otherwise in any manner licensing, granting rights to permitting such holder or any other person to manufacture, use or sell any product, process or design, patented or otherwise, that may in any way be related to or disclosed by said drawings, specifications, or other data.