



Chipsmall Limited consists of a professional team with an average of over 10 year of expertise in the distribution of electronic components. Based in Hongkong, we have already established firm and mutual-benefit business relationships with customers from,Europe,America and south Asia,supplying obsolete and hard-to-find components to meet their specific needs.

With the principle of “Quality Parts,Customers Priority,Honest Operation,and Considerate Service”,our business mainly focus on the distribution of electronic components. Line cards we deal with include Microchip,ALPS,ROHM,Xilinx,Pulse,ON,Everlight and Freescale. Main products comprise IC,Modules,Potentiometer,IC Socket,Relay,Connector.Our parts cover such applications as commercial,industrial, and automotives areas.

We are looking forward to setting up business relationship with you and hope to provide you with the best service and solution. Let us make a better world for our industry!



Contact us

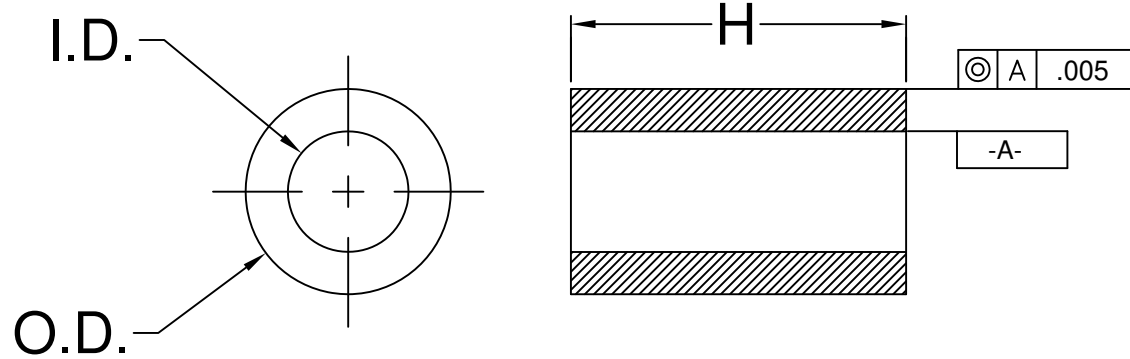
Tel: +86-755-8981 8866 Fax: +86-755-8427 6832

Email & Skype: info@chipsmall.com Web: www.chipsmall.com

Address: A1208, Overseas Decoration Building, #122 Zhenhua RD., Futian, Shenzhen, China



REV.	DESCRIPTION	DATE	APPROVED
F	Updated Material.	10/28/08	T. Y.
G	Added Ordering Information.	06/06/11	T. Y.
H	Removed Part Numbers from Part Offering List.	05/06/15	J. C.
J	Updated Material Description.	10/09/15	J. C.
K	Engineering Update w/o Changes.	10/22/15	J. C.



SERIES	"H" DIMENSION	I.D.	O.D.
901	.030-1.250 (.76-31.8)	.028 (.71)	.085 (2.2)
902	.030-1.250 (.76-31.8)	.032 (.81)	.125 (3.2)
903	.030-1.250 (.76-31.8)	.047 (1.2)	.156 (4.0)
904	.030-1.250 (.76-31.8)	.063 (1.6)	.187 (4.7)
905	.030-1.250 (.76-31.8)	.147 (3.7)	.250 (6.4)
906	.030-1.250 (.76-31.8)	.085 (2.2)	.148 (3.8)
907	.030-1.250 (.76-31.8)	.105 (2.7)	.167 (4.2)
908	.030-1.250 (.76-31.8)	.125 (3.2)	.187 (4.7)
911	.030-1.250 (.76-31.8)	.125 (3.2)	.250 (6.4)
912	.030-1.250 (.76-31.8)	.171 (4.3)	.250 (6.4)
913	.030-1.250 (.76-31.8)	.091 (2.3)	.187 (4.7)
937	.030-1.250 (.76-31.8)	.090 (2.3)	.125 (3.2)
938	.030-1.250 (.76-31.8)	.032 (.81)	.085 (2.2)
939	.030-1.250 (.76-31.8)	.047 (1.2)	.125 (3.2)
940	.030-1.250 (.76-31.8)	.063 (1.6)	.156 (4.0)

ORDERING INFORMATION:

9XX-XXX

SERIES LENGTH
 INCHES, MULTIPLES OF .005"
 .030" = 030
 .100" = 100
 1.250" = 1.250

WHOLE MILLIMETERS
 2mm = 2MM
 5mm = 5MM

3. TOLERANCE "H" DIMENSION:
 0.030 - 0.500 (1.0 - 12.7mm)±0.005(0.1mm)
 0.505 - 0.750 (12.8 - 19.1mm)±0.008(0.2mm)
 0.755 - 1.250 (19.2 - 31.8mm)±0.015(0.4mm)
2. MATERIAL: NYLON 6, ULTRAMID 8270 HS, NATURAL. BIVAR MATERIAL CODE 01-NL-WE.
 ALLIED CHEMICAL POLYAMID NYLON 6 WITH CLARIANT CNY02655 WHITE NYLON CONCENTRATE.
1. GENERAL SPECIFICATIONS: BIVAR EXTRUDED PRODUCT SPECIFICATION BV00-E103.

STANDARD TOLERANCE (UNLESS OTHERWISE SPECIFIED)		 4 THOMAS, IRVINE, CA. 92618 TEL: (949) 951-8808 FAX: (949) 951-3974	
DECIMALS	ANGULAR		
.X ±.1	X° ±1°	TITLE: NYLON TUBE SPACERS	
.XX ±.01			
.XXX ±.005			
DESIGNED: Michael Chen	DATE: 01/13/03	PART NO: 9XX-XXX	REVISION: K
CHECKED: D. Green	DATE: 01/13/03	CAGE CODE : 32559	SHEET # 1 OF 1
CAD GENERATED DOCUMENT. DO NOT MEASURE DRAWING.			