



Chipsmall Limited consists of a professional team with an average of over 10 year of expertise in the distribution of electronic components. Based in Hongkong, we have already established firm and mutual-benefit business relationships with customers from,Europe,America and south Asia,supplying obsolete and hard-to-find components to meet their specific needs.

With the principle of “Quality Parts,Customers Priority,Honest Operation,and Considerate Service”,our business mainly focus on the distribution of electronic components. Line cards we deal with include Microchip,ALPS,ROHM,Xilinx,Pulse,ON,Everlight and Freescale. Main products comprise IC,Modules,Potentiometer,IC Socket,Relay,Connector.Our parts cover such applications as commercial,industrial, and automotives areas.

We are looking forward to setting up business relationship with you and hope to provide you with the best service and solution. Let us make a better world for our industry!



Contact us

Tel: +86-755-8981 8866 Fax: +86-755-8427 6832

Email & Skype: info@chipsmall.com Web: www.chipsmall.com

Address: A1208, Overseas Decoration Building, #122 Zhenhua RD., Futian, Shenzhen, China

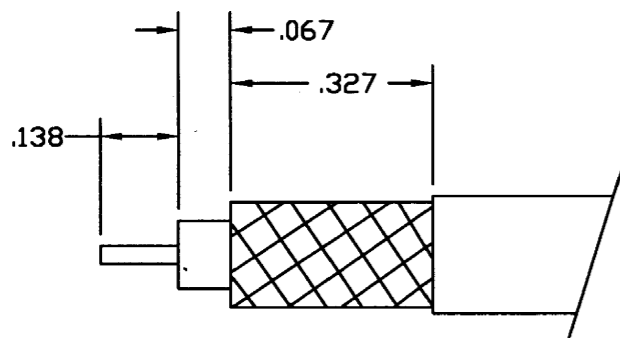
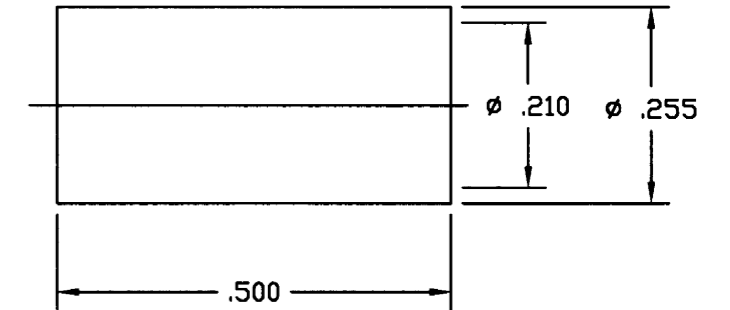
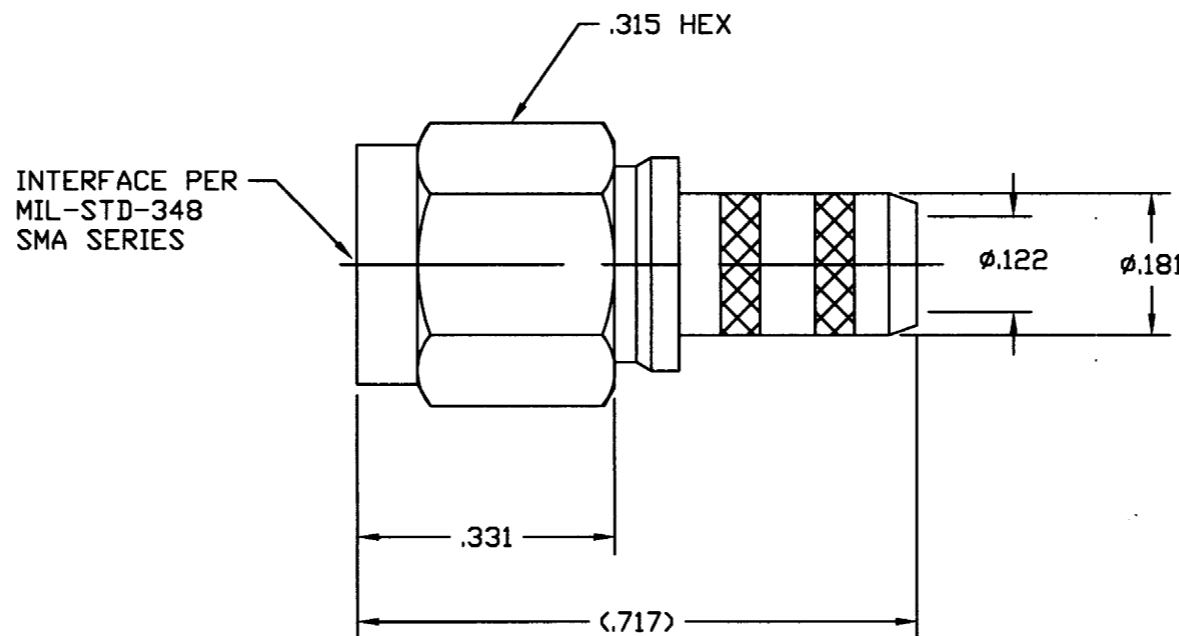


NOTES:

- DO NOT SCALE THIS DRAWING.
- MATERIALS OF CONSTRUCTION:**
 SHELL, BODY = BRASS (ASTM-B16 H02, C36000), GOLD PLATED (.000003 MIN)
 CONTACT PIN - BRASS (ASTM-B16 H02, C36000), GOLD PLATED (.000050 MIN)
 INSULATOR - PTFE ASTM D 1710 OR EQUIV.
 GASKET - SILICONE RUBBER, COLOR RED.
 CRIMP FERRULE - COPPER ALLOY, GOLD PLATED (.000003 MIN)
 RETAINER RING = BeCu (QQ-C-530), NATURAL
- PERFORMANCE REQUIREMENTS:**
ELECTRICAL:
 FREQUENCY RANGE - DC TO 12.4 GHz
 VSWR - 1.150 + (.01 X F IN GHz)
 DWV - 1000 VRMS

MECHANICAL:
 CENTER CONTACT RETENTION - 4 LBS MIN (AFTER ASSEMBLY)

| | | | | | |
|-------------------|-----|--|---------|-------|--------|
| 901-9870 | | REVISIONS | | | |
| DRAWING NO. | REV | DESCRIPTION | DATE | ECO | APPR |
| THIRD ANGLE PROJ. | A | OFFICIAL ENG. RELEASE TO MFG. | 4/4/95 | 40347 | PB/RAV |
| | B | REDRAWN ON AUTO-CAD; ALL NOTES REWRITTEN & UPDATED | 8/28/96 | 41528 | CPM/ |
| | C | UPDATED MATERIALS NOTE AND KJ# | 8-21-02 | 44182 | CPM/ |



CABLE STRIPPING DIM'S

CUSTOMER OUTLINE DRAWING
 ALL OTHER SHEETS ARE FOR INTERNAL USE ONLY

| | | | | | |
|---|---|---|---|---|-------------------------------------|
| UNLESS OTHERWISE SPECIFIED, DIMENSIONS ARE IN INCHES AND TOLERANCES ARE: 2 PLACE DECIMAL ±.015 (0,381 mm) 3 PLACE DECIMAL ±.005 (0,127 mm) ANGLES ± 1° | MATERIAL | DRAWN P. BRENZEL DATE 12/8/94 ENGINEER RAV DATE 3/31/95 APPROVED B. GLEISSNER DATE 8/23/96 | TITLE SMA PLUG CRIMP TYPE FOR RG-58/U | Amphenol Amphenol Corporation RF/Microwave Operations Danbury, Conn. U.S.A. 06810 | |
| | NOTICE - These drawings, specifications, or other data (1) are, and remain the property of Amphenol Corp. (2) must be returned upon request; and (3) are confidential and not to be disclosed to any person other than those to whom they are given by Amphenol Corp. The furnishing of these drawings, specifications, or other data by Amphenol Corp., or to any other person to anyone for any purpose is not to be regarded by implication or otherwise in any manner licensing, granting rights or permitting such holder or any other person to manufacture, use or sell any product, process or design, patented or otherwise, that may in any way be related to or disclosed by said drawings, specifications, or other data. | REFERENCE EAR 111-964413 EAR 966275-0 | CAD FILE H:\PETE\SMA\901\ASSY\9870000C | CODE ID 74868 DWG SIZE B DRAWING NO. 901-9870 | SCALE: 4:1 SHEET 2 OF 2 REV C |