



Chipsmall Limited consists of a professional team with an average of over 10 year of expertise in the distribution of electronic components. Based in Hongkong, we have already established firm and mutual-benefit business relationships with customers from,Europe,America and south Asia,supplying obsolete and hard-to-find components to meet their specific needs.

With the principle of “Quality Parts,Customers Priority,Honest Operation,and Considerate Service”,our business mainly focus on the distribution of electronic components. Line cards we deal with include Microchip,ALPS,ROHM,Xilinx,Pulse,ON,Everlight and Freescale. Main products comprise IC,Modules,Potentiometer,IC Socket,Relay,Connector.Our parts cover such applications as commercial,industrial, and automotives areas.

We are looking forward to setting up business relationship with you and hope to provide you with the best service and solution. Let us make a better world for our industry!



## Contact us

Tel: +86-755-8981 8866 Fax: +86-755-8427 6832

Email & Skype: info@chipsmall.com Web: www.chipsmall.com

Address: A1208, Overseas Decoration Building, #122 Zhenhua RD., Futian, Shenzhen, China



**NOTES:**

- DO NOT SCALE THIS DRAWING.
- MATERIALS OF CONSTRUCTION:**  
 SHELL, HOUSING, COVER - BRASS (ASTM-B16 H02, C36000), GOLD PLATED (.000003 MIN)  
 CONTACT PIN - BRASS (ASTM-B16 H02, C36000) , GOLD PLATED (.000050 MIN)  
 INSULATOR - PTFE, ASTM D 1710 OR EQUIV  
 GASKET - SILICONE RUBBER, COLOR RED  
 CRIMP FERRULE - COPPER ALLOY, GOLD PLATED (.000003 MIN)  
 RETAINER RING = BeCu (QQ-C-530), NATURAL  
 HEAT SHRINK TUBING

**3. PERFORMANCE REQUIREMENTS:**

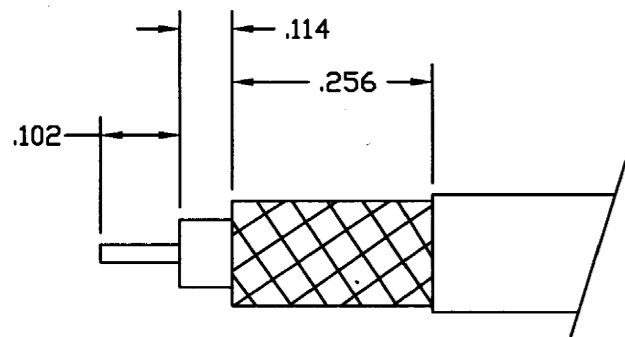
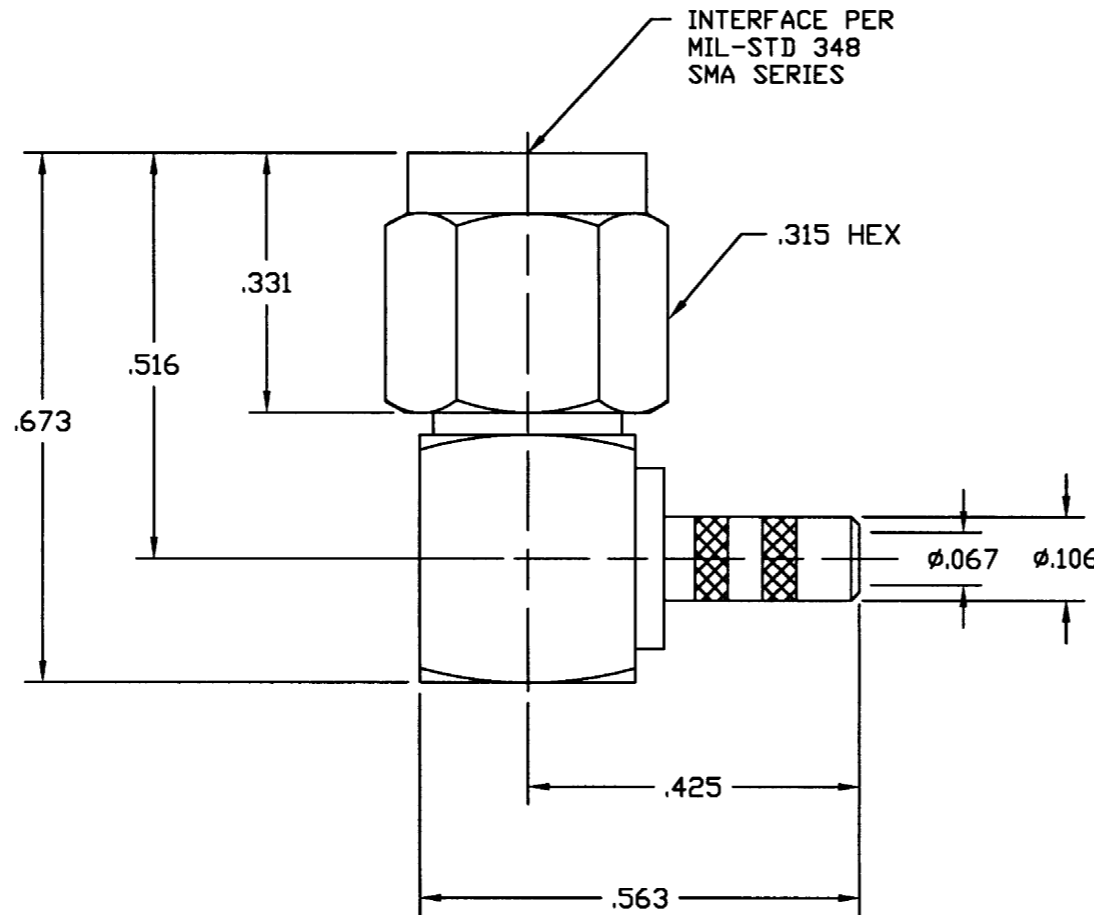
ELECTRICAL:

FREQUENCY RANGE - DC TO 12.4 GHz  
 VSWR - 1.500:1 MAX  
 DWV - 750 VRMS

MECHANICAL:

CENTER CONTACT RETENTION - 4 LBS MIN

|                   |     |  |          |       |        |
|-------------------|-----|--|----------|-------|--------|
| 901-9872          |     | REVISIONS  |          |       |        |
| DRAWING NO.       | REV | DESCRIPTION  | DATE     | ECO   | APPR   |
| THIRD ANGLE PROJ. | A   | OFFICIAL ENG. RELEASE TO MFG.                      | 4/7/95   | 40349 | PB/RAV |
|                   | B   | REDRAWN ON AUTO-CAD; ALL NOTES REWRITTEN & UPDATED | 8/28/96  | 41519 | CPM/BG |
|                   | C   | SEE SHEET 1  | 12/17/98 | 41519 | CPM/   |
|                   | D   | SEE SHEET 1  | 8-21-02  | 44182 | CPM/   |



CABLE STRIPPING DIM'S

CUSTOMER OUTLINE DRAWING  
 ALL OTHER SHEETS ARE FOR INTERNAL USE ONLY

|   |   |   |  |   |  |
|---|---|---|--|---|--|
| UNLESS OTHERWISE SPECIFIED, DIMENSIONS ARE IN INCHES AND TOLERANCES ARE:<br>2 PLACE DECIMAL ±.015 (0,381 mm)<br>3 PLACE DECIMAL ±.005 (0,127 mm)<br>ANGLES ± 1° | MATERIAL                                    | DRAWN P. BRENZEL<br>ENGINEER RAV<br>APPROVED B. GLEISSNER<br>CAD FILE H:\PETE\SMA\901\ASSY\9872000C | DATE 12/8/94<br>DATE 3/31/95<br>DATE 8/23/96 | TITLE SMA PLUG<br>RIGHT ANGLE<br>CRIMP TYPE<br>FOR RG-174/U | Amphenol<br>Amphenol Corporation<br>RF/Microwave Operations<br>Danbury, Conn. U.S.A. 06810 |
|   | REFERENCE<br>EAR 111-964413<br>EAR 966277-0 | CODE ID 74868<br>DWG SIZE B<br>DRAWING NO. 901-9872   | SCALE: 4:1<br>SHEET 2 OF 2<br>REV D          |   |  |