



Chipsmall Limited consists of a professional team with an average of over 10 year of expertise in the distribution of electronic components. Based in Hongkong, we have already established firm and mutual-benefit business relationships with customers from,Europe,America and south Asia,supplying obsolete and hard-to-find components to meet their specific needs.

With the principle of “Quality Parts,Customers Priority,Honest Operation,and Considerate Service”,our business mainly focus on the distribution of electronic components. Line cards we deal with include Microchip,ALPS,ROHM,Xilinx,Pulse,ON,Everlight and Freescale. Main products comprise IC,Modules,Potentiometer,IC Socket,Relay,Connector.Our parts cover such applications as commercial,industrial, and automotives areas.

We are looking forward to setting up business relationship with you and hope to provide you with the best service and solution. Let us make a better world for our industry!



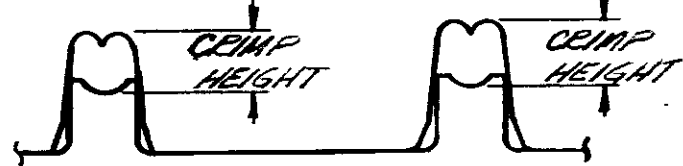
Contact us

Tel: +86-755-8981 8866 Fax: +86-755-8427 6832

Email & Skype: info@chipsmall.com Web: www.chipsmall.com

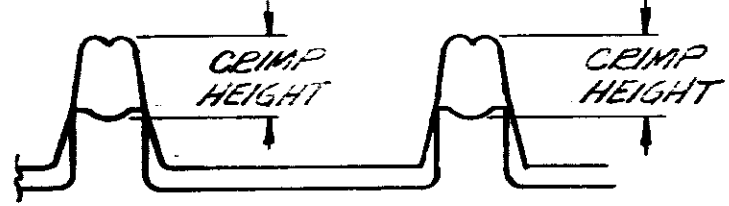
Address: A1208, Overseas Decoration Building, #122 Zhenhua RD., Futian, Shenzhen, China





SYMBOL 14-12 SYMBOL 10

WIRE CRIMP				TERMINAL CRIMP HEIGHT
CRIMP SYMBOL	DIM	GO	NO GO	
14-12	F	.0724	.0774	SEE
	D	.0873	.0914	BELOW
10	F	.0934	.1034	SEE
	D	.1094	.1138	BELOW



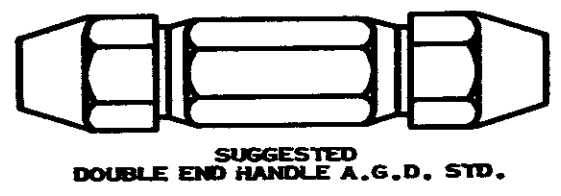
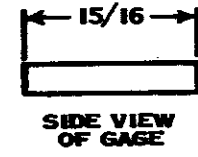
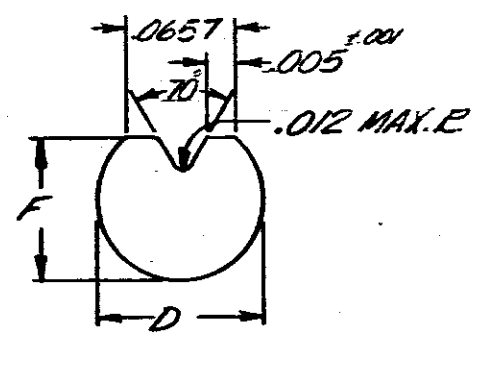
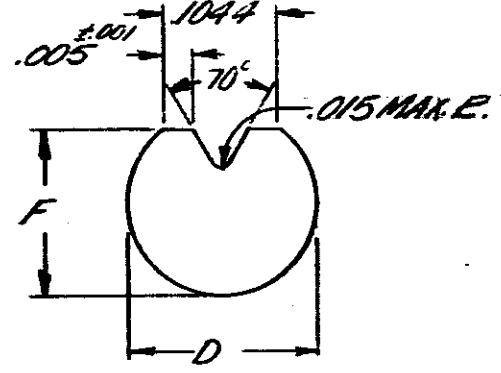
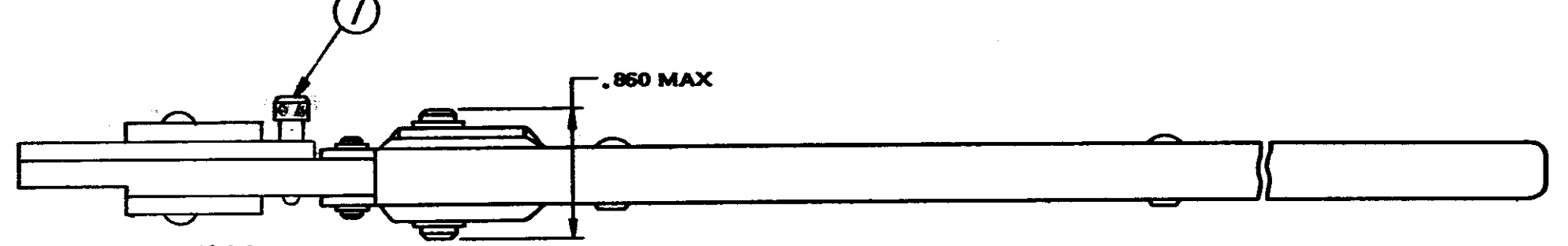
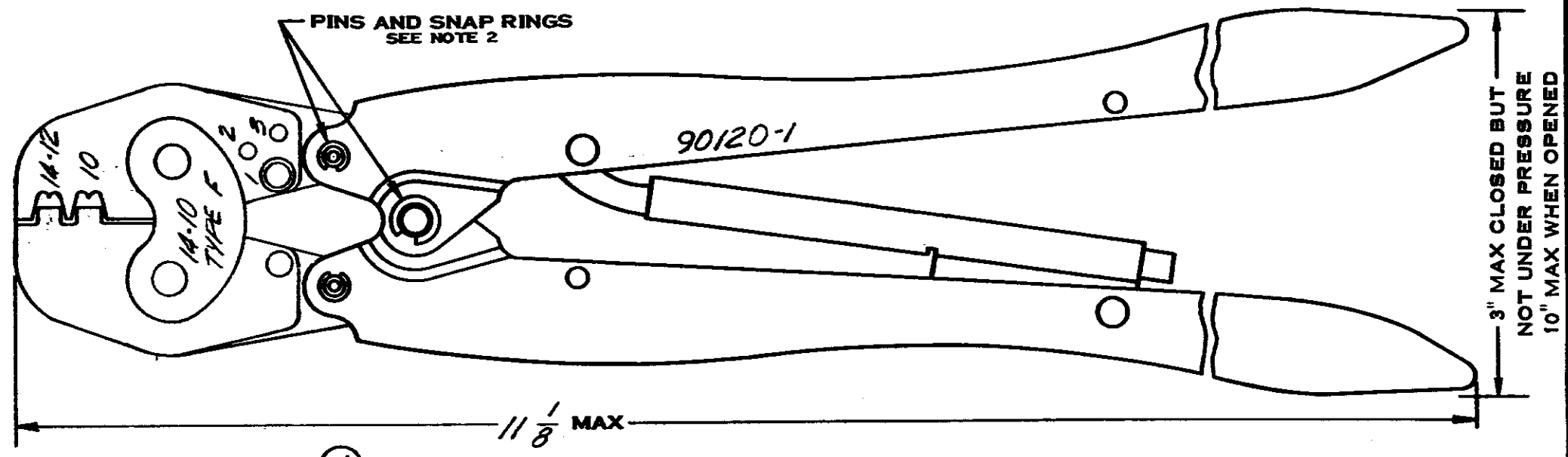
SYMBOL 10 SYMBOL 14-12

INSULATION CRIMP				TERMINAL CRIMP HEIGHT
CRIMP SYMBOL	DIM	GO	NO GO	
14-12	F	.1509	.1667	++
	D	.1695	.1850	-++
10	F	.1509	.1667	+
	D	.1695	.1850	-++

SEE NOTE #6

WIRE SIZE	TERMINAL CRIMP HEIGHT
14	.0925
	.0805
12	.0975
	.0850
10	.1140
	.1020

INACTIVE,
REFER TO
IS SHEET 7157
11/8/77



INSULATION CRIMPS
CRIMP SYMBOLS 14-12 & 10
WIRE CRIMPS
CRIMP SYMBOL 14-12 & 10
ENLARGED END VIEWS OF GAGES

INACTIVE
11/8/77 SEE I.S. - 7157

SUGGESTED GAGE DESIGN

					NUMBER C-90120

- CRIMP GAGE DIMENSIONS APPLY WHEN TOOL IS CLOSED OR BOTTOMED BUT NOT UNDER PRESSURE.
- FOR REPLACEMENT OF PARTS SUCH AS PINS AND SNAP RINGS, ORDER REPAIR KIT NO. 125218-4.
- FOR REPLACEMENT OF PARTS OTHER THAN PINS AND SNAP RINGS, TOOL IS TO BE RETURNED TO AMP INC., HARRISBURG, PENNA. TO INSURE PROPER CERTI-CRIMP ADJUSTMENT.
- FOR TOOL USAGE, SEE INSTRUCTION SHEET NO. 7157.
- HAND TOOL CAN BE CHECKED BY MEASURING TERMINAL CRIMP HEIGHT.
- GAGE DIMENSIONS ARE MEASURED WITH INSULATION ADJUSTMENT PIN IN #1 POSITION.

1	39207	PIN-ADJUSTMENT		1
NO. REQD.	NUMBER	NAME		ITEM NO.
©1968 BY AMP INCORPORATED. ALL RIGHTS RESERVED. AMP PRODUCTS COVERED BY PATENTS AND/OR PATENTS PENDING.		CUSTOMER COPY REFERENCE ONLY		
OR R. Canty 4/23/64	MATERIAL-STEEL	AMP INCORPORATED HARRISBURG PENNA.		
CHK S. Dried 4/30/64	FINISH-BLACK OXIDE			
DR J. G. Burtis 4/30/64	WEIGHT-1 LBS. 3 OZ.	CLASS	TYPE	
APP J. M. Long 4/30/64	WIRE - RANGE - INSULATION	TOLERANCE EXCEPT AS NOTED	SCALE	LOC
	++	++	++	R B
				NO
				C-90120
				REV
				A
NAME		DOUBLE ACTION HAND TOOL		

DIMENSIONS IN INCHES DO NOT SCALE PRINT