



Chipsmall Limited consists of a professional team with an average of over 10 year of expertise in the distribution of electronic components. Based in Hongkong, we have already established firm and mutual-benefit business relationships with customers from,Europe,America and south Asia,supplying obsolete and hard-to-find components to meet their specific needs.

With the principle of “Quality Parts,Customers Priority,Honest Operation,and Considerate Service”,our business mainly focus on the distribution of electronic components. Line cards we deal with include Microchip,ALPS,ROHM,Xilinx,Pulse,ON,Everlight and Freescale. Main products comprise IC,Modules,Potentiometer,IC Socket,Relay,Connector.Our parts cover such applications as commercial,industrial, and automotives areas.

We are looking forward to setting up business relationship with you and hope to provide you with the best service and solution. Let us make a better world for our industry!



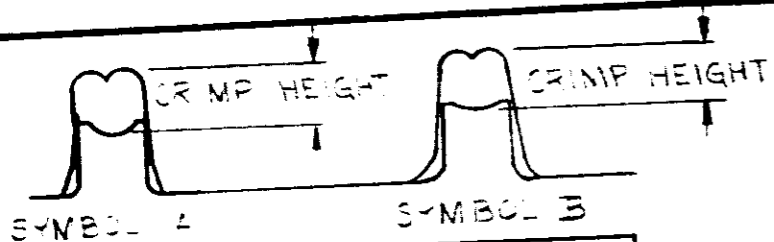
Contact us

Tel: +86-755-8981 8866 Fax: +86-755-8427 6832

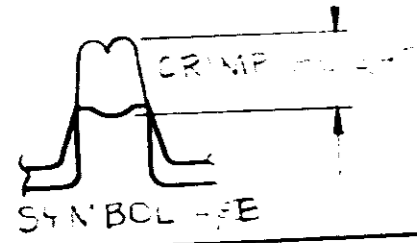
Email & Skype: info@chipsmall.com Web: www.chipsmall.com

Address: A1208, Overseas Decoration Building, #122 Zhenhua RD., Futian, Shenzhen, China



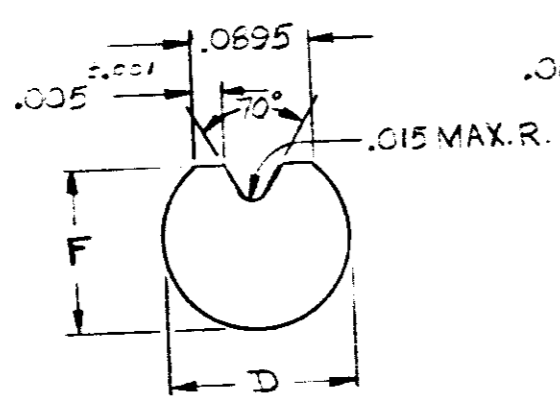
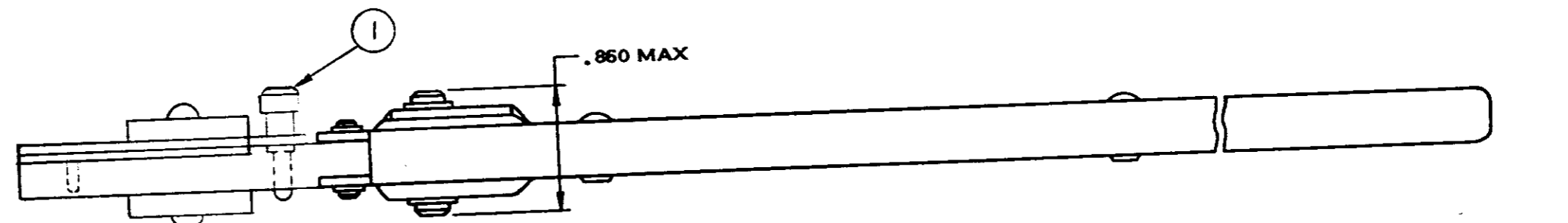
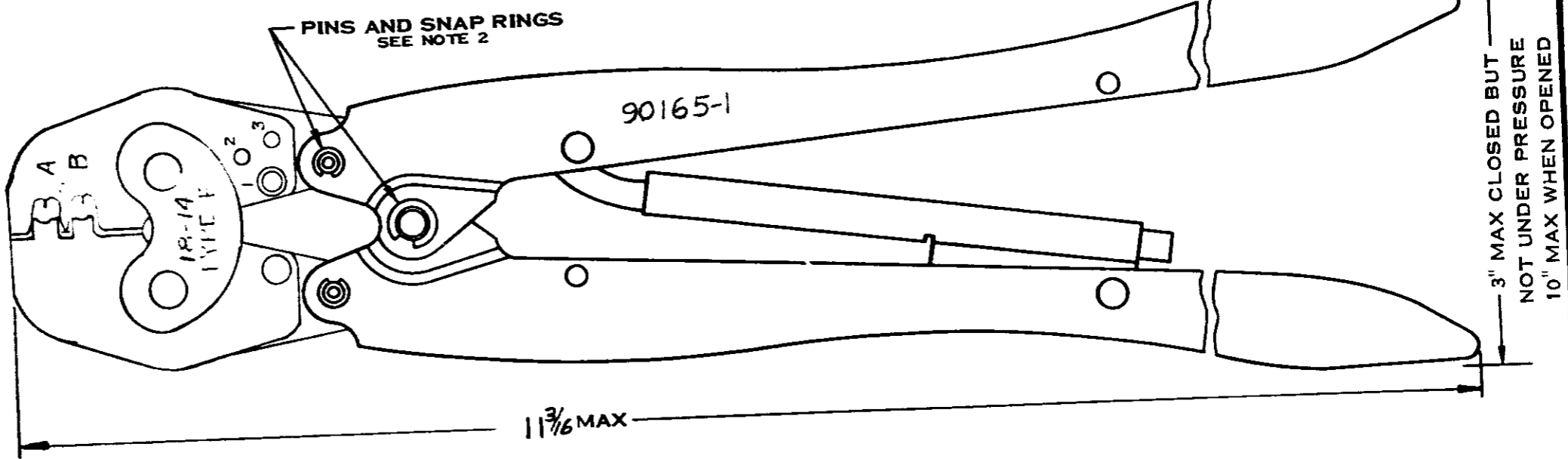


WIRE CRIMP				TERMINAL CRIMP HEIGHT
CRIMP SYMBOL	DIM	GO	NO GO	
A	F	.0564	.064	.0721
	D	.0688	.0728	.0855
B	F	.0624	.070	.078
	D	.0758	.0838	.0919

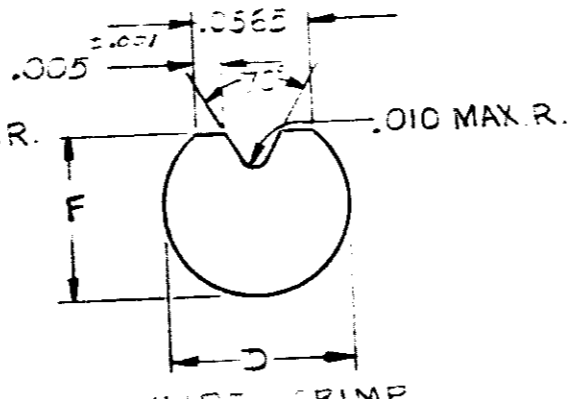


INSULATION CRIMP				TERMINAL CRIMP HEIGHT
CRIMP SYMBOL	DIM	GO	NO GO	
A+B	F	.45	.400	---
	D	.559	.533	---

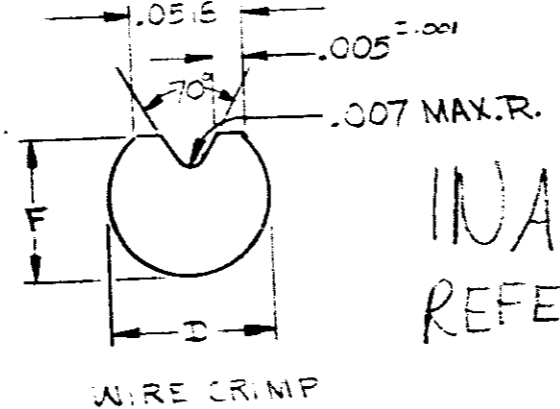
(SEE NOTE #6)



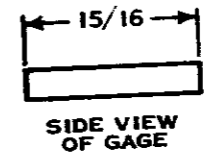
INSULATION CRIMP SYMBOL A+B



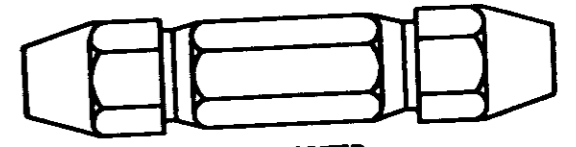
WIRE CRIMP SYMBOL B



WIRE CRIMP SYMBOL A



SIDE VIEW OF GAGE



SUGGESTED DOUBLE END HANDLE A.G.D. STD.

INACTIVE
11/9/77

INACTIVE,
REFER TO IS SHEET "7235"
11/3/77

ENLARGED END VIEWS OF GAGES
SUGGESTED GAGE DESIGN

- CRIMP GAGE DIMENSIONS APPLY WHEN TOOL IS CLOSED OR BOTTOMED BUT NOT UNDER PRESSURE.
- FOR REPLACEMENT OF PARTS SUCH AS PINS AND SNAP RINGS, ORDER REPAIR KIT NO. 125218-4.
- FOR REPLACEMENT OF PARTS OTHER THAN PINS AND SNAP RINGS, CONTACT THE MANUFACTURER TO INSURE PROPER FIT AND ADJUSTMENT.
- FOR TOOL USAGE, SEE INSTRUCTION SHEET NO. 125218-1.
- HAND TOOL CAN BE CHECKED BY MEASURING TERMINAL CRIMP HEIGHT.
- GAGE DIMENSIONS ARE MEASURED WITH INSULATION ADJUSTMENT PIN IN POSITION.

NO.	DESCRIPTION	DATE	BY	CHK	GATE
1	INACTIVE PER IS SHEET 7235	11/9/77			
2	SYMBOL A & B SEE .0721				
3	SYMBOL B SEE .0728				
4	SYMBOL A SEE .0721				
5	SYMBOL B SEE .0728				

NUMBER 90165

1	39207	PIN-ADJUSTMENT	1
NO. REQD	NUMBER	NAME	ITEM NO.
© 1967 BY AMP INCORPORATED. ALL RIGHTS RESERVED. AMP PRODUCTS COVERED BY PATENTS AND/OR PATENTS PENDING.			CUSTOMER COPY REFERENCE ONLY
DR	MATERIAL-STEEL FINISH-BLACK OXIDE		AMP INCORPORATED 4440 SHELBY, PENNA.
CHK	WEIGHT- LBS. 5 OZ.		CLASS
DE	WIRE - RANGE - INSULATION		TYPE
APP	TOLERANCE EXCEPT AS NOTED	SCALE	LOC NO
		#	R B 90165
	NAME		
	DOUBLE ACTION HAND TOOL		

DIMENSIONS IN INCHES DO NOT SCALE PRINT