



Chipsmall Limited consists of a professional team with an average of over 10 year of expertise in the distribution of electronic components. Based in Hongkong, we have already established firm and mutual-benefit business relationships with customers from,Europe,America and south Asia,supplying obsolete and hard-to-find components to meet their specific needs.

With the principle of "Quality Parts,Customers Priority,Honest Operation,and Considerate Service",our business mainly focus on the distribution of electronic components. Line cards we deal with include Microchip,ALPS,ROHM,Xilinx,Pulse,ON,Everlight and Freescale. Main products comprise IC,Modules,Potentiometer,IC Socket,Relay,Connector.Our parts cover such applications as commercial,industrial, and automotives areas.

We are looking forward to setting up business relationship with you and hope to provide you with the best service and solution. Let us make a better world for our industry!



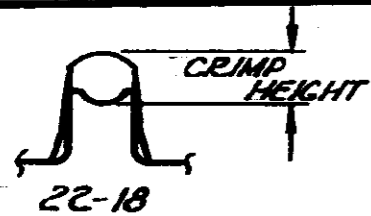
Contact us

Tel: +86-755-8981 8866 Fax: +86-755-8427 6832

Email & Skype: info@chipsmall.com Web: www.chipsmall.com

Address: A1208, Overseas Decoration Building, #122 Zhenhua RD., Futian, Shenzhen, China





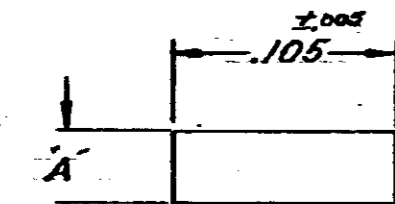
WIRE CRIMP				TERMINAL CRIMP HEIGHT
CRIMP SYMBOL	DIM	GO	NO GO	
22-18	0	.1625	.0675	



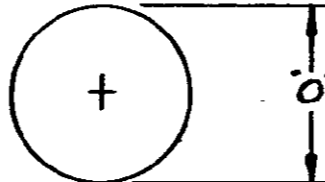
INSULATION CRIMP				TERMINAL CRIMP HEIGHT
CRIMP SYMBOL	DIM	GO	NO GO	
22-18	A	.0290	.0510	

SEE NOTE #6

INACTIVE
11/8/77



INSULATION CRIMP
CRIMP SYMBOL 22-18



WIRE CRIMP
CRIMP SYMBOL 22-18

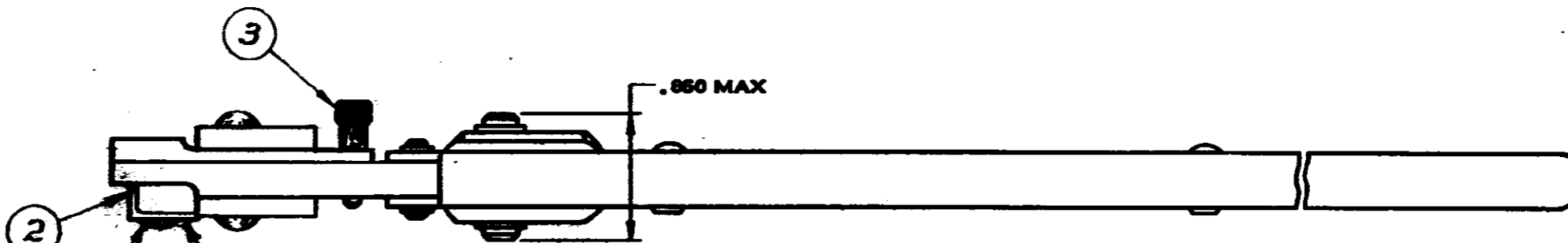
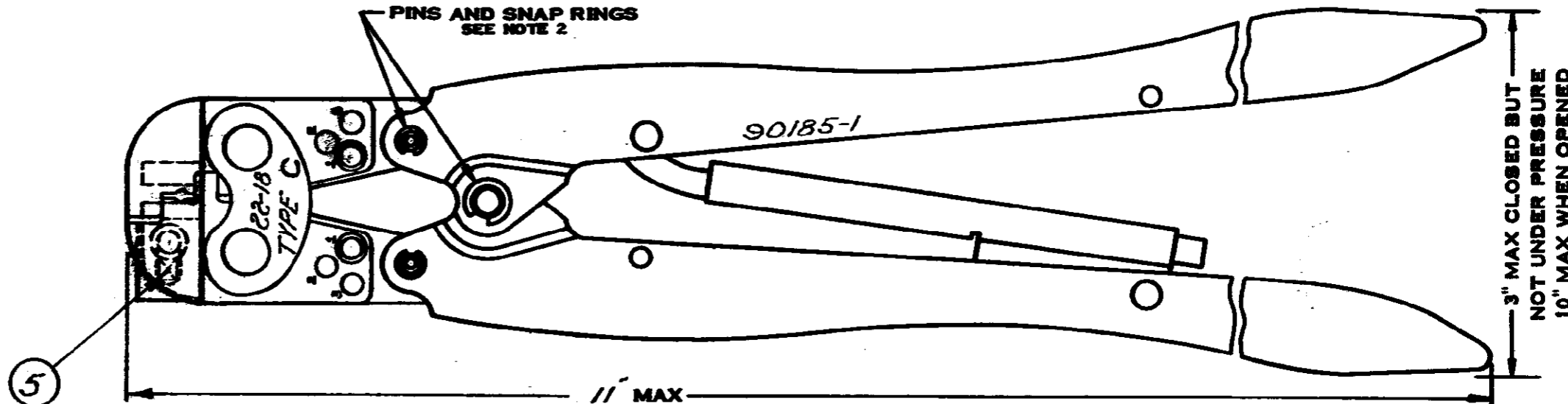
ENLARGED END VIEW OF GAGES

SUGGESTED GAGE DESIGN

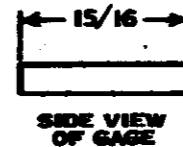
NO	DESCRIPTION	DATE	BY	CHK	DATE
D1	REVISED PER ECO-11-005294		RK	HMR	12APR11
LTR	REVISION RECORD		DR	CHK	DATE

NUMBER 90185

PINS AND SNAP RINGS
SEE NOTE 2



INACTIVE,
REFER TO
IS SHEET "7278"
11/8/77



NO	NUMBER	NAME	ITEM NO.
1	301201	SPRING	5
1	125645-1	HOUSING-LOCATOR	4
2	39207	ADJUSTMENT PIN	3
1	125644-1	LOCATOR	2
1	2-59577-6	SCREW (#8-32 x 7/16 LG.)	1

CUSTOMER COPY REFERENCE ONLY

MATERIAL-STEEL
FINISH-BLACK OXIDE
WEIGHT-/ LBS. 3 OZ.

WIRE - RANGE - INSULATION
TOLERANCE EXCEPT AS NOTED
SCALE

CLASS #
TYPE #

LAB R NO 90185 REV D1

DOUBLE ACTION HAND TOOL

12-2-65
J. Lucic
12-9-65
D. Davis
11-8-67
J. Lucic

CUSTOMER DRAWING

DIMENSIONS IN INCHES DO NOT SCALE PRINT