



Chipsmall Limited consists of a professional team with an average of over 10 year of expertise in the distribution of electronic components. Based in Hongkong, we have already established firm and mutual-benefit business relationships with customers from,Europe,America and south Asia,supplying obsolete and hard-to-find components to meet their specific needs.

With the principle of "Quality Parts,Customers Priority,Honest Operation,and Considerate Service",our business mainly focus on the distribution of electronic components. Line cards we deal with include Microchip,ALPS,ROHM,Xilinx,Pulse,ON,Everlight and Freescale. Main products comprise IC,Modules,Potentiometer,IC Socket,Relay,Connector.Our parts cover such applications as commercial,industrial, and automotives areas.

We are looking forward to setting up business relationship with you and hope to provide you with the best service and solution. Let us make a better world for our industry!



Contact us

Tel: +86-755-8981 8866 Fax: +86-755-8427 6832

Email & Skype: info@chipsmall.com Web: www.chipsmall.com

Address: A1208, Overseas Decoration Building, #122 Zhenhua RD., Futian, Shenzhen, China



Specialty Distribution - 902 Self-Stripping Electrical Tap Connectors

Product Information

Application:

Use Part No. 902 to electrically connect a (tap) wire end to a through (run) wire and insulate the connection.

Wire Range:

(Tap) 18-14 AWG (.75-1.5mm²):

(Run) 12-10 AWG (4.0mm²)

solid or stranded copper conductors.

For use with common thermoplastic insulated wires such as:

T, TF, TFF, TFN, TFFN, AWM, TEW, TW, THHN, THWN, MTW, SAE-GPT with a maximum lation diameter of (tap) .145 inches (3.5mm), (run) .190 inches (4.8mm).

Maximum recommended current for general purpose applications:

18 AWG-7 AMPS, 16 AWG-10 AMPS,

14 AWG-15 AMPS, 12 AWG-20 AMPS,

10 AWG-25 AMPS.

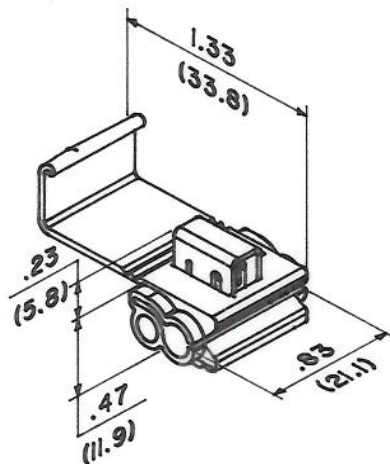
Construction:

U-Contact - Tin plated brass,
.03 in. (.8mm) thick

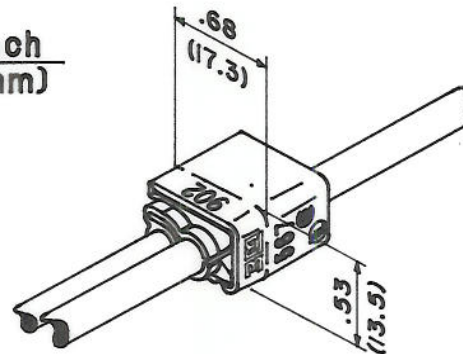
Insulator - Flame retardant poly-
propylene, Color - brown

Weight:

.0067 lb. (3.0 gm)



inch
(mm)



Installation Instructions:

Caution - turn power off before installing connector. All electrical work should be done according to appropriate electrical codes.

1. Place unstripped run wire inside run channel.
2. Insert unstripped tap wire completely and check it's position in the inspection port.
3. Hold tool perpendicular to the wires and make the connection by driving the u-contact down flush with the top of the plastic insulator.
4. Close hinged top cover until latched.

Recommended Installation Tools:

9" Linemans Pliers

Regulatory Agencies:

U.L. Listed - Tested per UL Standard 486C

U.L. File No. E23438

C.S.A. Certified - CSA Std. C22.2 No. 188-M1983

CSA File No. LRI5503, LR32411

(Voltage rated at 600 volts maximum, building wire; 1000 volts maximum, signs, fixtures & luminaire).

Temperature rated at 105°C.)

ENGINEERING SPECIFICATION:

Self-Stripping Electrical Connector (Part No. 902) capable of connecting a tap wire 18-14 AWG solid or stranded copper, to a run wire, 12-10 AWG solid or stranded copper.

Connector shall be UL Listed and CSA Certified for 600 volts maximum, building wire; 1000 volts maximum, signs, fixtures and luminaire, and temperature rated 105°C maximum.

Important Notice: All statements, technical information and recommendations contained herein are based on tests we believe to be reliable, but the accuracy or completeness thereof is not guaranteed, and the following is made in lieu of all warranties, express or implied: Seller's and manufacturer's only obligation shall be to replace such quantity of the product proved to be defective. Neither seller nor manufacturer shall be liable for any injury, loss or damage, direct or consequential, arising out of the use of or inability to use the product. Before using, user shall determine the suitability of the product for his intended use, and user assumes all risks and liability whatsoever in connection therewith. Statements or recommendations not contained herein shall have no force or effect unless in an agreement signed by officers of seller and manufacturer.

5/86

SPECIALTY DISTRIBUTION

ELECTRICAL PRODUCTS DIVISION

3M Austin Center

P.O. Box 2963

Austin, Texas 78769-2963

(512) 984-5555

55133 - (612) 733-8852

3M