



Chipsmall Limited consists of a professional team with an average of over 10 year of expertise in the distribution of electronic components. Based in Hongkong, we have already established firm and mutual-benefit business relationships with customers from,Europe,America and south Asia,supplying obsolete and hard-to-find components to meet their specific needs.

With the principle of “Quality Parts,Customers Priority,Honest Operation,and Considerate Service”,our business mainly focus on the distribution of electronic components. Line cards we deal with include Microchip,ALPS,ROHM,Xilinx,Pulse,ON,Everlight and Freescale. Main products comprise IC,Modules,Potentiometer,IC Socket,Relay,Connector.Our parts cover such applications as commercial,industrial, and automotives areas.

We are looking forward to setting up business relationship with you and hope to provide you with the best service and solution. Let us make a better world for our industry!



Contact us

Tel: +86-755-8981 8866 Fax: +86-755-8427 6832

Email & Skype: info@chipsmall.com Web: www.chipsmall.com

Address: A1208, Overseas Decoration Building, #122 Zhenhua RD., Futian, Shenzhen, China



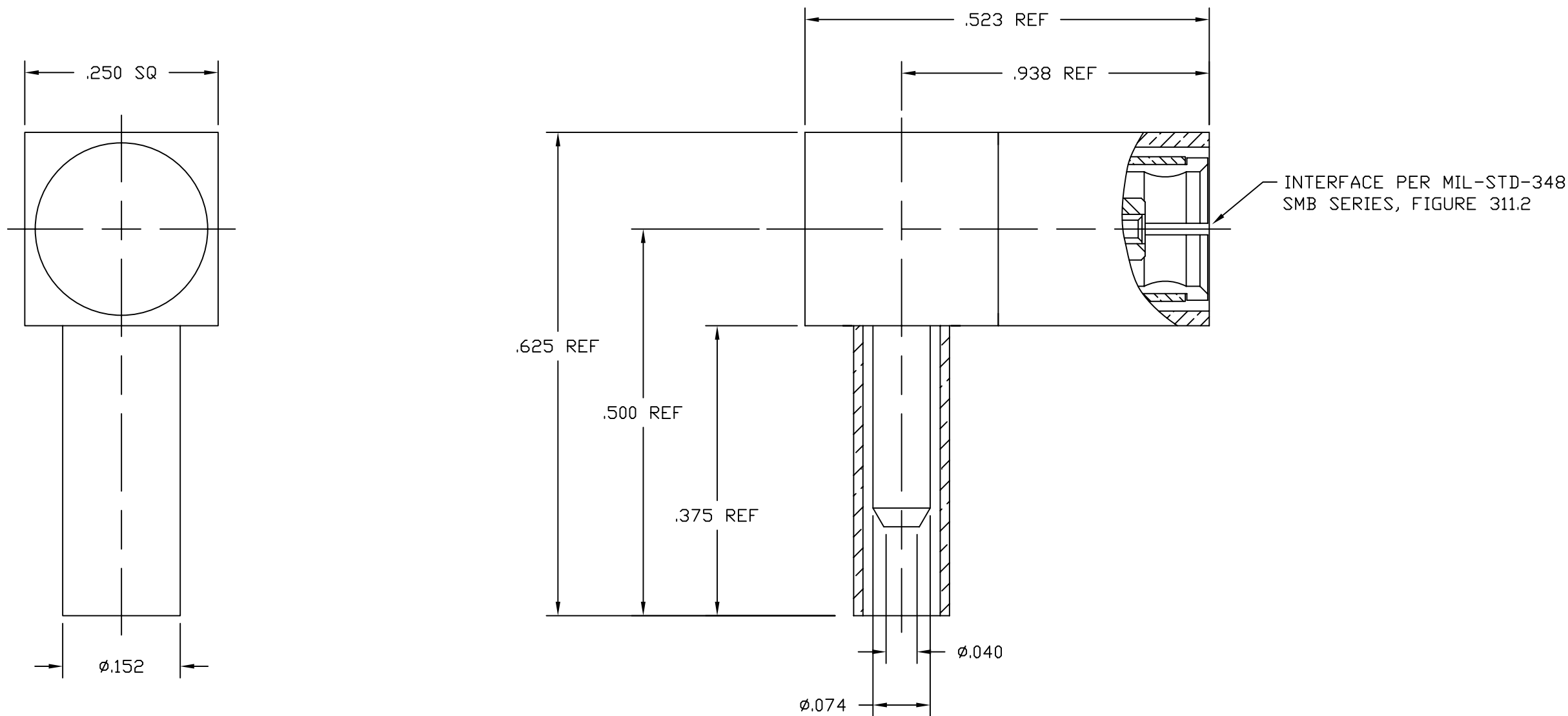
NOTES:

1. PLATING MUST CONFORM TO AMPHENOL SPEC 349-50560. CONNECTOR IS GOLD PLATED.
2. FOR ASSEMBLY INSTRUCTIONS SEE AMPHENOL SPEC 349-50521, SHEET 3.

903-291P-51A

REVISIONS

DRAWING NO.	REV	DESCRIPTION	DATE	ECO	APPR
THIRD ANGLE PROJ.	A	OFFICIAL ENG. RELEASE TO MFG.	4-11-90	37203	TA/PB
	G	REVISED	4/9/96	41239	PB/
	H	SEE SHEET 1	10/6/06	46294	CPM



CUSTOMER OUTLINE DRAWING
ALL OTHER SHEETS ARE FOR INTERNAL USE ONLY

UNLESS OTHERWISE SPECIFIED, DIMENSIONS ARE IN INCHES AND TOLERANCES ARE:
2 PLACE DECIMAL 3 PLACE DECIMAL ANGLES
 $\pm.015$ (0,381 mm) $\pm.005$ (0,127 mm) $\pm 1'$

NOTICE - These drawings, specifications, or other data (1) are, and remain the property of Amphenol Corp. (2) must be returned upon request; and (3) are confidential and not to be disclosed to any person other than those to whom they are given by Amphenol Corp. The furnishing of these drawings, specifications, or other data by Amphenol Corp., or to any other person to anyone for any purpose is not to be regarded by implication or otherwise in any manner licensing, granting rights or permitting such holder or any other person to manufacture, use or sell any product, process or design, patented or otherwise, that may in any way be related to or disclosed by said drawings, specifications, or other data.

MATERIAL	DRAWN	DATE	TITLE
	T. ALBERA	4-11-90	SMB RIGHT ANGLE PLUG, CRIMP TYPE FOR RG-196/U
	ENGINEER	DATE	
	P. BRENZEL	4-11-90	
REFERENCE	APPROVED	DATE	
	B. C GLEISSNER	4/3/96	
	CAD FILE	CODE ID	DWG SIZE
	H:\PETE\SMB\903\ASSY\291P51AC	74868	B

DRAWING NO.	REV	DESCRIPTION	DATE	ECO	APPR
903-291P-51A	H	SEE SHEET 1	10/6/06	46294	CPM

DRAWING NO.	REV	DESCRIPTION	DATE	ECO	APPR
903-291P-51A	H	SEE SHEET 1	10/6/06	46294	CPM

Amphenol	
Amphenol Corporation	
RF/Microwave Operations	
Danbury, Conn. U.S.A. 06810	
SCALE: 6:1	SHEET 2 OF 2