



Chipsmall Limited consists of a professional team with an average of over 10 year of expertise in the distribution of electronic components. Based in Hongkong, we have already established firm and mutual-benefit business relationships with customers from,Europe,America and south Asia,supplying obsolete and hard-to-find components to meet their specific needs.

With the principle of “Quality Parts,Customers Priority,Honest Operation,and Considerate Service”,our business mainly focus on the distribution of electronic components. Line cards we deal with include Microchip,ALPS,ROHM,Xilinx,Pulse,ON,Everlight and Freescale. Main products comprise IC,Modules,Potentiometer,IC Socket,Relay,Connector.Our parts cover such applications as commercial,industrial, and automotives areas.

We are looking forward to setting up business relationship with you and hope to provide you with the best service and solution. Let us make a better world for our industry!



Contact us

Tel: +86-755-8981 8866 Fax: +86-755-8427 6832

Email & Skype: info@chipsmall.com Web: www.chipsmall.com

Address: A1208, Overseas Decoration Building, #122 Zhenhua RD., Futian, Shenzhen, China





Scotchlok™ 903

Self-Stripping Electrical Tap Connectors

Data Sheet

Product Information

Application:

Use Part No. 903 to electrically connect a wire end (tap) to a through (run) wire and insulate the connection.

Wire Range:

12 AWG solid or stranded thru 10 AWG stranded (4,0 mm² solid or stranded) copper conductors. For use with common thermoplastic insulated wire with a maximum insulation diameter off .190 inches (4,8 mm), such as T, TW: When using nylon jacketed wire, such as THHN, THWN, MTW, the connector should be crimped using the 3M E-9BM tool. Maximum recommended current for general purpose use:

12 AWG-20 AMPS, 10 AWG-25 AMPS.

Regulatory Agencies:

U.L. Listed – Tested per UL Standard 486C

U.L. File No. E23438

Federal Specification W-S-610D

“Commercial Packaging”

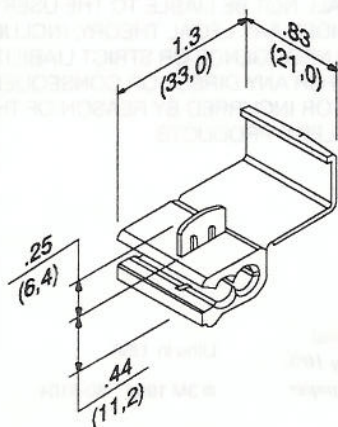
Type	Class	Kind	Style
II	I	Cu	F

(Voltage rated at 600 volts maximum, building wire:

1000 volts maximum, signs and fixtures.

Temperature rated at 90°C.)

NOTE: Listed for AWG only.



Construction:

U-Contact — Tin plated brass,

.04 in. (1,0 mm) thick

Insulator — Polypropylene

Color – yellow

Weight:

.0065 lb. (3,0 gm)

Recommended Installation Tools:

9" Linemans Pliers

3M E-9BM

Installation Instructions:

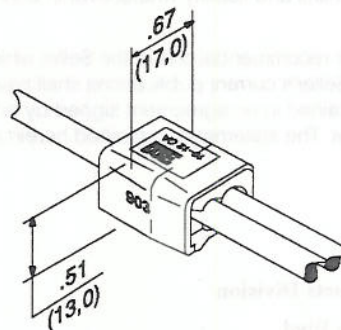
Caution – turn power off before installing connector. All electrical work should be done according to appropriate electrical codes.

1. Place stripped run wire inside run channel.
2. Insert stripped tap wire completely up to stop.
3. Hold tool perpendicular to the wires and make the connection by driving the u-contact down flush with the top of the plastic insulator.
4. Close hinged top cover until latched.

Engineering Specification:

Self-stripping electrical connector (as manufactured by 3M, Part No. 903) capable of connecting a tap wire to a run wire, in the range of No. 12 AWG solid or stranded copper thru No. 10 AWG stranded copper.

Connector shall be UL Listed for 600 volts maximum, building wire: 1000 volts maximum, signs and fixtures, and temperature rated 90°C maximum.





Scotchlok™ 903

Self-Stripping Electrical Tap Connectors

Data Sheet

Product Information

Application:

Use Part No. 903 to electrically connect a wire end (tap) to a through (run) wire and insulate the connection.

Wire Range:

12 AWG solid or stranded wire to AWG stranded (4.0 mm² solid or stranded) copper conductors. For use with common thermoplastic insulated wire with a maximum insulation diameter of .190 inches (4.8 mm), such as THHN, TW, and nylon jacketed wire, such as THHN, THWN, MTW. The connector should be changed using the 3M E-98M tool. Maximum recommended current for general purpose use:

12 AWG-20 AMPS, 10 AWG-25 AMPS.

Regulatory Agencies:

UL Listed - Tested per UL Standard 486C

UL Part No. E1288

Federal Specification W-5-A103

"Commercial Packaging"

Type	Class	Kind	Style
II	I	Q	E

Construction:

U-Contact — Tin plated brass.
Insulator — Polypropylene.
Color — Yellow.

Weight:

0.0055 lb. (2.5 gm)

Recommended Installation Tools:

3M E-98M

3M E-98M

Installation Instructions:

Caution — Turn power off before installing connector. All electrical work should be done according to appropriate electrical codes.

1. Place stripped run wire inside run channel.
2. Insert stripped tap wire completely up to stop.
3. Hold tool perpendicular to the wire and make the connection by driving the U-Contact down flush with the top of the plastic insulator.
4. Close tagged tap cover until latched.

Engineering Specification:

Self-stripping electrical connector (as manufactured by 3M Part No. 903) capable of connecting a tap wire to the wire in the range of No. 12 AWG solid or stranded copper wire to No. 10 AWG stranded copper wire.

Important Notice to Purchaser:

All statements, technical information and recommendations related to the Seller's products are based on information believed to be reliable, but the accuracy or completeness thereof is not guaranteed. Before utilizing the product, the user should determine the suitability of the product for its intended use. The user assumes all risks and liability whatsoever in connection with such use.

Any statements or recommendations of the Seller which are not contained in the Seller's current publications shall have no force or effect unless contained in an agreement signed by an authorized officer of the Seller. The statements contained herein are made in

lieu of all warranties expressed or implied, including but not limited to the implied warranties of merchantability and fitness for a particular purpose which warranties are hereby expressly disclaimed.

SELLER SHALL NOT BE LIABLE TO THE USER OR ANY OTHER PERSON UNDER ANY LEGAL THEORY, INCLUDING BUT NOT LIMITED TO NEGLIGENCE OR STRICT LIABILITY, FOR ANY INJURY OR FOR ANY DIRECT OR CONSEQUENTIAL DAMAGES SUSTAINED OR INCURRED BY REASON OF THE USE OF ANY OF THE SELLER'S PRODUCTS.



Electrical Products Division

6801 River Place Blvd.
Austin, TX 78726-9000



Printed on 50% recycled waste paper, including 10% post-consumer waste paper.

Litho in USA.

© 3M 1994 80-6104-