



Chipsmall Limited consists of a professional team with an average of over 10 year of expertise in the distribution of electronic components. Based in Hongkong, we have already established firm and mutual-benefit business relationships with customers from,Europe,America and south Asia,supplying obsolete and hard-to-find components to meet their specific needs.

With the principle of "Quality Parts,Customers Priority,Honest Operation,and Considerate Service",our business mainly focus on the distribution of electronic components. Line cards we deal with include Microchip,ALPS,ROHM,Xilinx,Pulse,ON,Everlight and Freescale. Main products comprise IC,Modules,Potentiometer,IC Socket,Relay,Connector.Our parts cover such applications as commercial,industrial, and automotives areas.

We are looking forward to setting up business relationship with you and hope to provide you with the best service and solution. Let us make a better world for our industry!



## Contact us

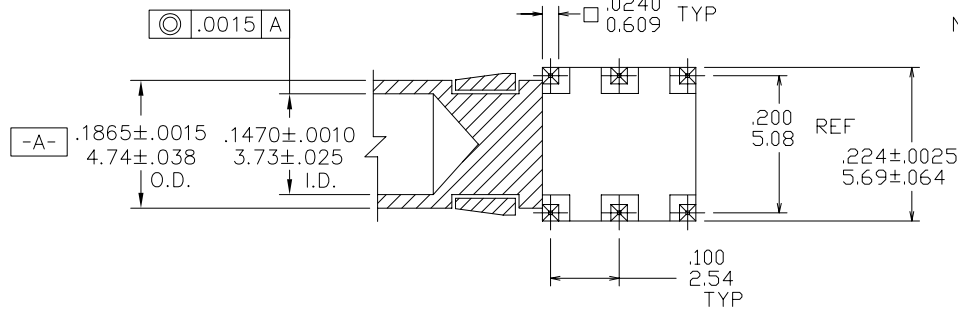
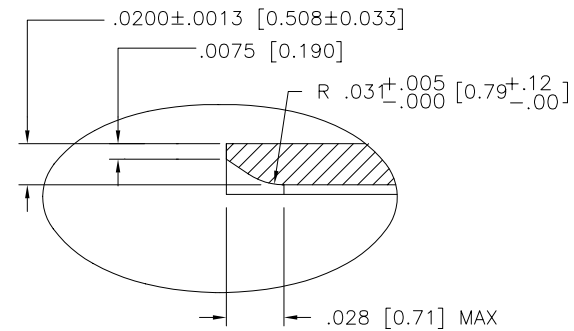
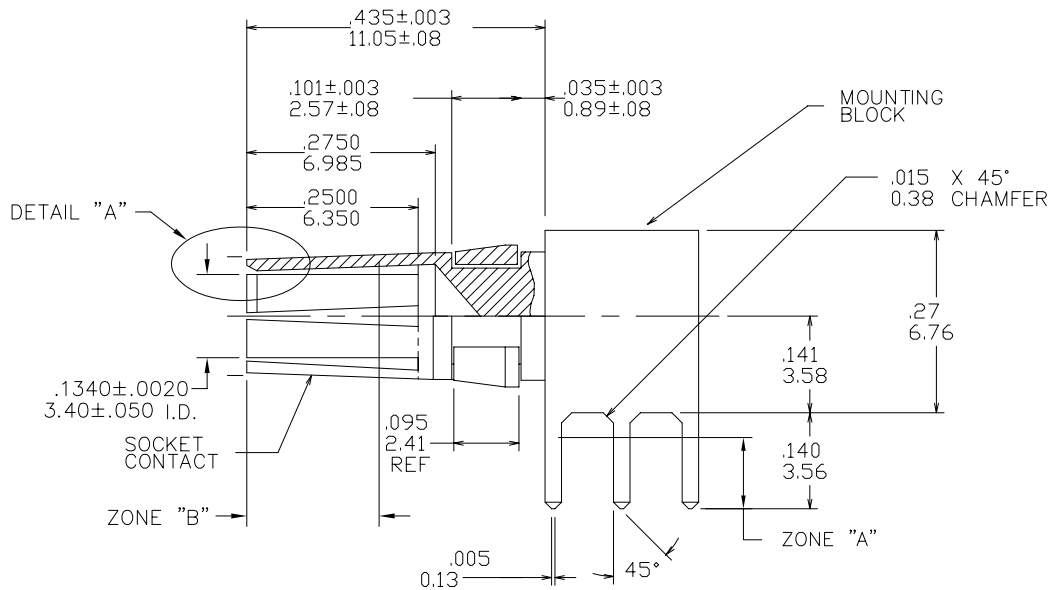
Tel: +86-755-8981 8866 Fax: +86-755-8427 6832

Email & Skype: info@chipsmall.com Web: www.chipsmall.com

Address: A1208, Overseas Decoration Building, #122 Zhenhua RD., Futian, Shenzhen, China



PRODUCT NUMBER	ZONE "A" PLATING
90306-001	100μ/2.54μ MIN. SnPb
90306-001LF	100μ/2.54μ MIN. Sn



NOTES:

- MATERIAL:  
 SOCKET CONTACT: BeCu  
 MOUNTING BLOCK: BRASS  
 SNAP RING: PHOS. BRONZE (ALLOY 510)
- PLATING:  
 ZONE A: SEE TABLE  
 ZONE B: 30u"/.76u MIN Au OVER  
 UNDERPLATE: 50u"/1.27u MIN Ni
- HEAT TREATING: 625°F f/ 2-1/2 HRS.
- NO BURRS ALLOWED IN SOCKET INTERIOR.
- SURFACE FINISH IN CONTACT AREA NOT TO EXCEED 25rms.

mat'l. code		surface		tolerance		projection		product family	
NOTE 1		ISO 1302 ✓		ISO 406		ISO 1101		HPC	
tolerances unless otherwise specified		angles		linear		INCH/MM		title	
G v04394 MDF 2/16/94		.xx±.01/.3						CLOSED PWR SOCKET	
H v40764 PDP 4/4/94		.xxx±.005/.13						90306	
J v60760 MDF 5/20/96		0'±2'		.xxxx±.0020/.051		scale 1:1		A3	
K v00720 LSS 4/11/00 dr		M.FETROW		6/12/91		FCJ		type Product Customer Drawing	
L v05-0743 DAI 10/18/05 engr		S.CLARK		6/12/91					
M v06-0283 MHT 7/27/06 chr		S.CLARK		6/12/91					
		appd		S.CLARK		6/12/91			
sheet index	revision	M							
	sheet	1							