



Chipsmall Limited consists of a professional team with an average of over 10 year of expertise in the distribution of electronic components. Based in Hongkong, we have already established firm and mutual-benefit business relationships with customers from,Europe,America and south Asia,supplying obsolete and hard-to-find components to meet their specific needs.

With the principle of “Quality Parts,Customers Priority,Honest Operation,and Considerate Service”,our business mainly focus on the distribution of electronic components. Line cards we deal with include Microchip,ALPS,ROHM,Xilinx,Pulse,ON,Everlight and Freescale. Main products comprise IC,Modules,Potentiometer,IC Socket,Relay,Connector.Our parts cover such applications as commercial,industrial, and automotives areas.

We are looking forward to setting up business relationship with you and hope to provide you with the best service and solution. Let us make a better world for our industry!



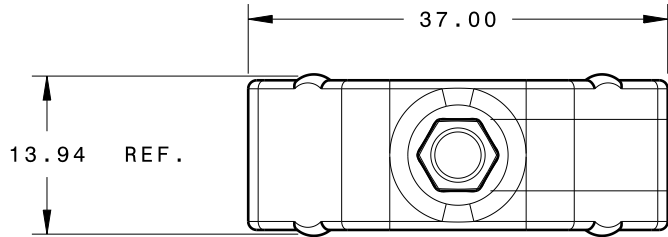
Contact us

Tel: +86-755-8981 8866 Fax: +86-755-8427 6832

Email & Skype: info@chipsmall.com Web: www.chipsmall.com

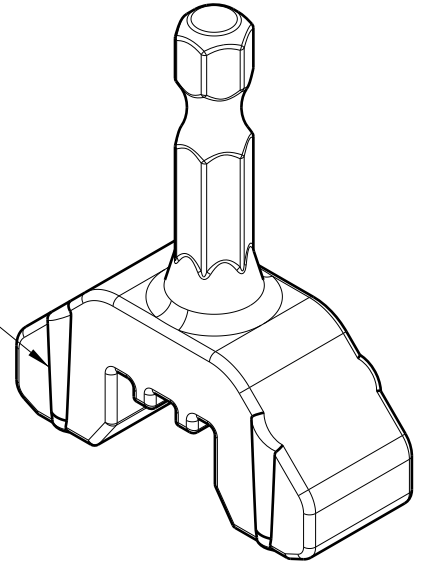
Address: A1208, Overseas Decoration Building, #122 Zhenhua RD., Futian, Shenzhen, China



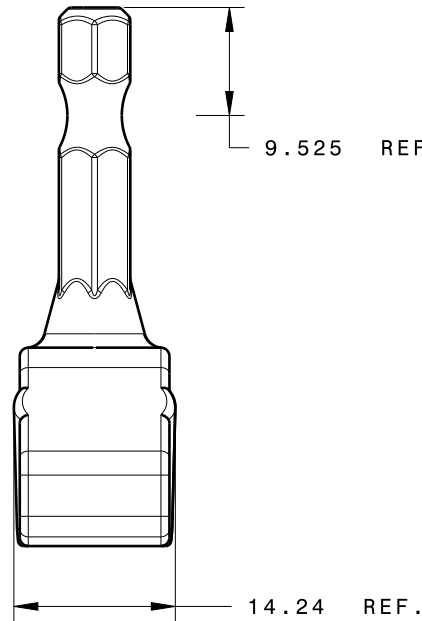
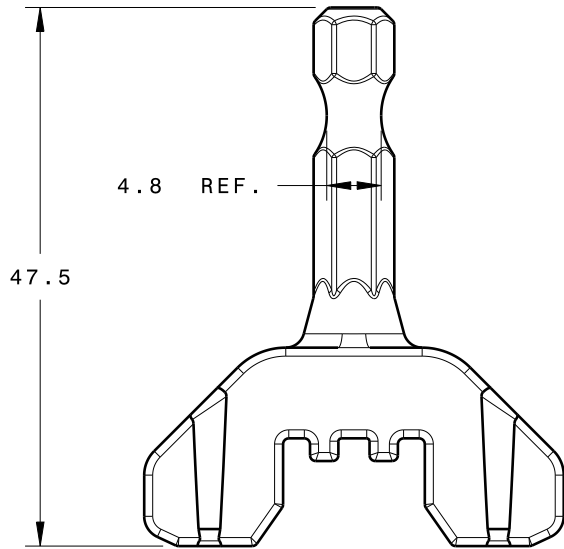


3X 6.3 REF.
STANDARD 1/4"
HEX HEAD SHANK

SMALL RIBS ALLOW
INTERFERENCE
WITH THE H-MOUNT



Isometric view



I
N
V
E
N
T
O
R
S

HellermannTyton®

ALL PROPRIETARY RIGHTS IN THE SUBJECT MATTER SHOWN ON THIS DRAWING ARE EXCLUSIVE PROPERTY OF HELLERMANN TYTON

name	date	city, state
S. ADAMS	9/14/10	MENOMONEE FALLS, WI.

R
E
V
I
S
I
O
N
S

REVISIONS	D	level	05
	R	by	SJA
	W	date	11/2/10
	I	ECN #	011684
	N	part level	A

D
I
M
E
N
S
I
O
N
S

DIMENSIONS	TOLEPRANCS	.XXXX = ± 0.10
		.XXX = ± 0.25
		.XX = ± 0.50
		.X = ± 1.00
		∠ = ± 0.5
	unless otherwise specified	
	units	millimeters

P
A
R
T

PART	number	HBIT	phase	PRODUCTION
	name	H-MOUNT BIT (1/4" HEX)		
	material	4140 STEEL COATING: BLACK OXIDE		

D
R
A
W
I
N
G

FORMAT	AH	CAD	CATIA V5	SCALE	3:2
VERSION	J				
A- SIZE (landscape)_N01		previous drawing number			
drawn	S. ADAMS	checked	P. TRAUTFIELD	approved	
	8/20/10		11/16/10		
type	CUSTOMER		sheet 1 of 1		
number	MT09-0354-100CST				