



Chipsmall Limited consists of a professional team with an average of over 10 year of expertise in the distribution of electronic components. Based in Hongkong, we have already established firm and mutual-benefit business relationships with customers from,Europe,America and south Asia,supplying obsolete and hard-to-find components to meet their specific needs.

With the principle of "Quality Parts,Customers Priority,Honest Operation,and Considerate Service",our business mainly focus on the distribution of electronic components. Line cards we deal with include Microchip,ALPS,ROHM,Xilinx,Pulse,ON,Everlight and Freescale. Main products comprise IC,Modules,Potentiometer,IC Socket,Relay,Connector.Our parts cover such applications as commercial,industrial, and automotives areas.

We are looking forward to setting up business relationship with you and hope to provide you with the best service and solution. Let us make a better world for our industry!



## Contact us

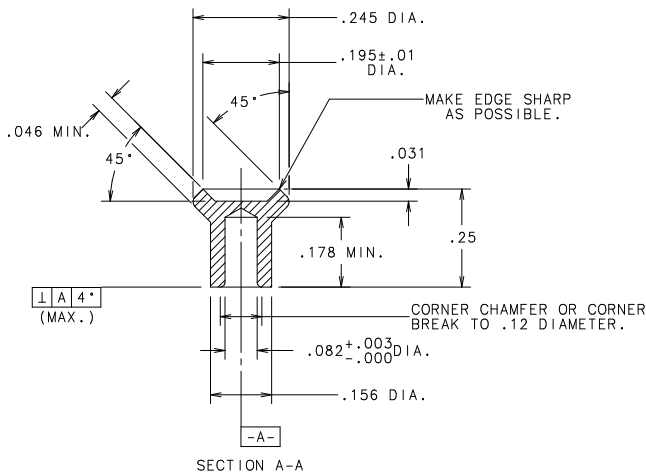
Tel: +86-755-8981 8866 Fax: +86-755-8427 6832

Email & Skype: info@chipsmall.com Web: www.chipsmall.com

Address: A1208, Overseas Decoration Building, #122 Zhenhua RD., Futian, Shenzhen, China



PART No.	FINISH SPECIFICATIONS	CONTACT RIVET
904-216	NONE - FREE OF OIL & CONTAMINANTS	N/A
904-216-001	ES-001001 NI	904-216
904-216-002	ES-001001	904-216



NOTES:

1. THIS RIVET IS SIMILAR TO 904-197 WITH EXCEPTION OF HOLE SIZE.

NO	COMPONENT NO	DESCRIPTION	QTY/M	U/M	BILL OF MATERIAL	
					MATL SPEC	FINISH
					SEE CHART	
CDPIES TO		DRW	SCALE			
1	9	18	DATE	10/12/95	4:1	
2	10	19	REFR			
3	12	20	CHK			
4	13	21	APPD			
5	14	23				
6	15	33				
7	16	43	TOLERANCE UNLESS OTHERWISE SPECIFIED			
8	17	53	TWO PLACE DEC. ±.010			
			THREE PLACE DEC. ±.005			
					LBS/M	
					TITLE	
					CONTACT RIVET	
					DESIGN	DRWS. NO.
					INC.	904-216
					DES PLAINES, ILLINOIS	60016

CPK DENOTES CP DIMENSIONS.-MINIMUM CP VALUE  
 LTR DENOTES LTR DIMENSIONS.-MINIMUM LTR VALUE  
 M DENOTES M DIMENSIONS.-MINIMUM M VALUE  
 UNLESS OTHERWISE SPECIFIED-DIMENSIONS DO NOT INCLUDE PLATING.

SEC DENOTES A CHARACTERISTIC THAT PROVIDES AN INDICATION OF PROCESS PERFORMANCE. PROCEDURE FOR MEASUREMENT AND ACCEPTANCE TO BE DEFINED IN LITTELFUSE INSPECTION INSTRUCTIONS.

CPK DENOTES CP DIMENSIONS.-MINIMUM CP VALUE

REV	DATE	DESCRIPTION	CHK	APD
L	06866 - RELEASED 10/12/95	-904-216-002 & REFR ON CAD.		
M	84353C	CHK PLATING TO BE OUT SOURCED 7/27/95 LDL	MP	CP

CONTROLLED DOCUMENT