



Chipsmall Limited consists of a professional team with an average of over 10 year of expertise in the distribution of electronic components. Based in Hongkong, we have already established firm and mutual-benefit business relationships with customers from,Europe,America and south Asia,supplying obsolete and hard-to-find components to meet their specific needs.

With the principle of "Quality Parts,Customers Priority,Honest Operation,and Considerate Service",our business mainly focus on the distribution of electronic components. Line cards we deal with include Microchip,ALPS,ROHM,Xilinx,Pulse,ON,Everlight and Freescale. Main products comprise IC,Modules,Potentiometer,IC Socket,Relay,Connector.Our parts cover such applications as commercial,industrial, and automotives areas.

We are looking forward to setting up business relationship with you and hope to provide you with the best service and solution. Let us make a better world for our industry!



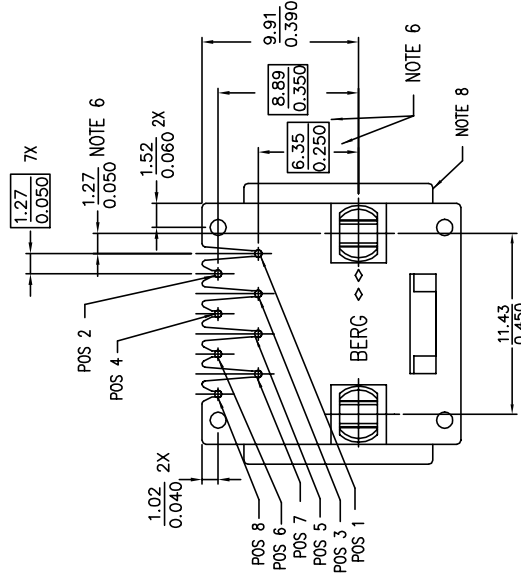
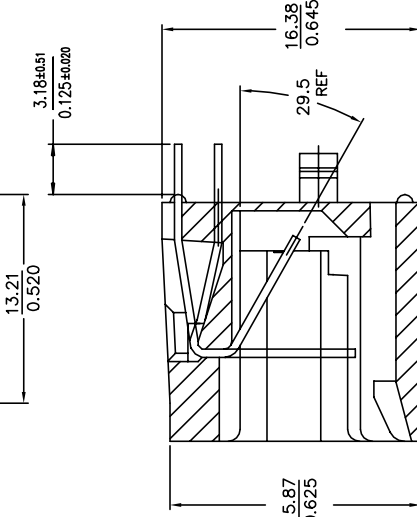
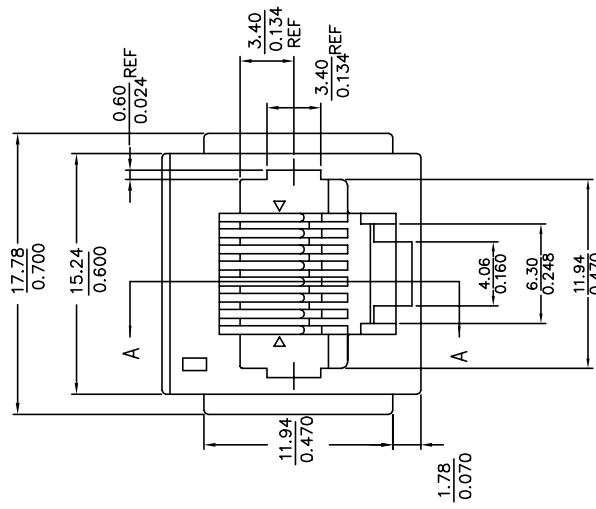
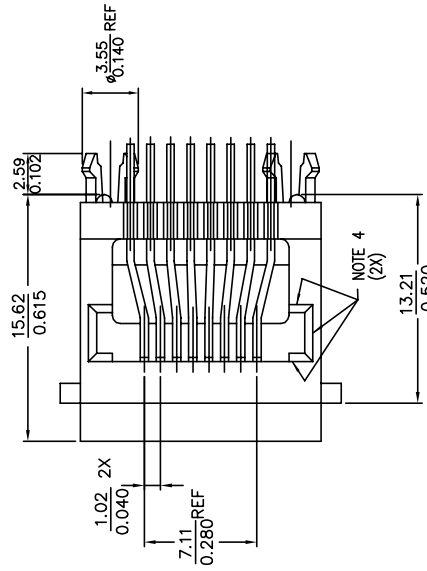
Contact us

Tel: +86-755-8981 8866 Fax: +86-755-8427 6832

Email & Skype: info@chipsmall.com Web: www.chipsmall.com

Address: A1208, Overseas Decoration Building, #122 Zhenhua RD., Futian, Shenzhen, China





SECTION A-A

mat'l. code		surface	tolerance	projection	product family
ISQI302		ISQI302	ISQI302	ISQI302	MOD JACK
tracen naddr date		tolerances unless otherwise specified			
M	T00202	MM	07/04/00	angle	mm
N	N04-0102	YS	11/23/04	0°±2'	scale 2.0
P	N06-0039	DT	3/10/06	0°±2'	scale 2.0
R	N08-0097	SH	MM	09/25/08	CL FENG
S	ELX-N-010800	SH	MM	03/14/12	enr TONY CHIEN
T	ELX-N-15808	Henry	09/23/13	chr TONY CHIEN	01/08/97
sheet	revision	T		appd	JENN TSAO
index	Sheet	1	2		

8 POS VERT. SNAP PEG
P.C.B. III MOD JACK ASSY
awg no sheet of 2 size
90598 A4

type	Product	Customer	Drawing

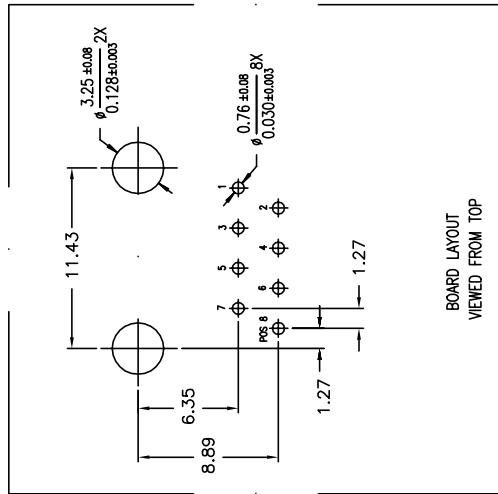
PRODUCT NO.	POSITIONS LOADED	CONTACT PLATING	MOUNTING EARS
90598-001-001LF	ALL	5u" Au + high performance lubricant	Y
-002-002LF	2,3,4,5,6,7	5u" Au + high performance lubricant	Y
-003-003LF	ALL	5u" Au + high performance lubricant	Y
-004-004LF	ALL	50u" / 1.27u GXT	Y
-005-005LF	1,2,7,8	5u" Au + high performance lubricant	Y
-006-006LF	ALL	5u" Au + high performance lubricant	N
-007-007LF	ALL	50u" / 1.27u GXT	N
-008-008LF	ALL	5u" Au + high performance lubricant	N
-009-009LF	2-7	5u" Au + high performance lubricant	N
-010-010LF	2-7	5u" Au + high performance lubricant	N
-011-011LF	3,4,5,6	50u" / 1.27u GXT	N
-012-012LF	ALL	15u" / 0.37u GXT	N
-013-013LF	ALL	6u" / 0.15u GXT	Y
-014-014LF	ALL	15u" / 0.37u GXT	Y
-015-015LF	ALL	30u" / 0.76u GXT	Y

PRODUCT NO.	POSITIONS LOADED	CONTACT PLATING	MOUNTING EARS
90598-101-101LF	ALL	5u" Au + high performance lubricant	Y
-102-102LF	2,3,4,5,6,7	5u" Au + high performance lubricant	Y
-103-103LF	ALL	5u" Au + high performance lubricant	Y
-104-104LF	ALL	50u" / 1.27u Au	Y
-105-105LF	1,2,7,8	5u" Au + high performance lubricant	Y
-106-106LF	ALL	5u" Au + high performance lubricant	N

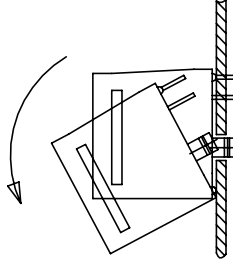
NOTES :

- 1 P/NO WITH DASH 0XX -NOTMAL WAVE SOLDERING APPLICATION.
P/NO WITH DASH 1XX -1R REFLOW APPLICATION.
PACKAGING SPEC. BUS-14-164.
- 2 SCRATCH MARKS ACCEPTABLE ON THESE SURFACES.
JACK IS FOR 1,57/062 THICK PCB.
- 3 SHOULD THE JACK NEED TO BE DISMOUNTED FROM THE PCB, PLS REMOVE JACK AS PER RECOMMENDED METHOD HEREIN. (DETAIL A) NIPPING THE LEGS OF THE PEG TOGETHER IS DISALLOWED, OTHERWISE LEG BREAKAGE MAY OCCUR.
THESE DIMENSIONS ARE TAKEN FROM THE TOP OF THE PEG.
- 4 MOUNTING EARS OPTIONAL. REFER TO TABLE
- 5 THIS PRODUCT MEETS EUROPEAN UNION DIRECTIVES AND OTHER COUNTRY REGULATIONS AS DESCRIBED IN GS-22-008
- 6 MOUNTING EARS OPTIONAL. REFER TO TABLE
- 7 THE HOUSING WILL WITHSTAND EXPOSURE TO 260°C PEAK TEMPERATURE FOR 10 SECONDS IN A WAVE SOLDER APPLICATION WITH A 1.57mm MINIMUM THICK CIRCUIT BOARD
- 8 IF LF P/N PACKAGING MEETS GS-14-920 SPECIFICATION EQUIVALENT THICKNESS Au AND GXT PLATING HAVE SAME FUNCTION AND THEY ARE ALTERNATIVE BY THE CUSTOEMR .

LEAD FREE PRODUCT NO.



DIRECTION OF DISMOUNT



JACK DISMOUNT METHOD

DETAIL A
NOTE 5

mat'l. code	surface	tolerance	projection	product family
ISI1302	ISI1302	ISI1302	ISI1302	MOD JACK
trlec naddr	date	angle	width	title
M T00202	07/04/00	0°	0.X±0.3	
N N04-0102	11/23/04	0°	0.XX±0.15	
P N06-0039	03/10/06	0°±2'	0.XXX±0.05	
R N08-0097	09/25/08	0°	0.XXX±0.05	
S ELX-N-010800	03/14/12	0°	0.XXX±0.05	
T ELX-N-158008	09/23/13	0°	0.XXX±0.05	
sheet index	revision	appd	engr	date
		JENN TSAO	TONY CHIEN	01/08/97
			TONY CHIEN	01/08/97
			JENN TSAO	01/08/97

8 POS VERT. SNAP PEG	awg no	sheet 2 of 2	size
P.C.B. III MOD JACK ASSY		90598	A4
	type	Product Customer Drawing	

