



Chipsmall Limited consists of a professional team with an average of over 10 year of expertise in the distribution of electronic components. Based in Hongkong, we have already established firm and mutual-benefit business relationships with customers from,Europe,America and south Asia,supplying obsolete and hard-to-find components to meet their specific needs.

With the principle of “Quality Parts,Customers Priority,Honest Operation,and Considerate Service”,our business mainly focus on the distribution of electronic components. Line cards we deal with include Microchip,ALPS,ROHM,Xilinx,Pulse,ON,Everlight and Freescale. Main products comprise IC,Modules,Potentiometer,IC Socket,Relay,Connector.Our parts cover such applications as commercial,industrial, and automotives areas.

We are looking forward to setting up business relationship with you and hope to provide you with the best service and solution. Let us make a better world for our industry!



## Contact us

Tel: +86-755-8981 8866 Fax: +86-755-8427 6832

Email & Skype: info@chipsmall.com Web: www.chipsmall.com

Address: A1208, Overseas Decoration Building, #122 Zhenhua RD., Futian, Shenzhen, China



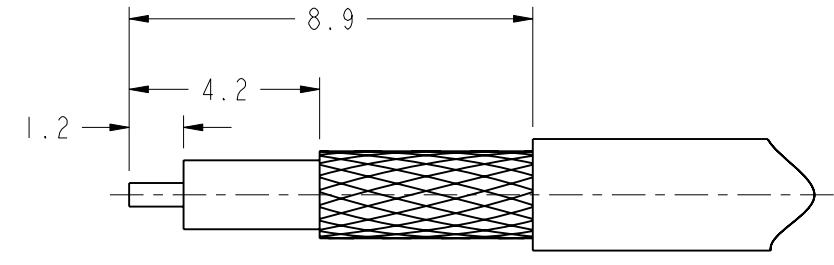
NOTES:

1. MATERIAL AND FINISH:  
 BODY - BRASS, GOLD PLATING  
 CONTACT - BRASS, GOLD PLATING  
 INSULATOR - PTFE, NATURAL
2. ELECTRICAL:  
 A. IMPEDANCE: 50 OHM  
 B. FREQUENCY RANGE: 0-6 GHz  
 C. DIELECTRIC WITHSTANDING VOLTAGE: 500 VRMS. MIN.
3. MECHANICAL:  
 A. DURABILITY: 500 CYCLES MIN.  
 B. TEMPERATURE RANGE: -65°C TO +165°C
4. CRIMPED FERRULE  
 HEX CRIMP SIZE .128"
5. CONTACT PIN TO SOLDER

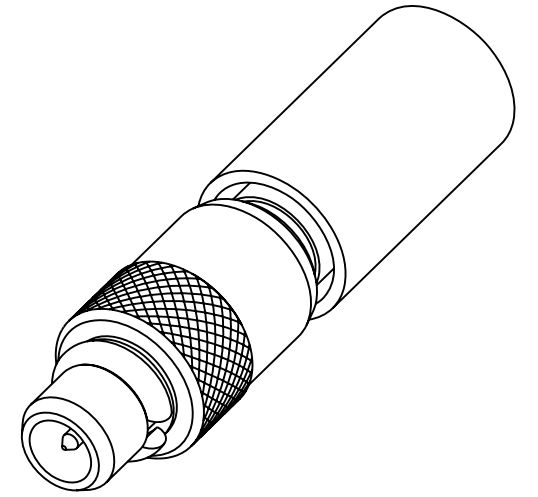
THIRD ANGLE PROJ.

REVISIONS

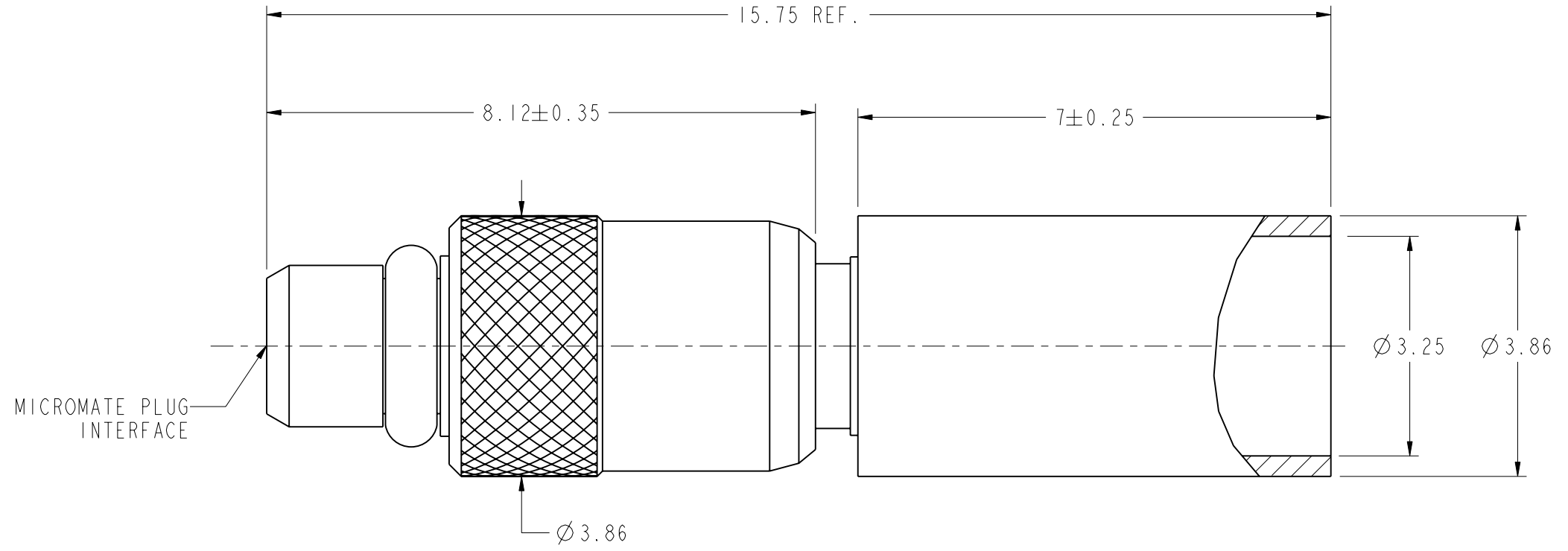
REV	DESCRIPTION	DATE	ECO	APPR
A	RELEASE TO MFG.	11/07/96	41601	BCG
B	CONTACT PIN WAS CHANGED	04/27/00	43271	CPM
C	CABLE STRIPPING 9.27 WAS 8.63; 8.25 WAS 7.62	02/21/01	43666	CPM
D	TRANSFERED TO ARFA	07-24-09	---	ANDY
E	BODY WAS CHANGED	11-Jan-10	---	ANDY
F	BODY WAS CHANGED	31-Mar-11	48431	SH



RECOMMENDED  
CABLE STRIPPING DIM'S



SCALE 6.000



**CUSTOMER OUTLINE DRAWING**  
ALL OTHER SHEETS ARE FOR INTERNAL USE ONLY

UNLESS OTHERWISE SPECIFIED, DIMENSIONS ARE IN METRIC AND TOLERANCES ARE: <0.5mm ±0.05mm    0.5 - 6mm ±0.1mm    6 - 30mm ±0.2mm    30 - 120mm ±0.3mm    ANGLES ±1°	MATERIAL	DRAWN T. DENG	DATE 29-Mar-11	TITLE MICROMATE PLUG CRIMP TYPE FOR RG-316 CABLE	Amphenol RF www.amphenolrf.com
	REFERENCE EAR 964688-0 GEN# ASSYM3.MMCX	ENGINEER B. GLEISSNER	DATE 03-Jun-09		
NOTICE - These drawings, specifications, or other data (1) are, and remain the property of Amphenol corp. (2) must be returned upon request; and (3) are confidential and not to be disclosed to any person other than those to whom they are given by Amphenol Corp. the finishing of these drawings, specifications, or other data by Amphenol Corp., or to any other person to anyone for any purpose is not to be regarded by implication or otherwise in any manner licensing, granting rights to permitting such holder or any other person to manufacture, use or sell any product, process or design, patented or otherwise, that may in any way be related to or disclosed by said drawings, specifications, or other data.	CONFIGURATION LEVEL:	I:\MMCX\908-41300		SCALE: 12.0:1.0	SHEET 2 OF 2
	FINISH	DWG SIZE B	REV F	DRAWING NO. 908-41300 ITEM NO. 908-41300 PART NO. 908-41300	