



Chipsmall Limited consists of a professional team with an average of over 10 year of expertise in the distribution of electronic components. Based in Hongkong, we have already established firm and mutual-benefit business relationships with customers from,Europe,America and south Asia,supplying obsolete and hard-to-find components to meet their specific needs.

With the principle of “Quality Parts,Customers Priority,Honest Operation,and Considerate Service”,our business mainly focus on the distribution of electronic components. Line cards we deal with include Microchip,ALPS,ROHM,Xilinx,Pulse,ON,Everlight and Freescale. Main products comprise IC,Modules,Potentiometer,IC Socket,Relay,Connector.Our parts cover such applications as commercial,industrial, and automotives areas.

We are looking forward to setting up business relationship with you and hope to provide you with the best service and solution. Let us make a better world for our industry!



Contact us

Tel: +86-755-8981 8866 Fax: +86-755-8427 6832

Email & Skype: info@chipsmall.com Web: www.chipsmall.com

Address: A1208, Overseas Decoration Building, #122 Zhenhua RD., Futian, Shenzhen, China



NOTES:

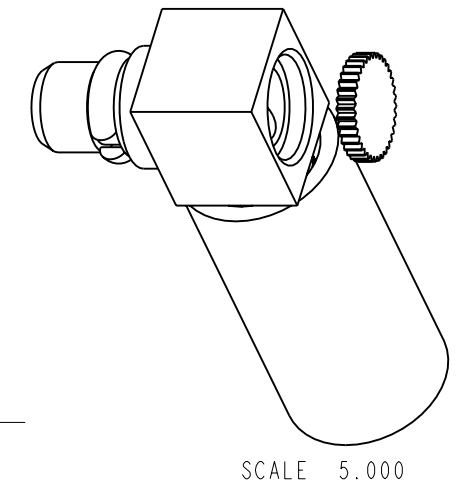
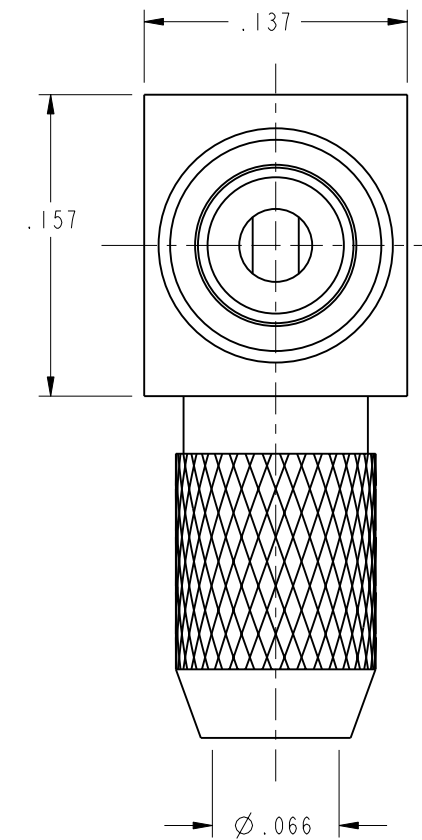
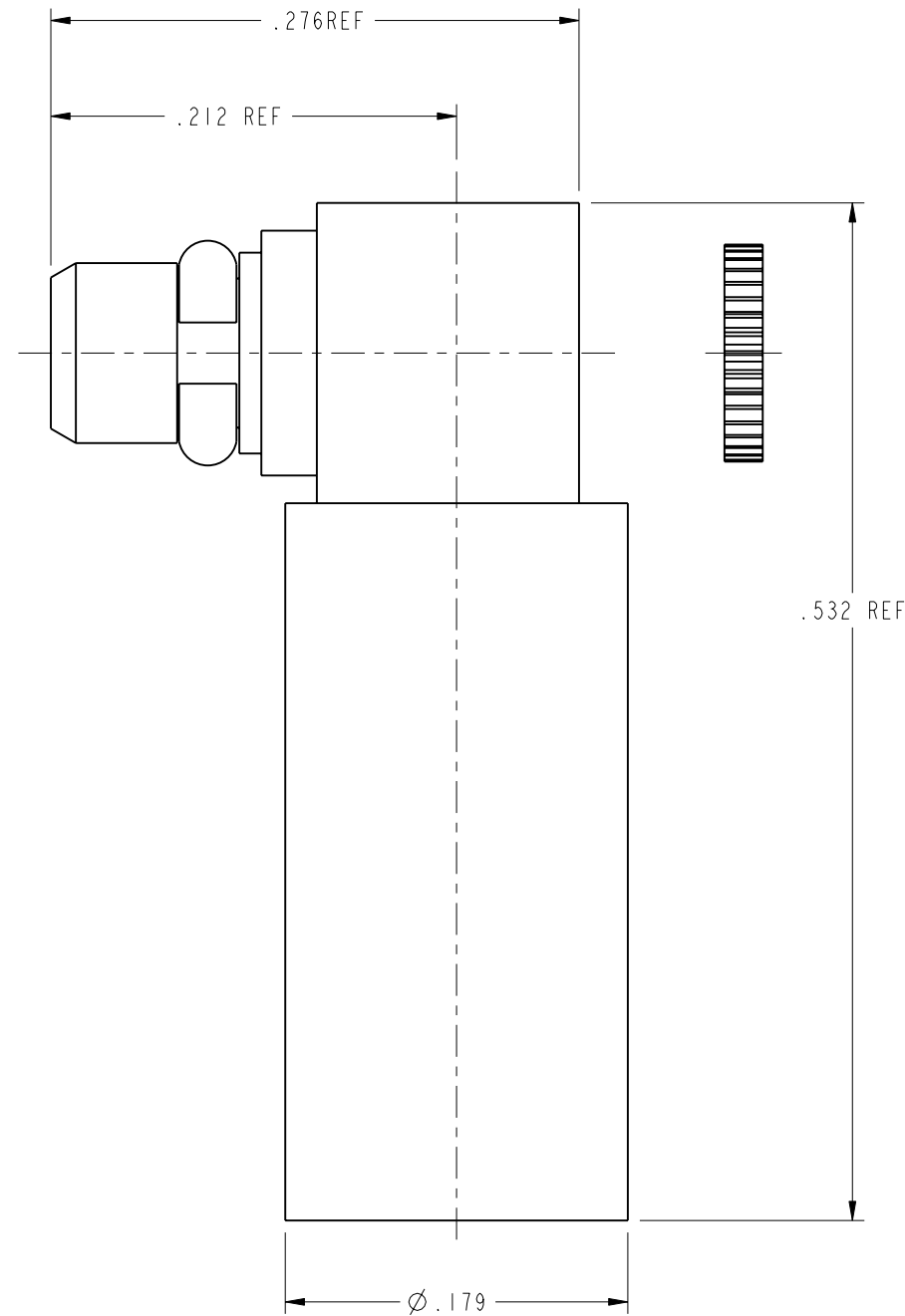
1. DO NOT SCALE THIS DRAWING.
2. MATERIAL AND FINISH:
 BODY: BRASS, GOLD PLATED
 CONTACT: BRASS, GOLD PLATED
 CAP: BRASS, GOLD PLATED
 FERRULE: ANNEALED COPPER, GOLD PLATED
 INSULATOR: PTFE
3. USE ASSEMBLY INSTRUCTIONS 349-50598 AND CRIMP USING TOOL 227-944, DIE 227-1221-37 CAVITY "B" (.151 HEX).
4. LEAD FREE SOLDER CENTER CONTACT.

908-43500

DRAWING NO. THIRD ANGLE PROJ.

REVISIONS

REV	DESCRIPTION	DATE	ECO	APPR
A	OFFICIAL ENG. RELEASE TO MFG.	6/6/95	40634	GT/RV
D	SEE SHEET I	11/17/99	43171	PB/TA
E	SEE SHEET I	9/7/05	45686	CPM
F	SEE SHEET I	3/29/06	45994	CPM



CUSTOMER OUTLINE DRAWING
 ALL OTHER SHEETS ARE FOR INTERNAL USE ONLY

UNLESS OTHERWISE SPECIFIED, DIMENSIONS ARE IN INCHES AND TOLERANCES ARE:
 2 PLACE DECIMAL ±.015 (0,381 mm)
 3 PLACE DECIMAL ±.005 (0,127 mm)
 ANGLES ± 1°

NOTICE - These drawings, specifications, or other data (1) are, and remain the property of Amphenol Corp. (2) must be returned upon request; and (3) are confidential and not to be disclosed to any person other than those to whom they are given by Amphenol Corp. The furnishing of these drawings, specifications, or other data by Amphenol Corp., or to any other person to anyone for any purpose is not to be regarded by implication or otherwise in any manner licensing, granting rights or permitting such holder or any other person to manufacture, use or sell any product, process or design, patented or otherwise, that may in any way be related to or disclosed by said drawings, specifications, or other data.

MATERIAL

REFERENCE
 EAR 966629 0
 EAR 964683 0
 GEN# ASSYM6_MMCX

DRAWN
 B. GLEISSNER
 DATE
 18 MAY 96

ENGINEER
 R. VACCARO
 DATE
 18 MAY 95

APPROVED
 B. GLEISSNER
 DATE
 20 MAY 96

CAD FILE
 I:\MMCX\908-43500

TITLE
 MMCX PLUG
 RIGHT ANGLE
 RD-316/U CABLE

CODE ID
 74868

Amphenol RF
 Danbury, CT, USA
 Tainan, Taiwan
 Shenzhen, China
 www.amphenolrf.com

SCALE: 10.0:1 SHEET 2 OF 2

DWG SIZE
 B

DRAWING NO.
 908-43500

REV
 F