



Chipsmall Limited consists of a professional team with an average of over 10 year of expertise in the distribution of electronic components. Based in Hongkong, we have already established firm and mutual-benefit business relationships with customers from,Europe,America and south Asia,supplying obsolete and hard-to-find components to meet their specific needs.

With the principle of “Quality Parts,Customers Priority,Honest Operation,and Considerate Service”,our business mainly focus on the distribution of electronic components. Line cards we deal with include Microchip,ALPS,ROHM,Xilinx,Pulse,ON,Everlight and Freescale. Main products comprise IC,Modules,Potentiometer,IC Socket,Relay,Connector.Our parts cover such applications as commercial,industrial, and automotives areas.

We are looking forward to setting up business relationship with you and hope to provide you with the best service and solution. Let us make a better world for our industry!



## Contact us

Tel: +86-755-8981 8866 Fax: +86-755-8427 6832

Email & Skype: info@chipsmall.com Web: www.chipsmall.com

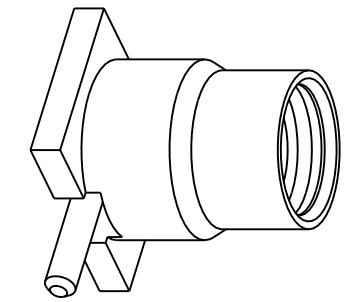
Address: A1208, Overseas Decoration Building, #122 Zhenhua RD., Futian, Shenzhen, China



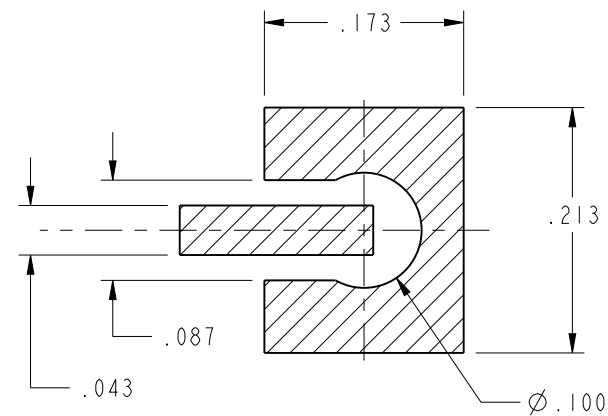
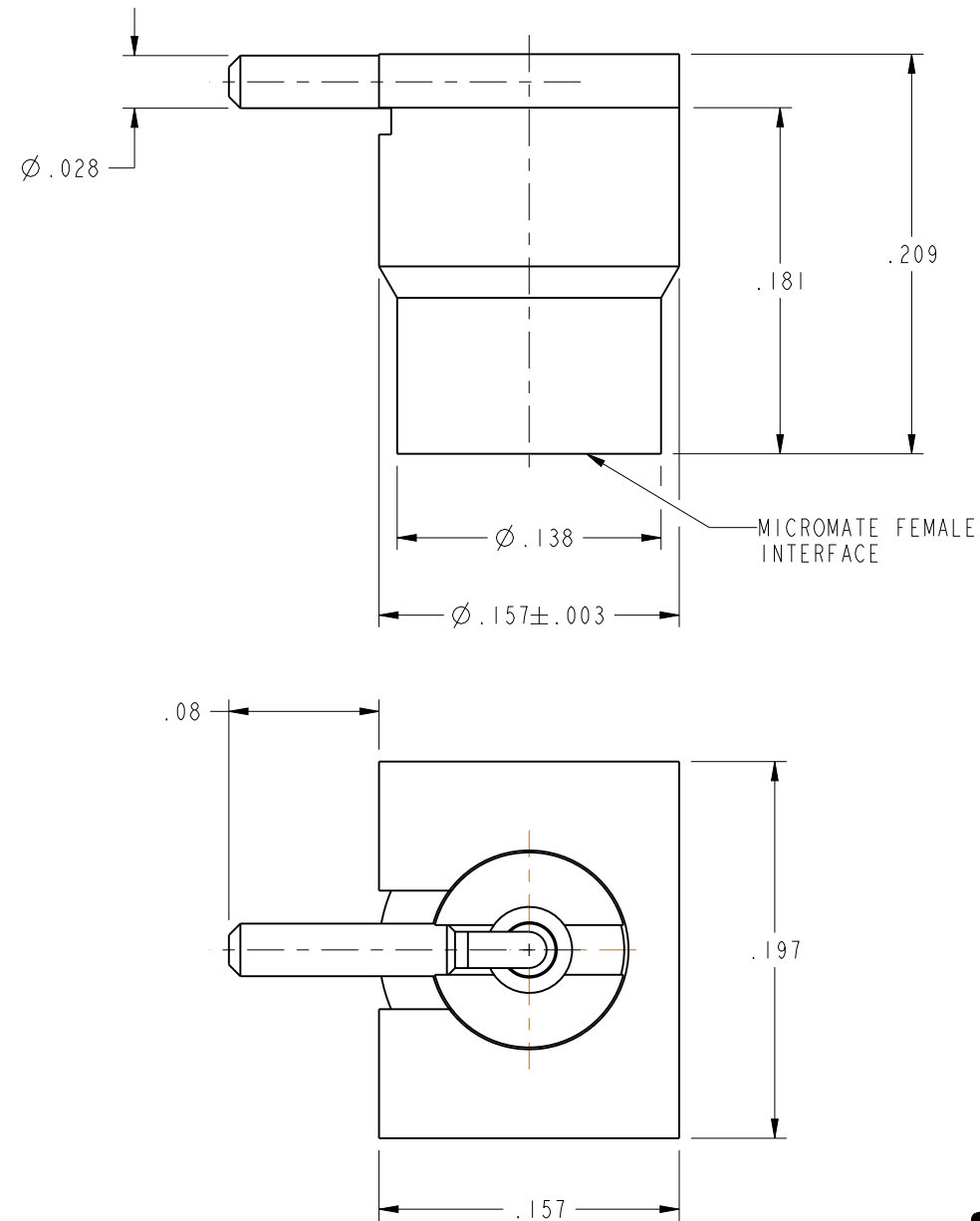
NOTES:

1. MATERIALS AND FINISHES:  
 BODY - BERYLLIUM COPPER, GOLD PLATING,  
 CONTACT - BERYLLIUM COPPER, GOLD PLATING,  
 INSULATOR - PTFE
2. ELECTRICAL:  
 A. IMPEDANCE: 50 OHM  
 B. FREQUENCY RANGE: DC - 6 GHz
3. PHYSICAL:  
 A. DURABILITY: 500 CYCLES MIN.  
 B. TEMPERATURE RANGE: -65° C TO 165° C
4. PACKAGING:  
 A. QUANTITY: SINGLE PACK  
 B. MARKING:  
 AMPHENOL  
 908-NM22109  
 DATE CODE

908-NM22109		REVISIONS			
DRAWING NO.	REV	DESCRIPTION	DATE	ECO	APPR
FIRST ANGLE PROJ.	A	RELEASE TO MFG	5/8/09	47457	CL
	B	IMPROVED MATING FORCES	8/27/12	49216	DD



SCALE 6.000



**RECOMMENDED PCB LAYOUT  
(TOP MOUNT)  
SCALE 6.000**

**NON-MAGNETIC**

**CUSTOMER OUTLINE DRAWING  
ALL OTHER SHEETS ARE FOR INTERNAL USE ONLY**

UNLESS OTHERWISE SPECIFIED, DIMENSIONS ARE IN INCHES AND TOLERANCES ARE:  
 2 PLACE DECIMAL 3 PLACE DECIMAL ANGLES  
 ±.015 (0,381 mm) ±.005 (0,127 mm) ± 1°

NOTICE - These drawings, specifications, or other data (1) are, and remain the property of Amphenol Corp. (2) must be returned upon request; and (3) are confidential and not to be disclosed to any person other than those to whom they are given by Amphenol Corp. The furnishing of these drawings, specifications, or other data by Amphenol Corp., or to any other person for any purpose is not to be regarded by implication or otherwise in any manner licensing, granting rights or permitting such holder or any other person to manufacture, use or sell any product, process or design, patented or otherwise, that may in any way be related to or disclosed by said drawings, specifications, or other data.

MATERIAL  
SEE NOTES

REFERENCE  
GEN# ASSYF11 MMCX  
EAR# 1293  
615X-1740-100

DRAWN  
NISCHIT MV  
DATE  
8-May-08

ENGINEER  
NISCHIT MV  
DATE  
8-May-08

APPROVED  
K. CAPOZZI  
DATE  
5/8/09

CAD FILE  
I:\SMP\908-NM22109908-NM22109

TITLE  
MMCX JACK PCB  
SMT REAR MOUNT  
OR TOP MOUNT

Amphenol  
Amphenol Corporation  
Communication and Network  
Products Division  
Danbury, CT U.S.A. 06810

SCALE: 10.0:1 SHEET 2 OF 2

CODE ID 74868	DWG SIZE B	DRAWING NO. 908-NM22109	REV B
------------------	---------------	----------------------------	----------