



Chipsmall Limited consists of a professional team with an average of over 10 year of expertise in the distribution of electronic components. Based in Hongkong, we have already established firm and mutual-benefit business relationships with customers from,Europe,America and south Asia,supplying obsolete and hard-to-find components to meet their specific needs.

With the principle of “Quality Parts,Customers Priority,Honest Operation,and Considerate Service”,our business mainly focus on the distribution of electronic components. Line cards we deal with include Microchip,ALPS,ROHM,Xilinx,Pulse,ON,Everlight and Freescale. Main products comprise IC,Modules,Potentiometer,IC Socket,Relay,Connector.Our parts cover such applications as commercial,industrial, and automotives areas.

We are looking forward to setting up business relationship with you and hope to provide you with the best service and solution. Let us make a better world for our industry!



Contact us

Tel: +86-755-8981 8866 Fax: +86-755-8427 6832

Email & Skype: info@chipsmall.com Web: www.chipsmall.com

Address: A1208, Overseas Decoration Building, #122 Zhenhua RD., Futian, Shenzhen, China



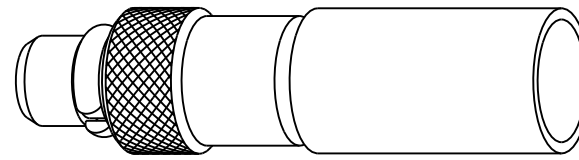
NOTES:

1. MATERIALS AND FINISHES:
 BODY COMPONENTS - BeCu, WHITE BRONZE (Cu, Sn, Zn) PLATING
 CONTACT AND C-RING - BeCu, GOLD PLATING OVER WHITE BRONZE (Cu, Sn, Zn)
 FERRULE - COPPER TUBING, WHITE BRONZE (Cu, Sn, Zn) PLATING
 INSULATOR - PTFE
2. ELECTRICAL:
 A. IMPEDANCE: 50 OHM
 B. FREQUENCY RANGE: DC - 6 GHz
 C. VSWR(RETURN LOSS): 1.20:1 (21 dB), MAX.
 D. DIELECTRIC WITHSTANDING VOLTAGE: 500 VRMS, MIN.
3. MECHANICAL:
 A. DURABILITY: 500 CYCLES MIN.
 B. TEMPERATURE RANGE: -65° C TO 165° C
 C. SOLDER CONTACT
 D. CRIMP FERRULE WITH .128 INCH HEX
4. PACKAGING:
 A. QUANTITY: BULK PACK 100 PER
 B. MARKING: BAG TO BE MARKED
 "AMPHENOL, 908-NM41300, DATE CODE, AND NON MAGNETIC"

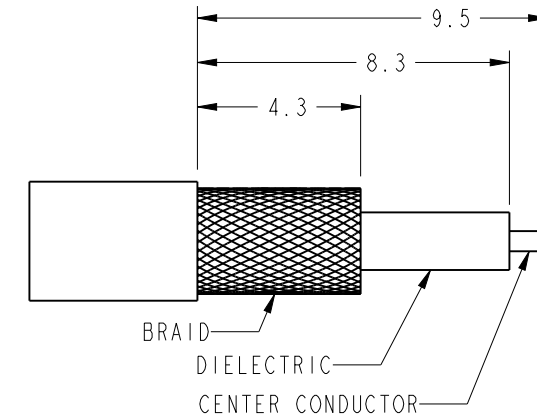
THIRD ANGLE PROJ.

REVISIONS

REV	DESCRIPTION	DATE	ECO	APPR
A	RELEASE TO MFG.	10/24/06	46108	KJC
B	SEE SHEET 2.	10/24/06	46304	KJC
C	SEE SHEET 2	4/14/11	48339	JTS

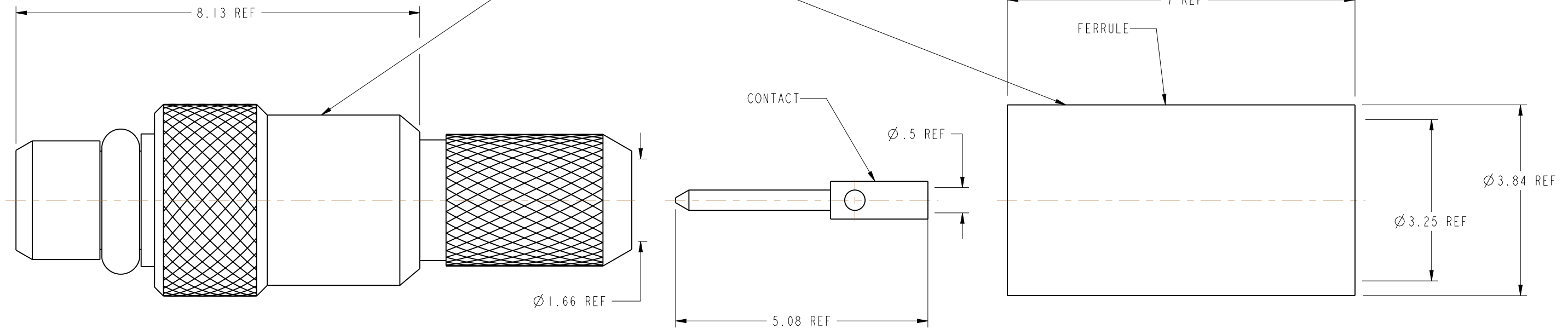


SCALE 5.000



RECOMMENDED CABLE STRIPPING DIMENSIONS
SCALE 5.000

THESE SURFACES MARKED "NM"
TO SIGNIFY NON MAGNETIC PARTS



CUSTOMER OUTLINE DRAWING

ALL OTHER SHEETS ARE FOR INTERNAL USE ONLY

UNLESS OTHERWISE SPECIFIED, DIMENSIONS ARE IN METRIC AND TOLERANCES ARE:
 0.5 - 6mm ±0.1mm 6 - 30mm ±0.2mm 30 - 120mm ± 0.3mm ANGLES ±1°

NOTICE - These drawings, specifications, or other data (1) are, and remain the property of Amphenol corp. (2) must be returned upon request; and (3) are confidential and not to be disclosed to any person other than those to whom they are given by Amphenol Corp., the furnishing of these drawings, specifications, or other data by Amphenol Corp., or to any other person to anyone for any purpose is not to be regarded by implication or otherwise in any manner licensing, granting rights to permitting such holder or any other sperson to manufacture, use or sell any product, process or design, patented or otherwise, that may in any way be related to or disclosed by said drawings, specifications, or other data.

MATERIAL	-
REFERENCE	EAR # 1952 AND
CONFIGURATION LEVEL:	
FINISH	

DRAWN	K. CAPOZZI	DATE	18-Jul-06
ENGINEER	K. CAPOZZI	DATE	18-Jul-06
APPROVED	B. C. GLEISSNER	DATE	10/24/06
CAD FILE			

TITLE		
ASSEMBLY MMCX, PLUG STR RG-316 NON MAGNETIC		
SCALE: 12.0:1.0	SHEET 2 OF 2	
DWG SIZE	CODE ID	REV
B	74868	C

Amphenol RF	
Danbury CT USA, Tainan, Taiwan, Shenzhen, China www.amphenolrf.com	
DRAWING NO.	
ITEM NO.	908-NM41300