



Chipsmall Limited consists of a professional team with an average of over 10 year of expertise in the distribution of electronic components. Based in Hongkong, we have already established firm and mutual-benefit business relationships with customers from,Europe,America and south Asia,supplying obsolete and hard-to-find components to meet their specific needs.

With the principle of “Quality Parts,Customers Priority,Honest Operation,and Considerate Service”,our business mainly focus on the distribution of electronic components. Line cards we deal with include Microchip,ALPS,ROHM,Xilinx,Pulse,ON,Everlight and Freescale. Main products comprise IC,Modules,Potentiometer,IC Socket,Relay,Connector.Our parts cover such applications as commercial,industrial, and automotives areas.

We are looking forward to setting up business relationship with you and hope to provide you with the best service and solution. Let us make a better world for our industry!



Contact us

Tel: +86-755-8981 8866 Fax: +86-755-8427 6832

Email & Skype: info@chipsmall.com Web: www.chipsmall.com

Address: A1208, Overseas Decoration Building, #122 Zhenhua RD., Futian, Shenzhen, China





SWING HANDLE - ALL METAL



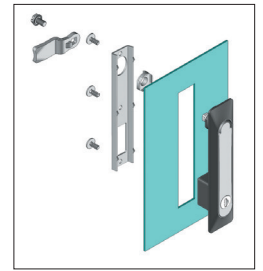
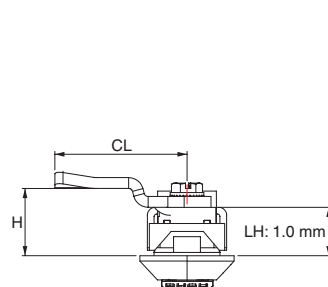
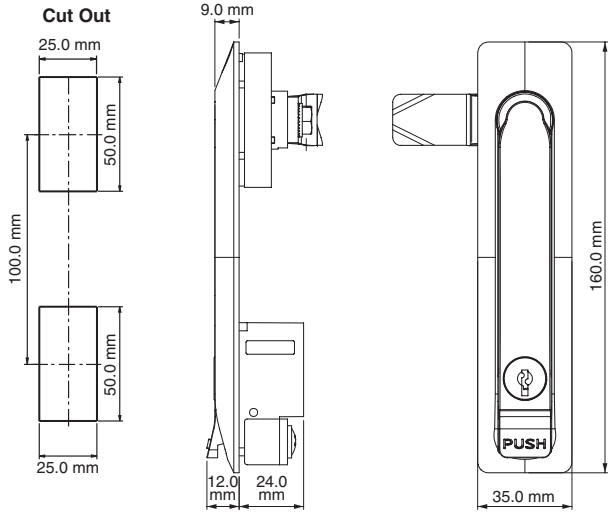
*Example with cam.
Cam sold separately.

Specifications

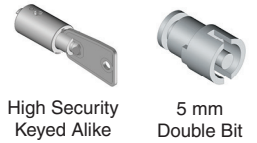
- Material:
Body: Zinc Alloy (Zamak) DIN-EN 1774-ZnAl4Cu1 or PA6 GFR 30
Handle: Zinc Alloy (Zamak) DIN-EN 1774-ZnAl4Cu1
Cam: Steel or PA6 GFR 30
Seal: Polyurethane

Features

- Swing handle with push button
- Standard cut out
- Ultra low external profile, just 9.0 mm to give flush appearance
- Applications: Electric panels, machinery covers, rack enclosures

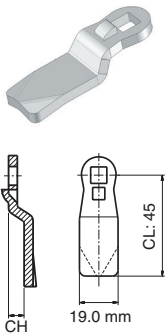


Driver/Head Styles



Item Number					
Handle / Body Finish					
Chrome / Chrome	Black / Black	Chrome / Black	Black / Chrome	Driver or Cylinder	Cam
908-11-11-00-00	908-12-12-00-00	908-11-12-00-00	908-12-11-00-00	None	Select Cam Below
908-11-11-07-00	908-12-12-07-00	908-11-12-07-00	908-12-11-07-00	CH751	Select Cam Below
908-11-11-15-00	—	908-11-12-15-00	908-12-11-15-00	5mm Double bit	Select Cam Below
908-11-11-20-00	908-12-12-20-00	908-11-12-20-00	908-12-11-20-00	High-Security	Select Cam Below

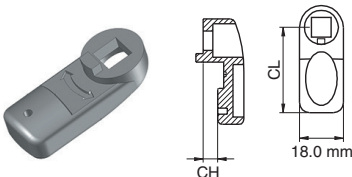
Steel Cam



Item Number	CH (mm)	CL (mm)	H (mm)
30403033	0.0	45.0	18.5
30403439	1.0	45.0	19.5
30403159	2.0	45.0	20.5
30403063	3.0	45.0	21.5
30403149	4.0	45.0	22.5
30403160	6.0	45.0	24.5
30403161	8.0	45.0	26.5
30403162	10.0	45.0	28.5
30403045	12.0	45.0	30.5
30403163	14.0	45.0	32.5
30403151	16.0	45.0	34.5

Item Number	CH (mm)	CL (mm)	H (mm)
30403165	18.0	45.0	36.5
30403166	20.0	45.0	38.5
30403167	22.0	45.0	40.5
30403168	24.0	45.0	42.5
30403169	-2.0	45.0	16.5
30403170	-4.0	45.0	14.5
30403171	-6.0	45.0	12.5
30403172	-8.0	45.0	10.5
30403173	-10.0	45.0	8.5
30403174	-12.0	45.0	6.5
30403175	-14.0	45.0	4.5

Nylon Cam



Item Number	CH (mm)	CL (mm)	H (mm)
30402004	0.0	35.0	18.5
30402011	0.0	25.0	18.5
30402005	6.0	35.0	24.5
30402008	4.0	45.0	22.5
30402013	-4.0	45.0	14.5