



Chipsmall Limited consists of a professional team with an average of over 10 year of expertise in the distribution of electronic components. Based in Hongkong, we have already established firm and mutual-benefit business relationships with customers from,Europe,America and south Asia,supplying obsolete and hard-to-find components to meet their specific needs.

With the principle of "Quality Parts,Customers Priority,Honest Operation,and Considerate Service",our business mainly focus on the distribution of electronic components. Line cards we deal with include Microchip,ALPS,ROHM,Xilinx,Pulse,ON,Everlight and Freescale. Main products comprise IC,Modules,Potentiometer,IC Socket,Relay,Connector.Our parts cover such applications as commercial,industrial, and automotives areas.

We are looking forward to setting up business relationship with you and hope to provide you with the best service and solution. Let us make a better world for our industry!



Contact us

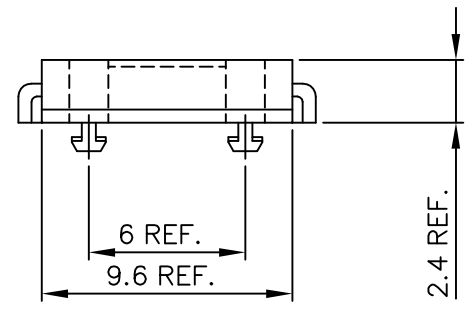
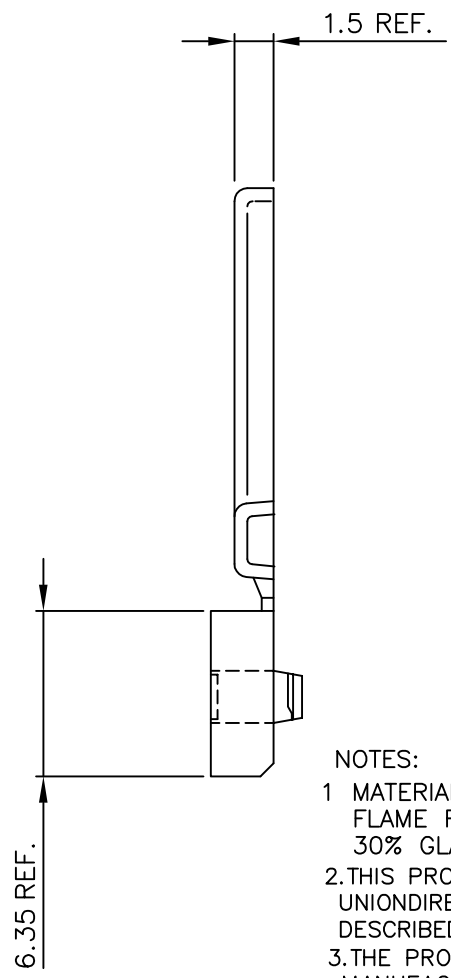
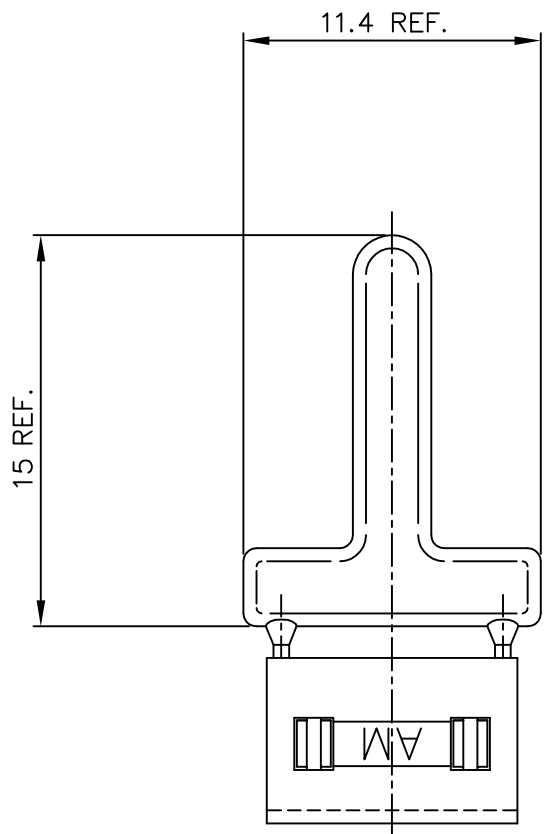
Tel: +86-755-8981 8866 Fax: +86-755-8427 6832

Email & Skype: info@chipsmall.com Web: www.chipsmall.com

Address: A1208, Overseas Decoration Building, #122 Zhenhua RD., Futian, Shenzhen, China


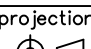
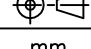


PRODUCT NUMBER 90837-101LF



NOTES:

- 1 MATERIAL: LIQUID CRYSTAL POLYMER.
FLAME RETARDANT ACC. UL 94-V0
30% GLASS FILLED, COLOR-GREEN.
- 2.THIS PRODUCT WITH "LF" SUFFIX MEETS EUROPEAN
UNION DIRECTIVES AND OTHER COUNTRY REGULATIONS AS
DESCRIBED IN GS -22-008.
- 3.THE PRODUCT IS NOT INTENDED TO BE EXPOSED TO A
MANUFACTURING SOLDER PROCESS.

mat'l. code SEE NOTE 1				tolerances unless otherwise specified			CUSTOMER COPY	 ELECTRONICS www.fciconnect.com	
ltr	ecn no	dr	date	linear				projection	title BLOCKING KEY HEADER
A	V11997	SCS	910715						
B	V31650	SCS	930830	angles					
C	V41309	RDO	940729						
D	H40388	RVI	940810	dr	D. de Bil	940609	mm	product family CENTRAL (tm)	code 213
E	0605-0383	CLu	051011	engr	E. Feijen	940729			
				chr	G.S. Lee	940609	scale 5:1	A3	sheet 1 of 1
				appd	G.S. Lee	940609			
sheet index	revision sheet	E	1						

Tous droits strictement reserves. Reproduction ou communication a des tiers interdite sous quelque forme que ce soit sans autorisation écrite du propriétaire. © FCI b.v.
 Reproduction or issue to third parties in any form, whatever is not permitted without written authority from the proprietor. © FCI b.v.
 All rights strictly reserved. Reproduction or issue to third parties in any form, whatever is not permitted without written authority from the proprietor. © FCI b.v.