



Chipsmall Limited consists of a professional team with an average of over 10 year of expertise in the distribution of electronic components. Based in Hongkong, we have already established firm and mutual-benefit business relationships with customers from,Europe,America and south Asia,supplying obsolete and hard-to-find components to meet their specific needs.

With the principle of “Quality Parts,Customers Priority,Honest Operation,and Considerate Service”,our business mainly focus on the distribution of electronic components. Line cards we deal with include Microchip,ALPS,ROHM,Xilinx,Pulse,ON,Everlight and Freescale. Main products comprise IC,Modules,Potentiometer,IC Socket,Relay,Connector.Our parts cover such applications as commercial,industrial, and automotives areas.

We are looking forward to setting up business relationship with you and hope to provide you with the best service and solution. Let us make a better world for our industry!



## Contact us

Tel: +86-755-8981 8866 Fax: +86-755-8427 6832

Email & Skype: info@chipsmall.com Web: www.chipsmall.com

Address: A1208, Overseas Decoration Building, #122 Zhenhua RD., Futian, Shenzhen, China



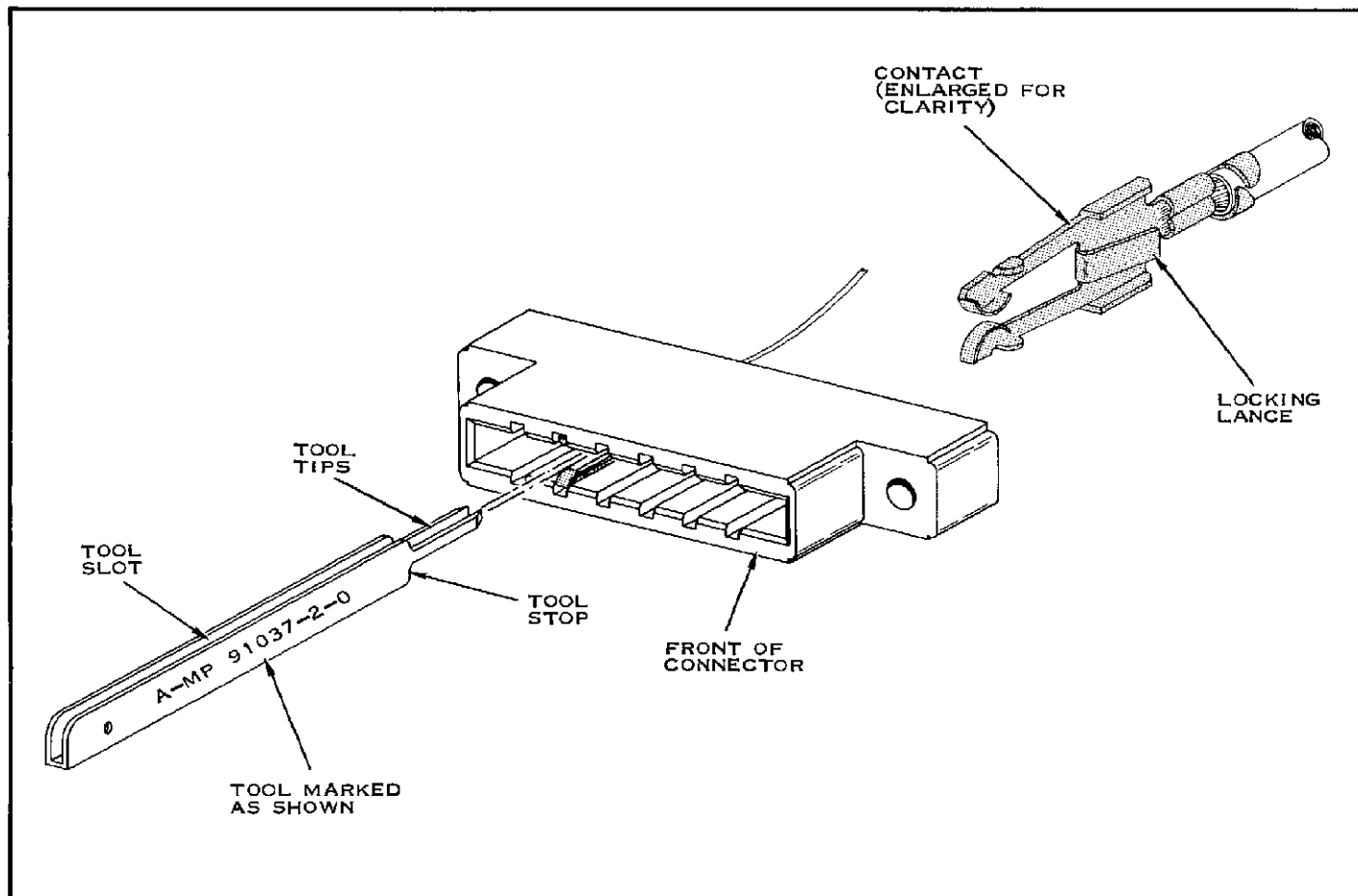


FIGURE 1

## 1. INTRODUCTION

The A-M-P Extraction Tool 91037-2 is designed to remove Modified Fork Contacts from Connectors having .156 inch centers. The tool can be used with the Slot UP (as shown) or DOWN.

## 2. EXTRACTION PROCEDURE

Determine the contact to be removed then proceed as follows:

1. Align the tool so that contact will enter between the Tool Tips as shown in Figure 1.
2. Insert the Tool Tips straight into the cavity until the Tool Stop bottoms on the Connector.
3. Remove the contact by pulling back gently on the applicable wire. The contact will come out easily.
4. Remove the tool from the connector.