



Chipsmall Limited consists of a professional team with an average of over 10 year of expertise in the distribution of electronic components. Based in Hongkong, we have already established firm and mutual-benefit business relationships with customers from,Europe,America and south Asia,supplying obsolete and hard-to-find components to meet their specific needs.

With the principle of “Quality Parts,Customers Priority,Honest Operation,and Considerate Service”,our business mainly focus on the distribution of electronic components. Line cards we deal with include Microchip,ALPS,ROHM,Xilinx,Pulse,ON,Everlight and Freescale. Main products comprise IC,Modules,Potentiometer,IC Socket,Relay,Connector.Our parts cover such applications as commercial,industrial, and automotives areas.

We are looking forward to setting up business relationship with you and hope to provide you with the best service and solution. Let us make a better world for our industry!



Contact us

Tel: +86-755-8981 8866 Fax: +86-755-8427 6832

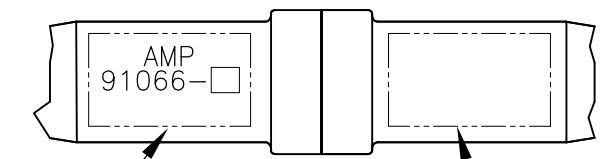
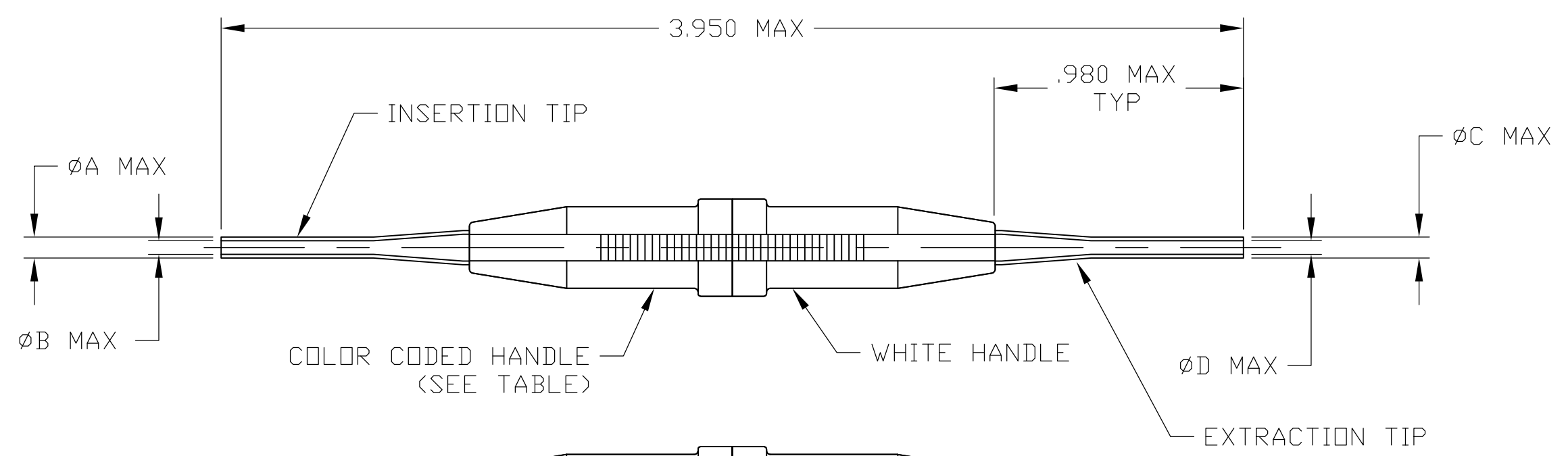
Email & Skype: info@chipsmall.com Web: www.chipsmall.com

Address: A1208, Overseas Decoration Building, #122 Zhenhua RD., Futian, Shenzhen, China



THIS DRAWING IS UNPUBLISHED. RELEASED FOR PUBLICATION N/A ,N/A .
 © COPYRIGHT N/A By - ALL RIGHTS RESERVED.

LOC	DIST	REVISIONS					
DF	AO	P	LTR	DESCRIPTION	DATE	DWN	APVD
				D1 REVISED PER ECO-11-005030	11MAR11	RK	HMR



MARKING IN APPROX. AREA AS SHOWN REF

M81969-SQ BLOCK SYMBOL

1. FOR CORRECT TOOL USAGE SEE INSTRUCTION SHEET: I. S. 408-7491.

-	.072	.087	.073	.085	RED	20	91066-4
M81969/1-03	.116	.136	.114	.134	BLUE	16	91066-3
M81969/1-01	.055	.074	.056	.065	LT. GREEN	22	91066-1
MILITARY PART NO. REF	DIM D	DIM C	DIM B	DIM A	COLOR CODE	SIZE	PART NUMBER

THIS DRAWING IS A CONTROLLED DOCUMENT.

DIMENSIONS: INCHES	TOLERANCES UNLESS OTHERWISE SPECIFIED:	DWN C.C.THOMAS 4-30-03	TE Connectivity NAME - INSERTION/EXTRACTION TOOL -
	0 PLC ± -	CHK S.GLATFELTER 4-30-03	
	1 PLC ± -	APVD S.GLATFELTER 4-30-03	
	2 PLC ± -	PRODUCT SPEC -	
	3 PLC ± -	APPLICATION SPEC -	SIZE
	4 PLC ± -	WEIGHT -	CAGE CODE
	ANGLES ± -	CUSTOMER DRAWING	DRAWING NO
MATERIAL PLASTIC & STEEL	FINISH NICKEL PLATED	SCALE 2:1	RESTRICTED TO -
		SHEET 1 OF 1	REV D1