



Chipsmall Limited consists of a professional team with an average of over 10 year of expertise in the distribution of electronic components. Based in Hongkong, we have already established firm and mutual-benefit business relationships with customers from,Europe,America and south Asia,supplying obsolete and hard-to-find components to meet their specific needs.

With the principle of "Quality Parts,Customers Priority,Honest Operation,and Considerate Service",our business mainly focus on the distribution of electronic components. Line cards we deal with include Microchip,ALPS,ROHM,Xilinx,Pulse,ON,Everlight and Freescale. Main products comprise IC,Modules,Potentiometer,IC Socket,Relay,Connector.Our parts cover such applications as commercial,industrial, and automotives areas.

We are looking forward to setting up business relationship with you and hope to provide you with the best service and solution. Let us make a better world for our industry!



## Contact us

Tel: +86-755-8981 8866 Fax: +86-755-8427 6832

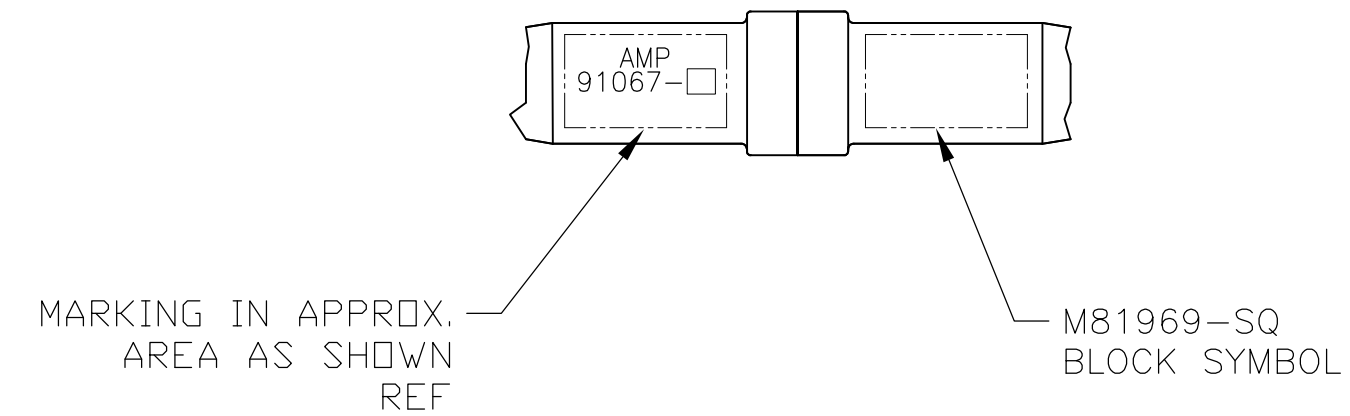
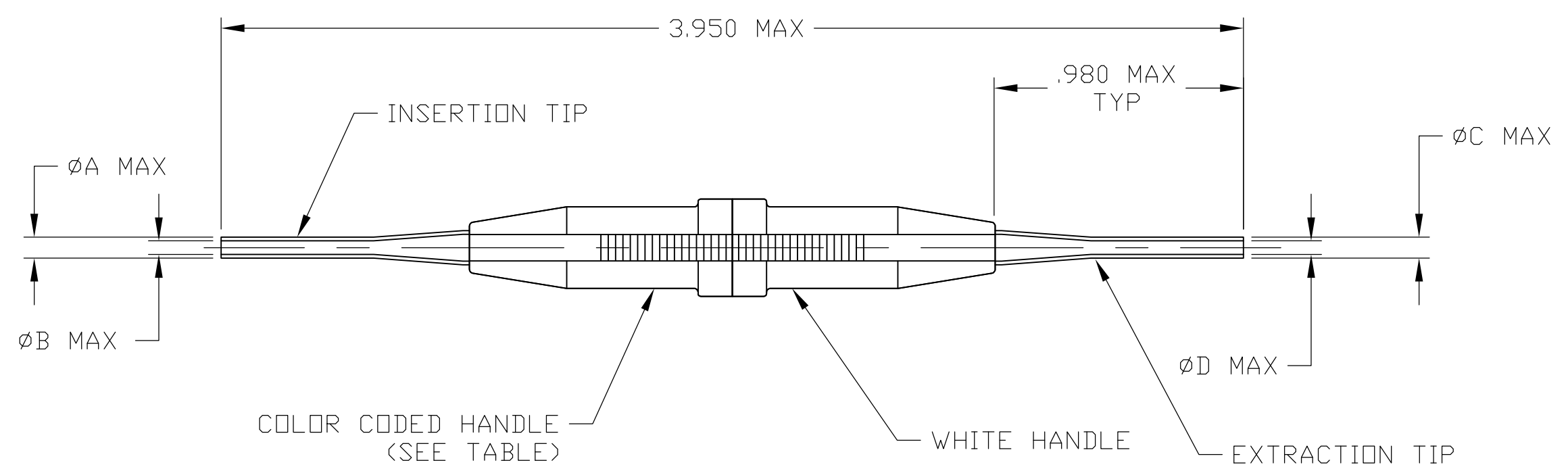
Email & Skype: info@chipsmall.com Web: www.chipsmall.com

Address: A1208, Overseas Decoration Building, #122 Zhenhua RD., Futian, Shenzhen, China



THIS DRAWING IS UNPUBLISHED. RELEASED FOR PUBLICATION N/A ,N/A .  
 © COPYRIGHT N/A By - ALL RIGHTS RESERVED.

LOC	DIST	REVISIONS					
DF	AO	P	LTR	DESCRIPTION	DATE	DWN	APVD
		E1		REVISED PER ECO-11-005030	11MAR11	RK	HMR



1. FOR CORRECT TOOL USAGE SEE INSTRUCTION SHEET: I. S. 408-7508

M81969/1-02	.072	.087	.072	.085	RED	20	91067-2
M81969/1-04	.053	.065	.056	.065	GREEN	22	91067-1
MILITARY PART NO. REF	DIM D	DIM C	DIM B	DIM A	COLOR CODE	SIZE	PART NUMBER

THIS DRAWING IS A CONTROLLED DOCUMENT.

DIMENSIONS: INCHES	TOLERANCES UNLESS OTHERWISE SPECIFIED:	DWN C.C.THOMAS 08AUG2002	<b>STE</b> TE Connectivity
	0 PLC ± -	CHK S.GLATFELTER 8-12-02	
	1 PLC ± -	APVD S.GLATFELTER 8-12-02	
MATERIAL PLASTIC & STEEL	FINISH NICKEL PLATED	NAME	

PRODUCT SPEC: - APPLICATION SPEC: - WEIGHT: -

SIZE	CAGE CODE	DRAWING NO	RESTRICTED TO
A3	00779	C-91067	-

CUSTOMER DRAWING SCALE 2:1 SHEET 1 OF 1 REV E1