



Chipsmall Limited consists of a professional team with an average of over 10 year of expertise in the distribution of electronic components. Based in Hongkong, we have already established firm and mutual-benefit business relationships with customers from,Europe,America and south Asia,supplying obsolete and hard-to-find components to meet their specific needs.

With the principle of "Quality Parts,Customers Priority,Honest Operation,and Considerate Service",our business mainly focus on the distribution of electronic components. Line cards we deal with include Microchip,ALPS,ROHM,Xilinx,Pulse,ON,Everlight and Freescale. Main products comprise IC,Modules,Potentiometer,IC Socket,Relay,Connector.Our parts cover such applications as commercial,industrial, and automotives areas.

We are looking forward to setting up business relationship with you and hope to provide you with the best service and solution. Let us make a better world for our industry!



Contact us

Tel: +86-755-8981 8866 Fax: +86-755-8427 6832

Email & Skype: info@chipsmall.com Web: www.chipsmall.com

Address: A1208, Overseas Decoration Building, #122 Zhenhua RD., Futian, Shenzhen, China



AMPAMP INCORPORATED
HARRISBURG, PA 17105CUSTOMER HOTLINE
1 800 722-1111

REDUCED FOR PACKAGING

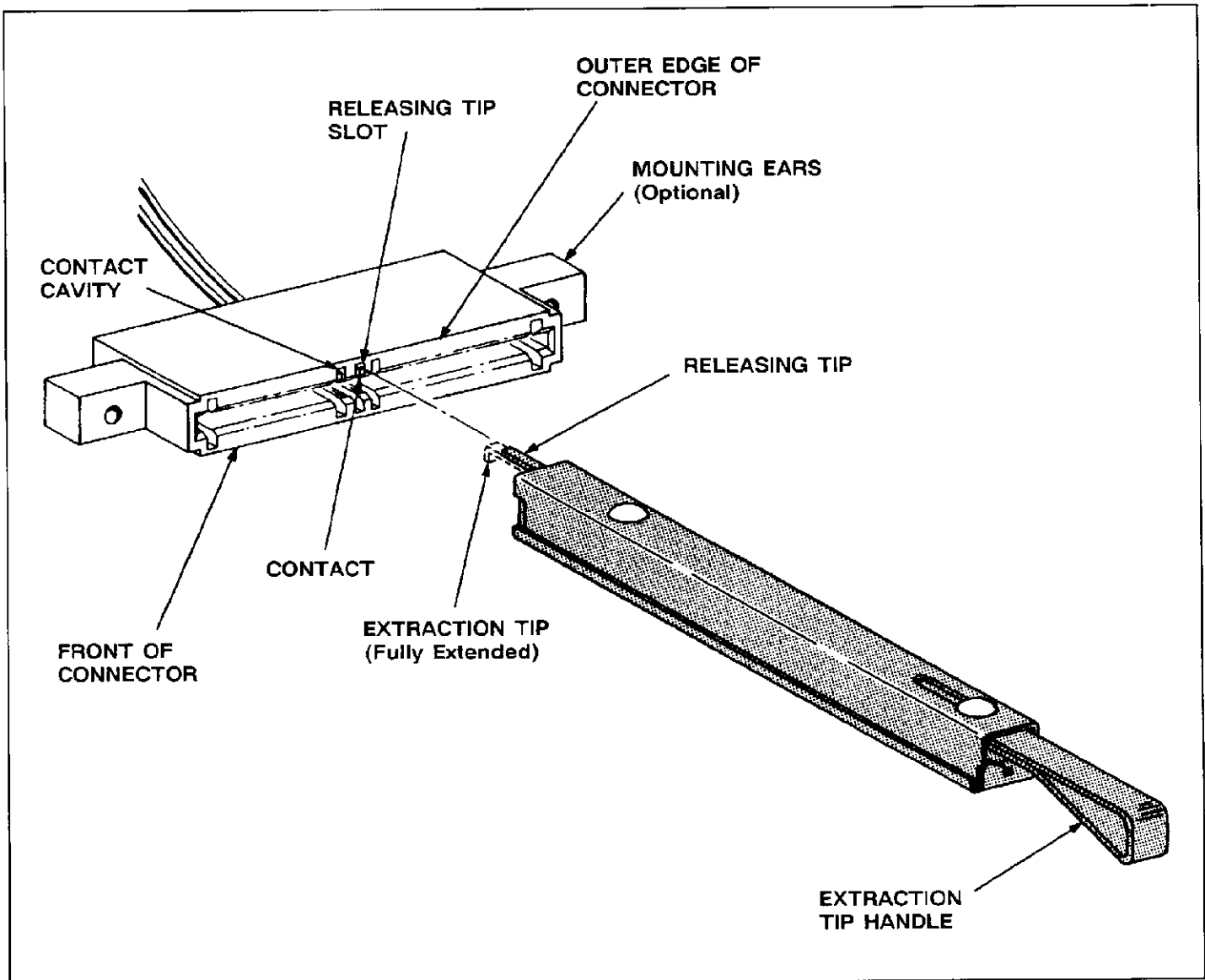
IS 7529AMP*
**EXTRACTION TOOL 91073-1
FOR AMP TWIN LEAF CONTACTS**RELEASED
8-24-89

Fig. 1

1. INTRODUCTION

AMP Extraction Tool 91073-1 is designed to remove AMP Twin Leaf contacts from AMP Twin Leaf Edge Connectors. Read these instructions thoroughly before starting.

2. DESCRIPTION (Figure 1)

The tool features a releasing tip which depresses the contact locking lance, and an extraction tip

which pushes the contact out of the cavity when the extraction handle is depressed.

3. EXTRACTION PROCEDURE

1. Align the releasing tip with the releasing tip slot, located between the contact to be removed and the outer edge of the connector, as shown in Figure 1.
2. Insert the releasing tip straight into the connector until it bottoms.

CAUTION

DO NOT pry or twist the tool when it is inserted in the connector. Damage to the tool and/or connector may result.

3. Hold the tool against the connector and depress the extraction handle. The contact will be backed partially out of the connector.
4. Pull the tool straight out of the slot taking care not to twist it.
5. Remove the contact from the back of the connector.

4. TOOL MAINTENANCE

AMP Extraction Tool 91073-1 conforms to the information provided in Figure 2. It is recommended that the tool be inspected upon arrival and at regularly scheduled intervals thereafter to ensure that it has not become damaged.

The dimensions shown include the maximum tolerance.

Additional tools may be purchased from:

AMP Incorporated
P.O. Box 3608
Harrisburg, PA 17105-3608

or a wholly-owned subsidiary of AMP Incorporated.

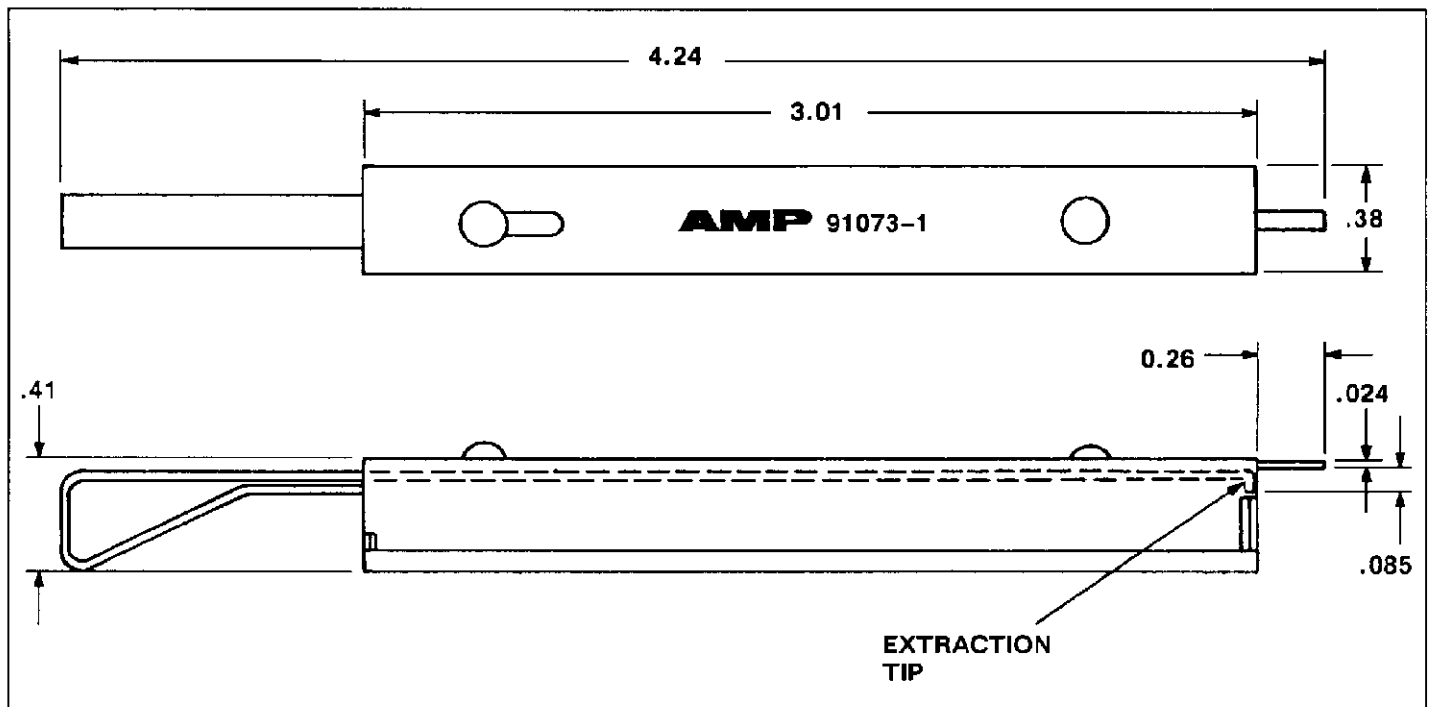


Fig. 2