



Chipsmall Limited consists of a professional team with an average of over 10 year of expertise in the distribution of electronic components. Based in Hongkong, we have already established firm and mutual-benefit business relationships with customers from,Europe,America and south Asia,supplying obsolete and hard-to-find components to meet their specific needs.

With the principle of "Quality Parts,Customers Priority,Honest Operation,and Considerate Service",our business mainly focus on the distribution of electronic components. Line cards we deal with include Microchip,ALPS,ROHM,Xilinx,Pulse,ON,Everlight and Freescale. Main products comprise IC,Modules,Potentiometer,IC Socket,Relay,Connector.Our parts cover such applications as commercial,industrial, and automotives areas.

We are looking forward to setting up business relationship with you and hope to provide you with the best service and solution. Let us make a better world for our industry!



Contact us

Tel: +86-755-8981 8866 Fax: +86-755-8427 6832

Email & Skype: info@chipsmall.com Web: www.chipsmall.com

Address: A1208, Overseas Decoration Building, #122 Zhenhua RD., Futian, Shenzhen, China



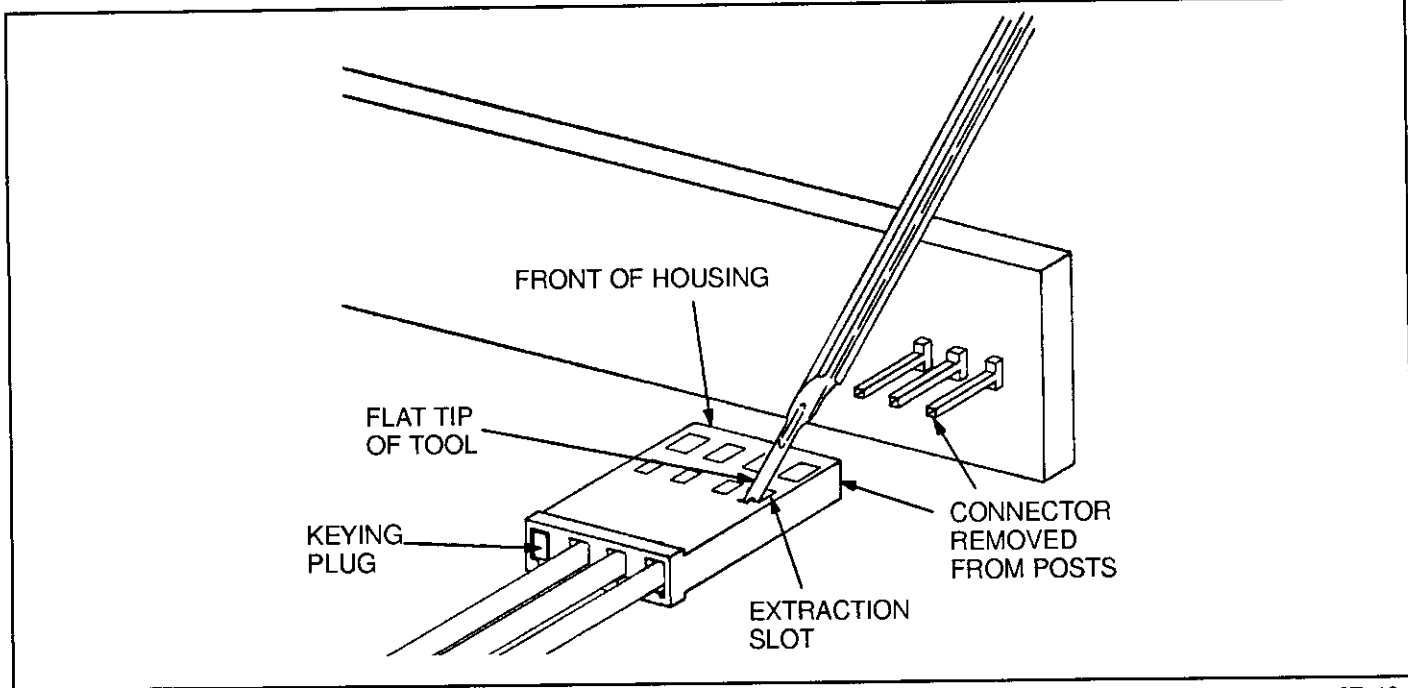


Fig. 1

3T-19

1. INTRODUCTION

AMP Extraction Tool 91084-1 is designed to remove AMPMODU* Locking Clip contacts and keying plugs from AMPMODU Locking Clip connectors that mate with 0.64mm [.025 in.] square posts, and also for extracting individual contacts directly from 0.64mm [.025 in.] square printed circuit (pc) board posts. Read these instructions carefully before using the tool and extracting any contacts.

NOTE

Dimensions on this sheet are metric [with U.S. customary equivalents in brackets].

2. DESCRIPTION

The tool features a flat tip (with hooks) at one end, and a pointed tip (U-shaped) at the other. The flat tip is used to extract contacts and keying plugs from single row connectors and contacts from pc board posts. The pointed tip is used for extracting contacts and keying plugs from double row connectors.

3. EXTRACTING CONTACTS AND/OR KEYING PLUGS FROM CONNECTORS.**CAUTION**

Connector must be removed from pc board posts before using extraction tool.

A. Single Row Connectors (see Figure 1)

1. With the tool held at a slight angle to the connector, align the flat tip with the extraction slot in the housing.
2. Insert the tip into the slot and push down and back simultaneously on the contact or keying plug locking lance. The contact or keying plug will back out of the housing partially.
3. Remove the tool and proceed with following applicable procedure:
 - a. For a contact, grip the wire and gently pull the contact straight out of the back of the housing.
 - b. For a keying plug, insert a .736mm [.029] -diameter (max) pin, or similar device, into the front of the housing and push the keying plug out through the back of the housing.

B. Double Row Connectors (see Figure 2)

1. Align the pointed end of the tool with the extraction slot -- located on either side of the connector housing.

2. Insert the pointed tip through the housing until it bottoms. All contact and/or keying plug lances are now released.

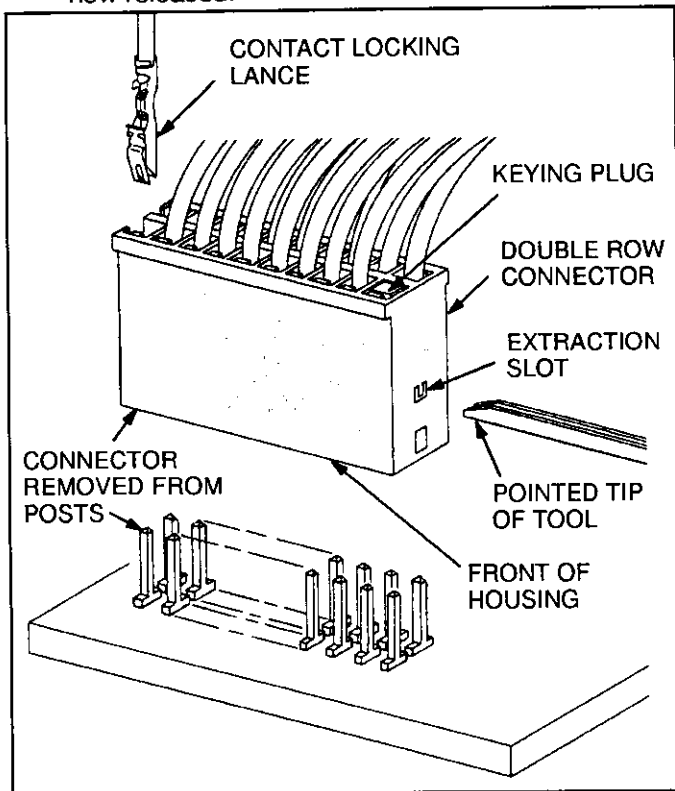


Fig. 2

3T-20

3. Proceed with the following applicable procedure:

- a. For contacts, grip the wire of the contact to be removed and gently pull the contact out of the back of the housing.
- b. For a keying plug, insert a .736mm [.029] -diameter (max) pin, or similar device, into the front of the housing and push the keying plug out through the back of the housing.

4. Remove the tool and proceed with the following applicable procedure:

- a. For contacts, push in on the remaining contact wires and then gently pull back on each wire to ensure that the contacts are locked in the housing.
- b. For keying plugs, push in on the back of the remaining plugs, and then push back lightly on

each plug from the front of the housing the ensure that the plugs are locked in the housing.

4. EXTRACTING CONTACTS FROM POSTS (see Figure 3)

1. Orient flat tip of tool parallel with contact to be removed.
2. Position the hooks under the contact spring.
3. Holding the wire against the tool with the thumb, pull straight up on the tool and wire.

CAUTION

The tool must be kept parallel with the contact being removed; otherwise damage to the tool, contact, and/or post may result.

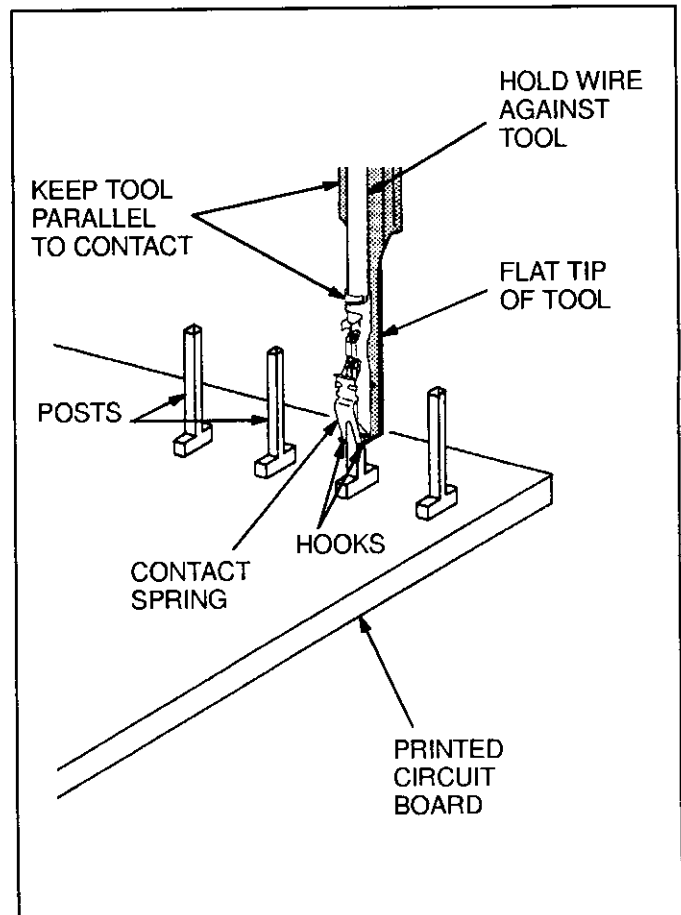


Fig. 3

3T-21

5. TOOL INSPECTION AND CARE

AMP Extraction Tool 91084-1 must conform to the dimensions provided in Figure 4 to ensure its quality and reliability. The tool should be inspected upon arrival and at regularly scheduled intervals thereafter to ensure that it has not become damaged or worn.

Additional tools may be purchased from:

CUSTOMER SERVICE (38-35)
 AMP INCORPORATED
 P.O. BOX 3608
 HARRISBURG, PA 17105-3608

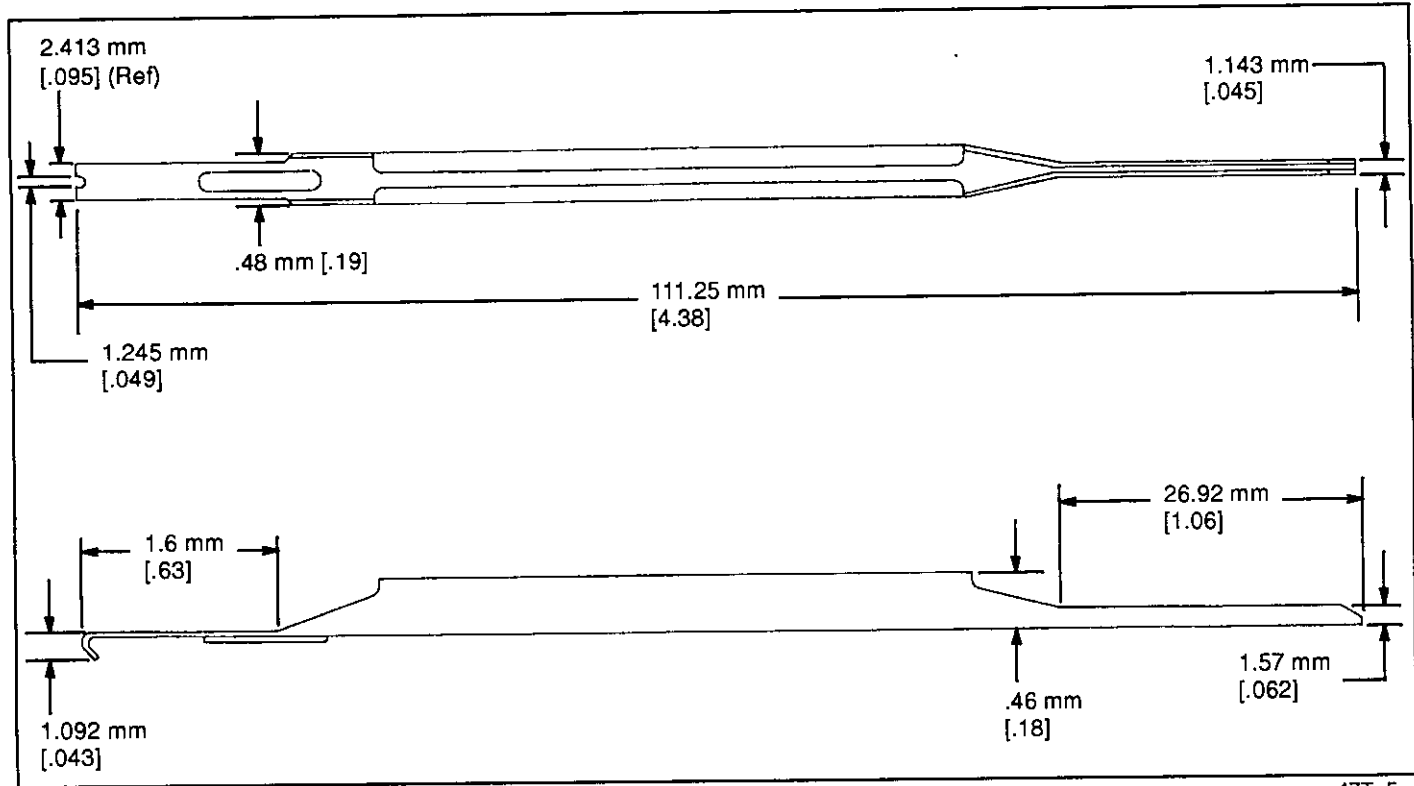


Fig. 4

47T-5