



Chipsmall Limited consists of a professional team with an average of over 10 year of expertise in the distribution of electronic components. Based in Hongkong, we have already established firm and mutual-benefit business relationships with customers from,Europe,America and south Asia,supplying obsolete and hard-to-find components to meet their specific needs.

With the principle of "Quality Parts,Customers Priority,Honest Operation,and Considerate Service",our business mainly focus on the distribution of electronic components. Line cards we deal with include Microchip,ALPS,ROHM,Xilinx,Pulse,ON,Everlight and Freescale. Main products comprise IC,Modules,Potentiometer,IC Socket,Relay,Connector.Our parts cover such applications as commercial,industrial, and automotives areas.

We are looking forward to setting up business relationship with you and hope to provide you with the best service and solution. Let us make a better world for our industry!



Contact us

Tel: +86-755-8981 8866 Fax: +86-755-8427 6832

Email & Skype: info@chipsmall.com Web: www.chipsmall.com

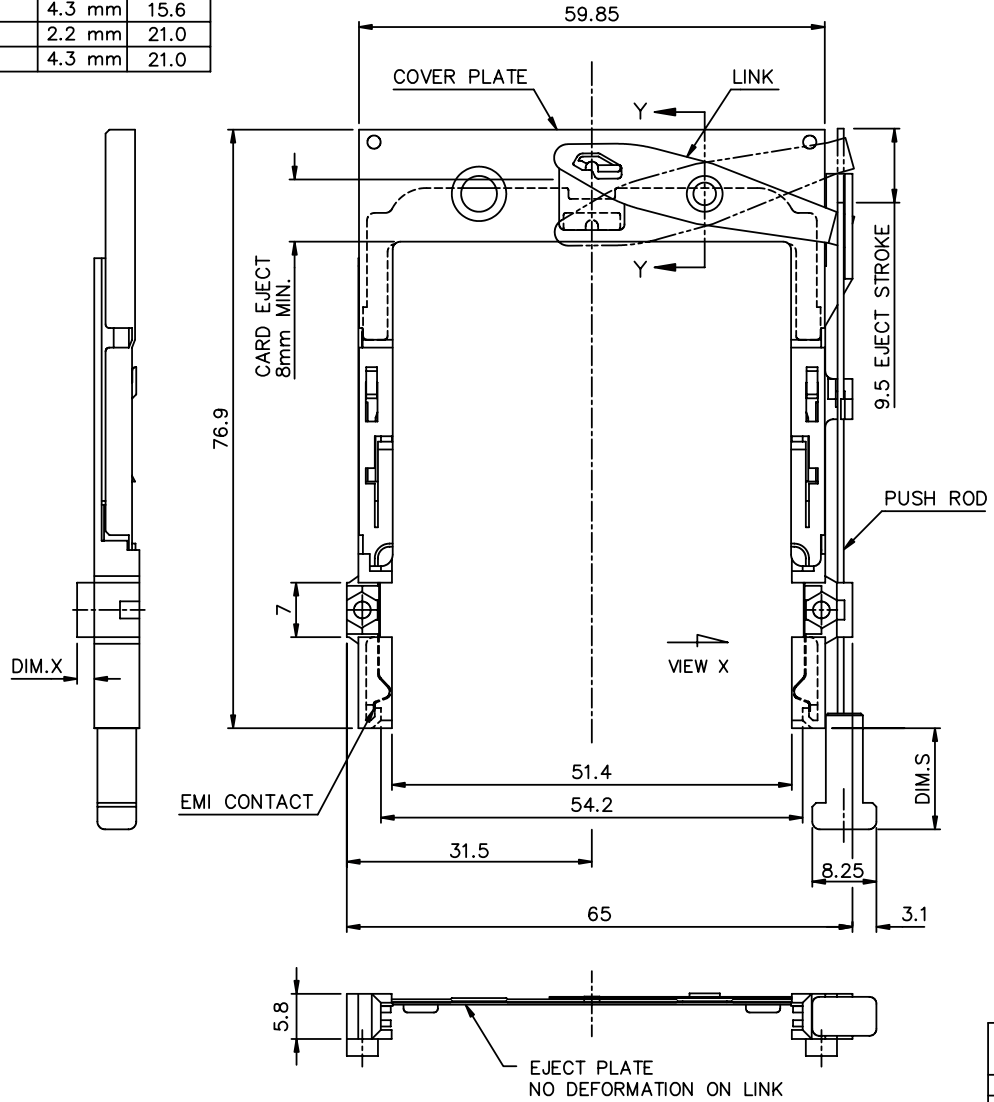
Address: A1208, Overseas Decoration Building, #122 Zhenhua RD., Futian, Shenzhen, China



Tous droits strictement réservés. Reproduction ou communication à des tiers int
 sous quelque forme que ce soit, sans autorisation écrite du propriétaire.
 Property of c BERG ELECTRONICS.
 Droits de reproduction BERG ELECTRONICS by

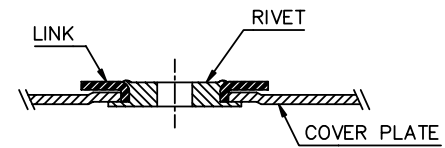
All rights strictly reserved. Reproduction or issue to third parties in any for
 without written authority from the proprietor.
 Property of c BERG ELECTRONICS.
 Copyright BERG ELECTRONICS by

PRODUCT NUMBER	DIM. X	DIM. S
91113-02CA	2.2 mm	13.0
91113-04CA	4.3 mm	13.0
91113-02DA	2.2 mm	15.6
91113-04DA	4.3 mm	15.6
91113-02FA	2.2 mm	21.0
91113-04FA	4.3 mm	21.0



PRESS FIT EMI CLIP INTO GUIDE SLOTS.

VIEW X



SEC. Y-Y

NOTE:

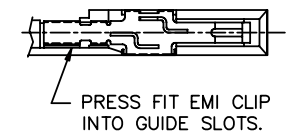
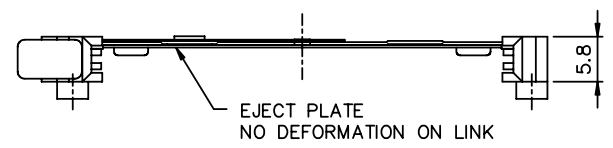
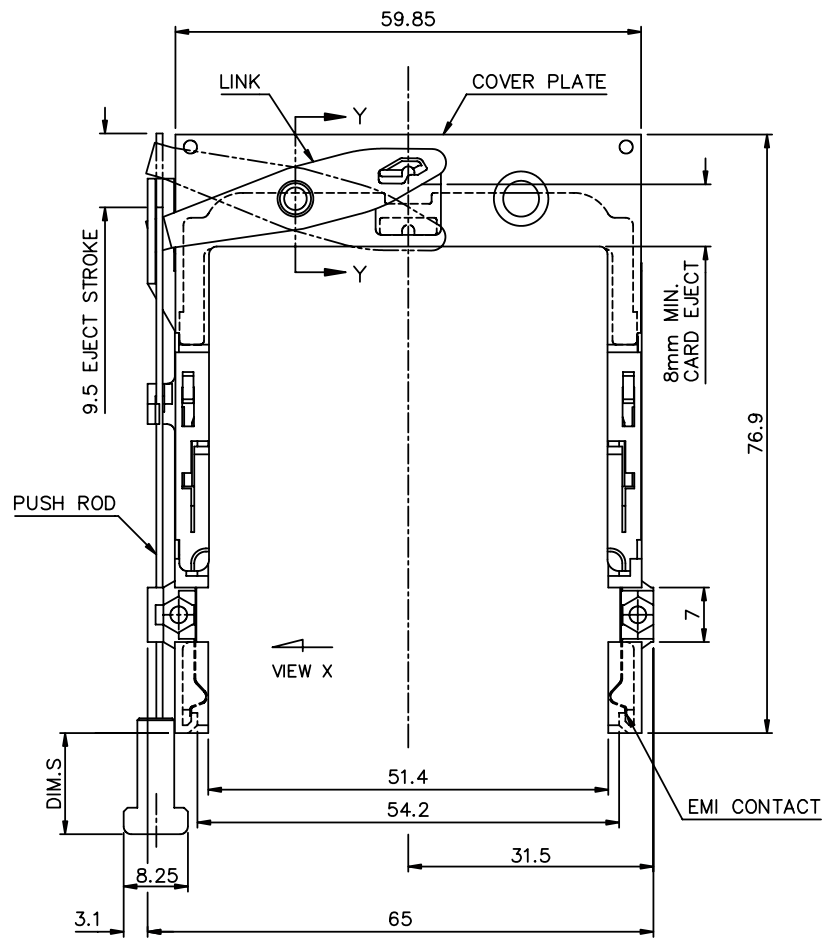
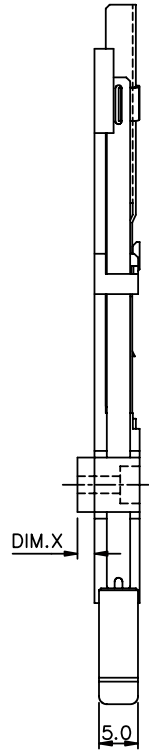
- EJECT PLATE TO MOVE ALONG INSIDE WALL OF COVER PLATE SMOOTHLY AFTER ASSEMBLING WITH HEADER.
- MATERIAL :
 PLASTIC GUIDES : POLYPHTHARAMIDE UL94V-0 BLACK
 COVER PLATE : STAINLESS STEEL
 EMI CONTACT : PHOSPHOR BRONZE
- FINISH :
 EMI CONTACT CONTACT AREA 0.5 mm Au.
 UNDERPLATING 1.0 mm Ni.

mat'l code		tolerance unless otherwise specified		CUSTOMER COPY	 www.fclconnect.com
rev.	ecn no.	dr	date	linear	
A	T50094	W L	04/06/95	projection	
B	T20234	W L	07/25/02	angles	± 2°
C	N06-0034	M Z	02/13/06	dr WENDY CHEN	02/13/95
				enrg JOSEPH HSIA	02/13/95
				chr JOSEPH HSIA	02/13/95
				appd D K WANG	02/13/95
sheet revision		C	C	unit	mm/inch
index sheet		1	2	scale	1.5:1
				product family	PCMCIA
				code	
				size	A3
				dwg no.	91113
				sheet	1 of 2

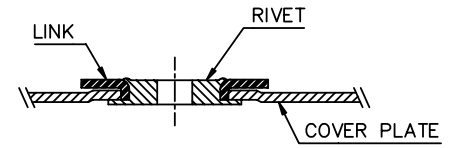
Tous droits strictement réservés. Reproduction ou communication à des tiers int sans autorisation écrite du propriétaire.
 Property of © BERG ELECTRONICS.
 Copyright BERG ELECTRONICS by

All rights strictly reserved. Reproduction or issue to third parties in any form without written authority from the proprietor.
 Property of © BERG ELECTRONICS.
 Copyright BERG ELECTRONICS by

PRODUCT NUMBER	DIM. X	DIM. S
91113-12CA	2.2 mm	13.0
91113-12CALF	2.2 mm	13.0
91113-14CA	4.3 mm	13.0
91113-12DA	2.2 mm	15.6
91113-14DA	4.3 mm	15.6
91113-12FA	2.2 mm	21.0
91113-14FA	4.3 mm	21.0



VIEW X



SEC.Y-Y

NOTE:

- EJECT PLATE TO MOVE ALONG INSIDE WALL OF COVER PLATE SMOOTHLY AFTER ASSEMBLING WITH HEADER.
- MATERIAL :
 PLASTIC GUIDES : POLYPHTHARAMIDE UL94V-0 BLACK
 COVER PLATE : STAINLESS STEEL
 EMI CONTACT : PHOSPHOR BRONZE
- FINISH :
 EMI CONTACT
 CONTACT AREA 0.5 mm Au.
 UNDERPLATING 1.0 mm Ni.

mat'l code		tolerance unless otherwise specified		CUSTOMER COPY		 www.fclconnect.com	
rev.	ecn no.	dr	date	linear	±0.30	projection	title
C				angles	± 2°		NARROW BODY FRONT EJECT TYPE 1/2/3 MECHANISM ASS'Y
		dr	WENDY CHEN 02/13/95	unit	mm/inch	product family	PCMCIA
		enfr	JOSEPH HSIA 02/13/95	size	dwg no.	91113	code
		chr	JOSEPH HSIA 02/13/95	scale	1.5:1		sheet
		appd	D K WANG 02/13/95				2 of
sheet	revision						
index	sheet						