



Chipsmall Limited consists of a professional team with an average of over 10 year of expertise in the distribution of electronic components. Based in Hongkong, we have already established firm and mutual-benefit business relationships with customers from,Europe,America and south Asia,supplying obsolete and hard-to-find components to meet their specific needs.

With the principle of "Quality Parts,Customers Priority,Honest Operation,and Considerate Service",our business mainly focus on the distribution of electronic components. Line cards we deal with include Microchip,ALPS,ROHM,Xilinx,Pulse,ON,Everlight and Freescale. Main products comprise IC,Modules,Potentiometer,IC Socket,Relay,Connector.Our parts cover such applications as commercial,industrial, and automotives areas.

We are looking forward to setting up business relationship with you and hope to provide you with the best service and solution. Let us make a better world for our industry!



Contact us

Tel: +86-755-8981 8866 Fax: +86-755-8427 6832

Email & Skype: info@chipsmall.com Web: www.chipsmall.com

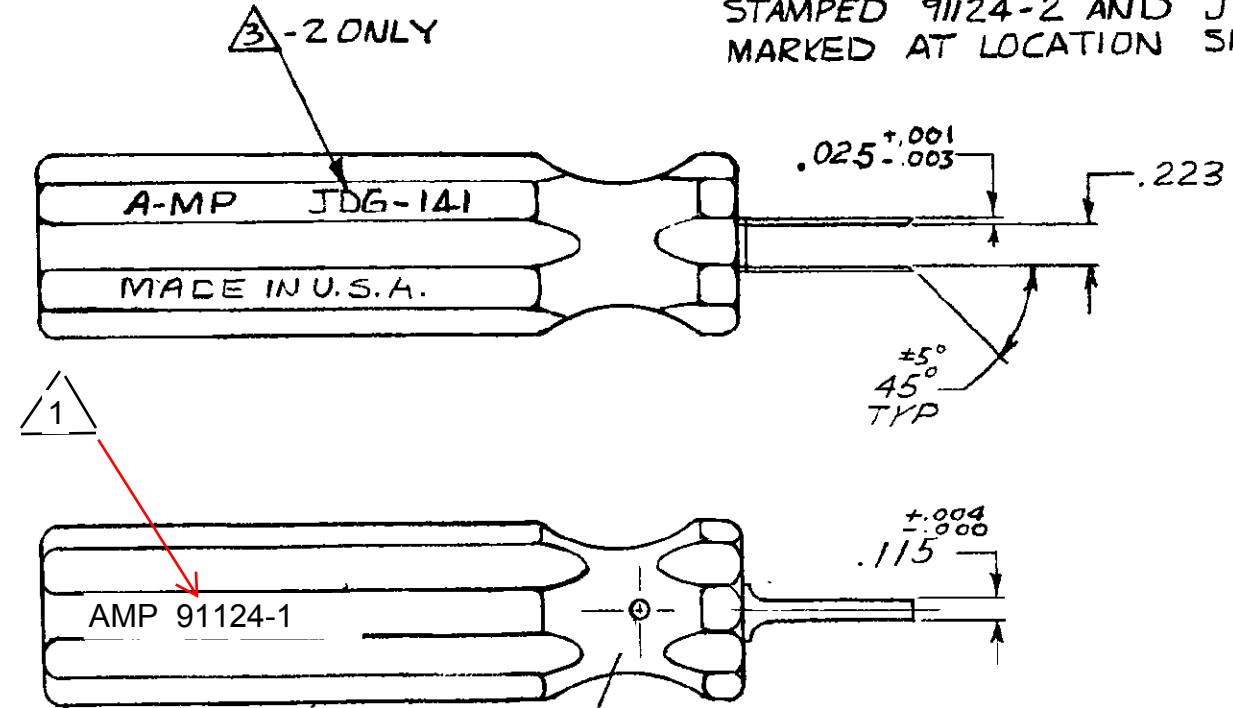
Address: A1208, Overseas Decoration Building, #122 Zhenhua RD., Futian, Shenzhen, China



x

THIS INFORMATION IS CONFIDENTIAL AND IS DISCLOSED TO YOU ON CONDITION THAT NO FURTHER DISCLOSURE IS MADE BY YOU TO OTHER THAN AMP PERSONNEL WITHOUT WRITTEN AUTHORIZATION FROM AMP INCORPORATED, HARRISBURG, PA.

- ② -1 STAMPED AMP 91124-1, MADE IN U.S.A.
- ③ -2 SAME AS -1 EXCEPT:
STAMPED 91124-2 AND JDG-141
MARKED AT LOCATION SHOWN.



				DIMENSIONS IN INCHES		MATERIAL		HEAT TREAT		FINISH	
				TOLERANCES UNLESS OTHERWISE SPECIFIED:		DR		APP		TE Connectivity	
				DECIMALS: .00 ± .02,		CJ Hayduk 12/25		Cali 12/15		Harrisburg Pa	
				.000 ± .005, .0000 ± .0005		CHK		REL			
				ANGLES ± 0° 30'		Cali 12/15		CPI Steel 2/176			
				SURF TEXTURE: #J		NAME					
				REMOVE BURRS, BREAK SHARP EDGES .015R MAX		TOOL-EXTRACTION					
SCALE		SHEET		LOC		NO		REV			
1-1		---		DF		B		A			
		REVISION RECORD		APP		DATE		NO		REV	
								91124		A	

LOC
DF
DIST
B4