



Chipsmall Limited consists of a professional team with an average of over 10 year of expertise in the distribution of electronic components. Based in Hongkong, we have already established firm and mutual-benefit business relationships with customers from,Europe,America and south Asia,supplying obsolete and hard-to-find components to meet their specific needs.

With the principle of “Quality Parts,Customers Priority,Honest Operation,and Considerate Service”,our business mainly focus on the distribution of electronic components. Line cards we deal with include Microchip,ALPS,ROHM,Xilinx,Pulse,ON,Everlight and Freescale. Main products comprise IC,Modules,Potentiometer,IC Socket,Relay,Connector.Our parts cover such applications as commercial,industrial, and automotives areas.

We are looking forward to setting up business relationship with you and hope to provide you with the best service and solution. Let us make a better world for our industry!



Contact us

Tel: +86-755-8981 8866 Fax: +86-755-8427 6832

Email & Skype: info@chipsmall.com Web: www.chipsmall.com

Address: A1208, Overseas Decoration Building, #122 Zhenhua RD., Futian, Shenzhen, China



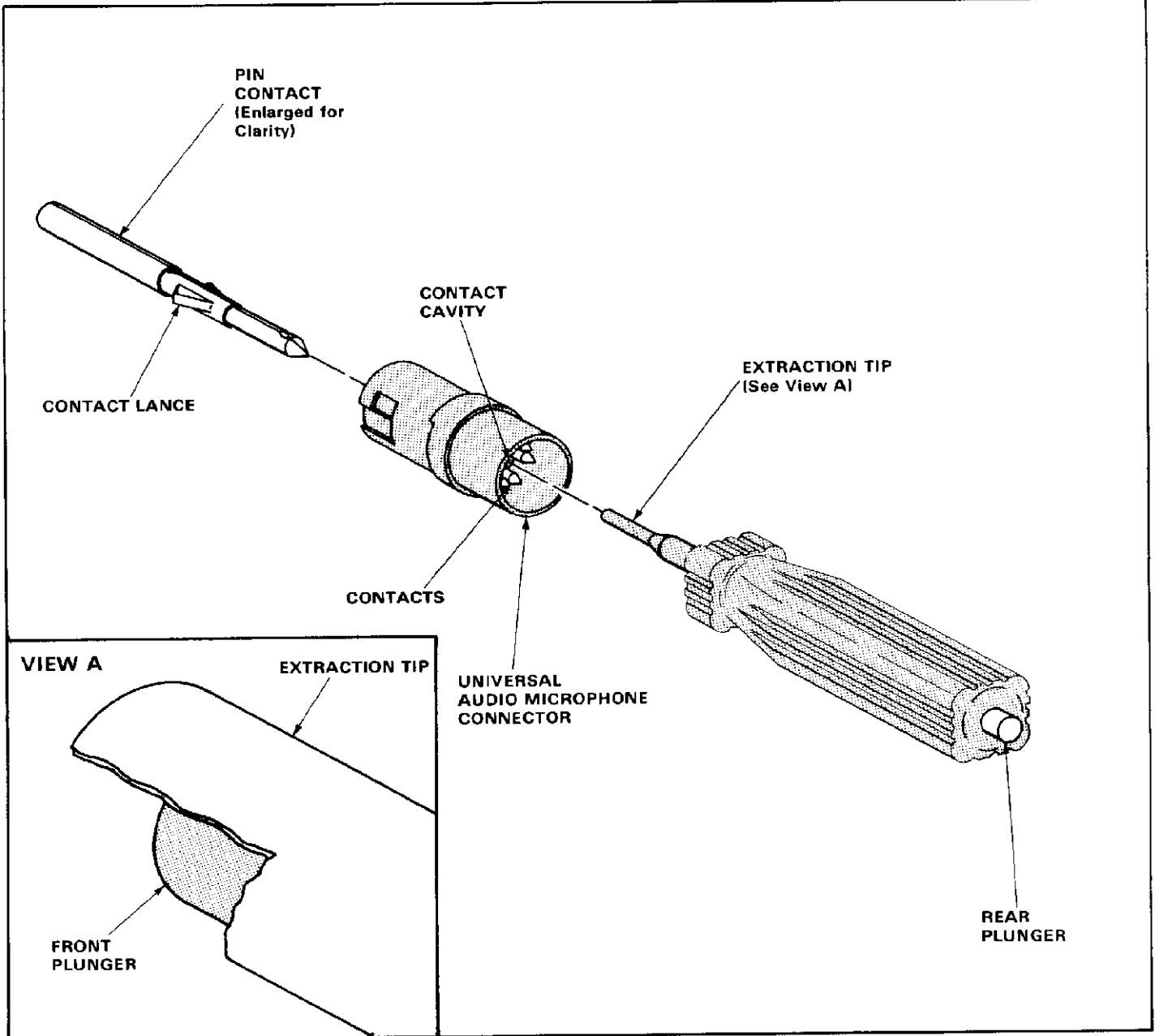


Fig. 1

1. INTRODUCTION

This instruction sheet covers the AMP Extraction Tool 91144-1 which is used for removing pin contacts from AMP Universal Audio Microphone Connectors. See Figure 1.

Carefully read these instructions before using the tool to ensure correct removal of the contacts.

NOTE

All dimensions presented on this instruction sheet are in inches, unless otherwise stated.

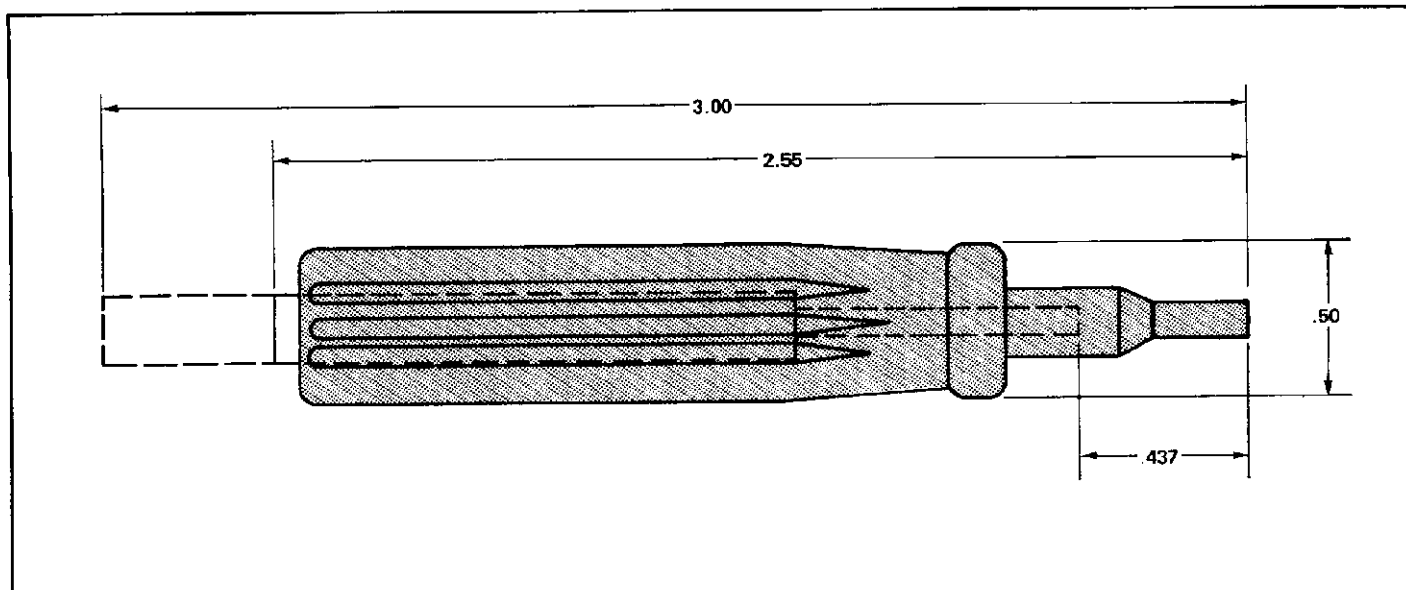
★ TRADEMARK OF AMP INCORPORATED

2. DESCRIPTION

The extraction tool consists of two plungers located at each end which are used to push the contact out of the connector.

The extraction tip, located at the front of the tool, fits over the pin contact. When the tip is bottomed in the contact cavity, the contact lances are forced together, allowing the contact to slide free from the connector after the rear plunger is depressed.

Copyright 1978 by AMP Incorporated, Harrisburg, Pa. All International Rights Reserved. AMP Incorporated products covered by U.S. and Foreign patents and/or patents pending.



EXTRACTION TOOL	PRODUCT DESIGNED FOR	ENGINEERING APPROVAL	DATE
91144-1	UNIVERSAL AUDIO MICROPHONE CONNECTOR	<i>R. L. Kautz</i>	9/14/78

Fig. 2

3. EXTRACTION PROCEDURES (see Figure 1)

1. Grasp the connector firmly with one hand while sliding the extraction tip over the pin contact.
2. Insert the tip until it bottoms in the contact cavity, causing the lances of the contact to close.
3. While holding the extraction tool with the other hand, depress FULLY the rear plunger, so the contact is pushed out of the connector. Be sure to maintain constant pressure on the tool handle when pressing the rear plunger.

4. TOOL CERTIFICATION

The tool listed in this instruction sheet should be certified with the information provided in Figure 2. We recommend that you inspect the tool immediately upon arrival in your factory, and at regularly scheduled intervals, to ensure that the tool has not been damaged during handling.

Additional tools can be purchased from:

AMP Incorporated
 Eisenhower Boulevard
 Harrisburg, Pennsylvania 17105