



Chipsmall Limited consists of a professional team with an average of over 10 year of expertise in the distribution of electronic components. Based in Hongkong, we have already established firm and mutual-benefit business relationships with customers from,Europe,America and south Asia,supplying obsolete and hard-to-find components to meet their specific needs.

With the principle of "Quality Parts,Customers Priority,Honest Operation,and Considerate Service",our business mainly focus on the distribution of electronic components. Line cards we deal with include Microchip,ALPS,ROHM,Xilinx,Pulse,ON,Everlight and Freescale. Main products comprise IC,Modules,Potentiometer,IC Socket,Relay,Connector.Our parts cover such applications as commercial,industrial, and automotives areas.

We are looking forward to setting up business relationship with you and hope to provide you with the best service and solution. Let us make a better world for our industry!



Contact us

Tel: +86-755-8981 8866 Fax: +86-755-8427 6832

Email & Skype: info@chipsmall.com Web: www.chipsmall.com

Address: A1208, Overseas Decoration Building, #122 Zhenhua RD., Futian, Shenzhen, China



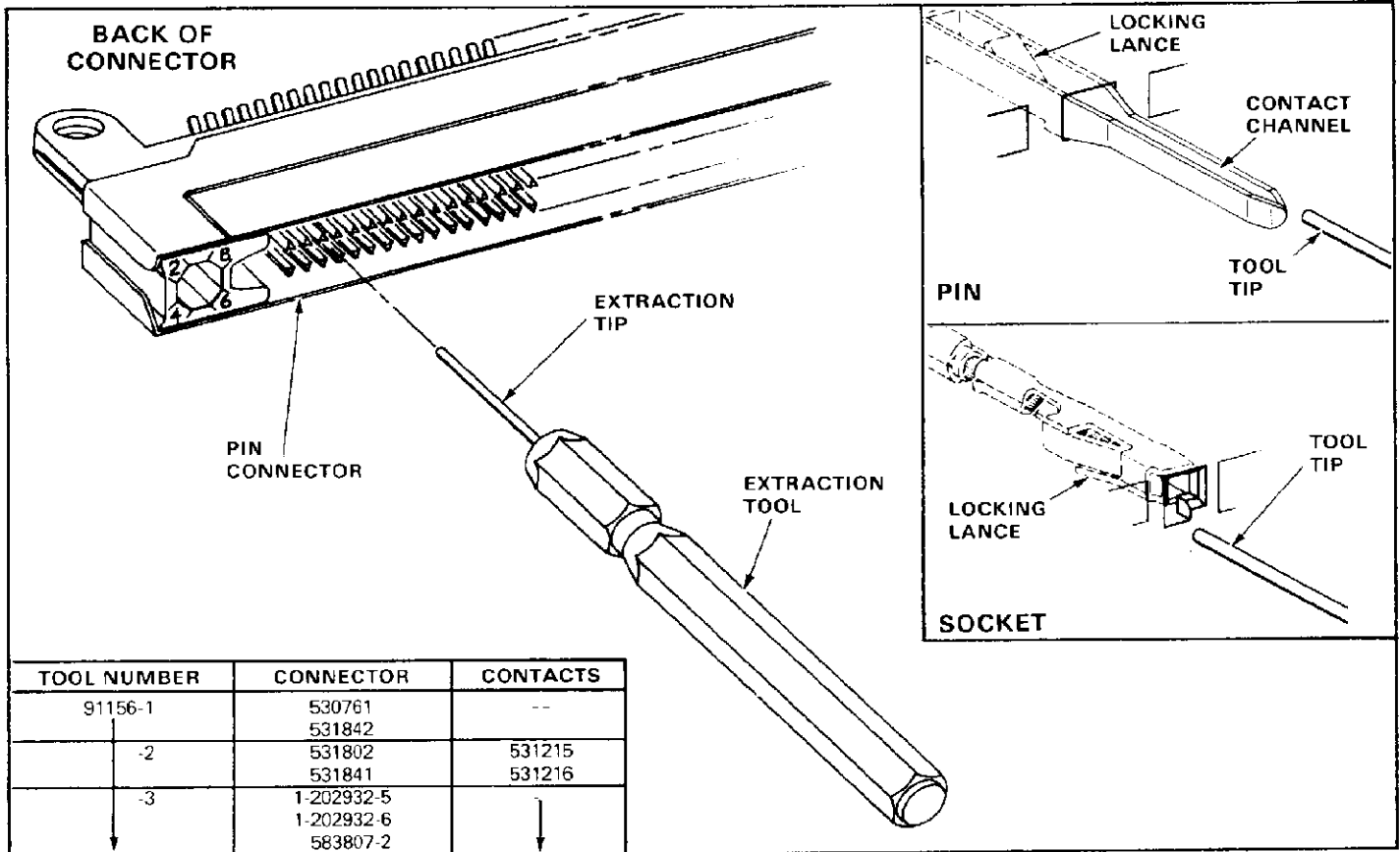


Fig. 1

1. INTRODUCTION

This instruction sheet covers the use of the AMP Extraction Tools 91156-1, -2, and -3, which are used to extract AMP Box Connector contacts from their connectors. See Figure 1. Read these instructions carefully before extracting any contacts.

NOTE All dimensions on this instruction sheet are in inches.

2. DESCRIPTION (Figure 1)

The extraction tool tip is designed to enter the contact cavity in the front of the connector and depress the locking lance of the contact.

The extraction tip, located at the front of the tool, fits inside the contact to release the locking lance. The contact is then pulled from the BACK of connector.

3. EXTRACTION PROCEDURES (Figure 1)

NOTE If the contact is soldered to the printed circuit (pc) board, remove all solder from contact before extraction.

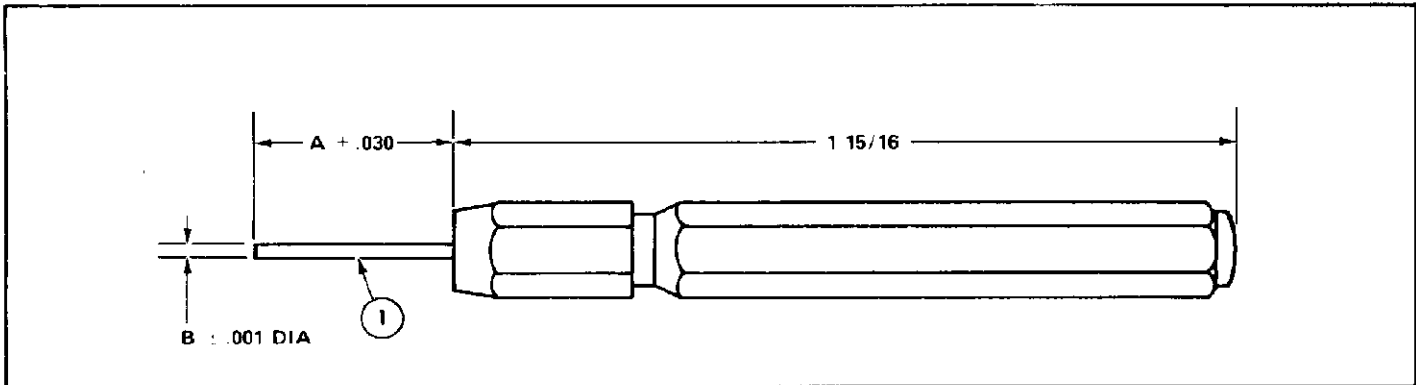
A. Pin Contacts

1. Determine which contact is to be removed. Looking straight into FRONT (mating face) of connector, notice the contact channel.
2. Start the extraction tip inside the contact channel until the tip bottoms and causes the locking lance to close.
3. Maintaining pressure on the locking lance, partially remove contact from contact cavity.
4. Remove extraction tip and pull contact from BACK of connector.

B. Socket Contacts

1. Determine which contact is to be removed. Looking straight into FRONT of connector, notice the locking lance on the side of the contact.
2. Start the extraction tip along the side of contact to release locking lance.
3. Maintaining pressure on the locking lance, partially pull contact from contact cavity.
4. Remove extraction tip and pull contact from BACK of connector.

Copyright 1981 by AMP Incorporated, Harrisburg, Pa. All International Rights Reserved. AMP Incorporated products covered by U.S. and Foreign patents and/or patents pending.



EXTRACTION TOOL	DIMENSIONS		PRODUCT DESIGNED FOR	REPLACEABLE PARTS				DESCRIPTION
	A	B		ITEM	TOOL NUMBER			
91156 1	.500	.015	AMP Box Connector Contacts	1	311694-1	311694-2	311694-1	TIP, Extraction
-2	.500	.022	Engineering Approval				Date	
3	.900	.015	<i>[Signature]</i>				12/9/81	

Fig. 2

4. TOOL CERTIFICATION

The tools listed on this instruction sheet should be certified with the information provided in Figure 2. We recommend that you inspect the tool immediately upon arrival in your factory, and at regularly scheduled intervals, to ensure that the tool has not been damaged.

Additional tools can be purchased from:

AMP Incorporated
 Eisenhower Boulevard
 Harrisburg, PA 17105