



Chipsmall Limited consists of a professional team with an average of over 10 year of expertise in the distribution of electronic components. Based in Hongkong, we have already established firm and mutual-benefit business relationships with customers from,Europe,America and south Asia,supplying obsolete and hard-to-find components to meet their specific needs.

With the principle of “Quality Parts,Customers Priority,Honest Operation,and Considerate Service”,our business mainly focus on the distribution of electronic components. Line cards we deal with include Microchip,ALPS,ROHM,Xilinx,Pulse,ON,Everlight and Freescale. Main products comprise IC,Modules,Potentiometer,IC Socket,Relay,Connector.Our parts cover such applications as commercial,industrial, and automotives areas.

We are looking forward to setting up business relationship with you and hope to provide you with the best service and solution. Let us make a better world for our industry!



## Contact us

Tel: +86-755-8981 8866 Fax: +86-755-8427 6832

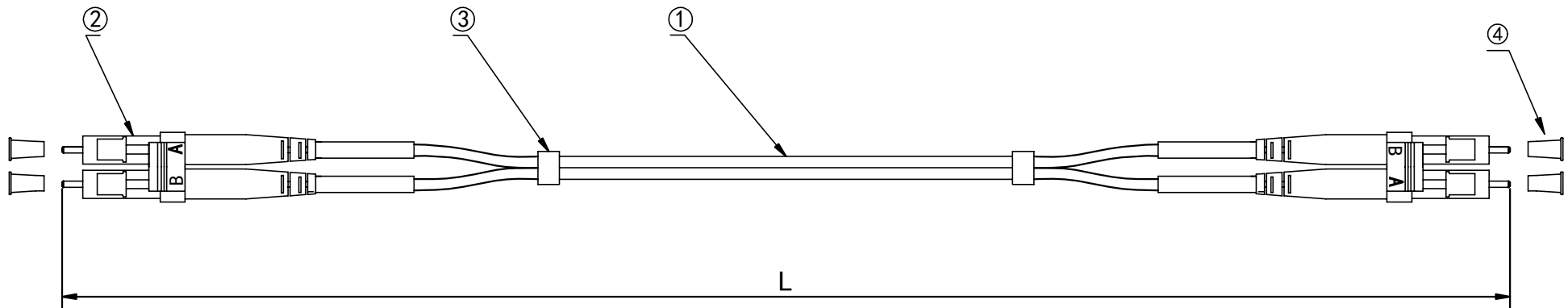
Email & Skype: info@chipsmall.com Web: www.chipsmall.com

Address: A1208, Overseas Decoration Building, #122 Zhenhua RD., Futian, Shenzhen, China



RoHS  
Compliant

VERSION	DESCRIPTION	DATE
1.0	New DRAWING	2018/3/29



PART NO	DRAWING NO	CABLE "L" LENGTH	COLOR
911M-2-1-00100	671-442-A	1000 ± 100	Orange
911M-2-1-00200	671-442-B	2000 ± 100	Orange
911M-2-1-00300	671-442-C	3000 ± 100	Orange
911M-2-1-00500	671-442-D	5000 ± 100	Orange
911M-2-1-00700	671-442-E	7000 ± 100	Orange
911M-2-1-01000	671-442-F	10000 ± 100	Orange
911M-2-1-01500	671-442-G	15000 ± 100	Orange
911M-2-1-02000	671-442-H	20000 ± 100	Orange
911M-2-1-02500	671-442-I	25000 ± 100	Orange

**NOTES:**

Insertion loss < 0.3 dB

<b>CnC Tech, LLC</b> Industrial Cable and Connector Technology					
		TITLE		Patch Cord, LC-LC, MM-62.5/125 OM1, Duplex, PVC, Orange, 2.0mm, xxm	
UNIT		P/N		DRAWN BY	
mm		above			
unless otherwise stated Tolerances mm ±0.3 angular ±2°		Customer P/N		CHECK BY	
XX.XX ±0.2 X.XX ±0.1		911M-2-1-0XXXX			
SIZE A4		SCALE Free		PAGE 1/1 APPROVAL BY	

6	
5	
4	Dust Cover
3	Shrinkage Tube
2	LC MM Duplex Connector (Beige housing White boot)
1	2.0mm, Duplex, MM-62.5/125 OM1, PVC, Optical Fiber Cable (Orange)
No.	Description