



Chipsmall Limited consists of a professional team with an average of over 10 year of expertise in the distribution of electronic components. Based in Hongkong, we have already established firm and mutual-benefit business relationships with customers from,Europe,America and south Asia,supplying obsolete and hard-to-find components to meet their specific needs.

With the principle of “Quality Parts,Customers Priority,Honest Operation,and Considerate Service”,our business mainly focus on the distribution of electronic components. Line cards we deal with include Microchip,ALPS,ROHM,Xilinx,Pulse,ON,Everlight and Freescale. Main products comprise IC,Modules,Potentiometer,IC Socket,Relay,Connector.Our parts cover such applications as commercial,industrial, and automotives areas.

We are looking forward to setting up business relationship with you and hope to provide you with the best service and solution. Let us make a better world for our industry!



Contact us

Tel: +86-755-8981 8866 Fax: +86-755-8427 6832

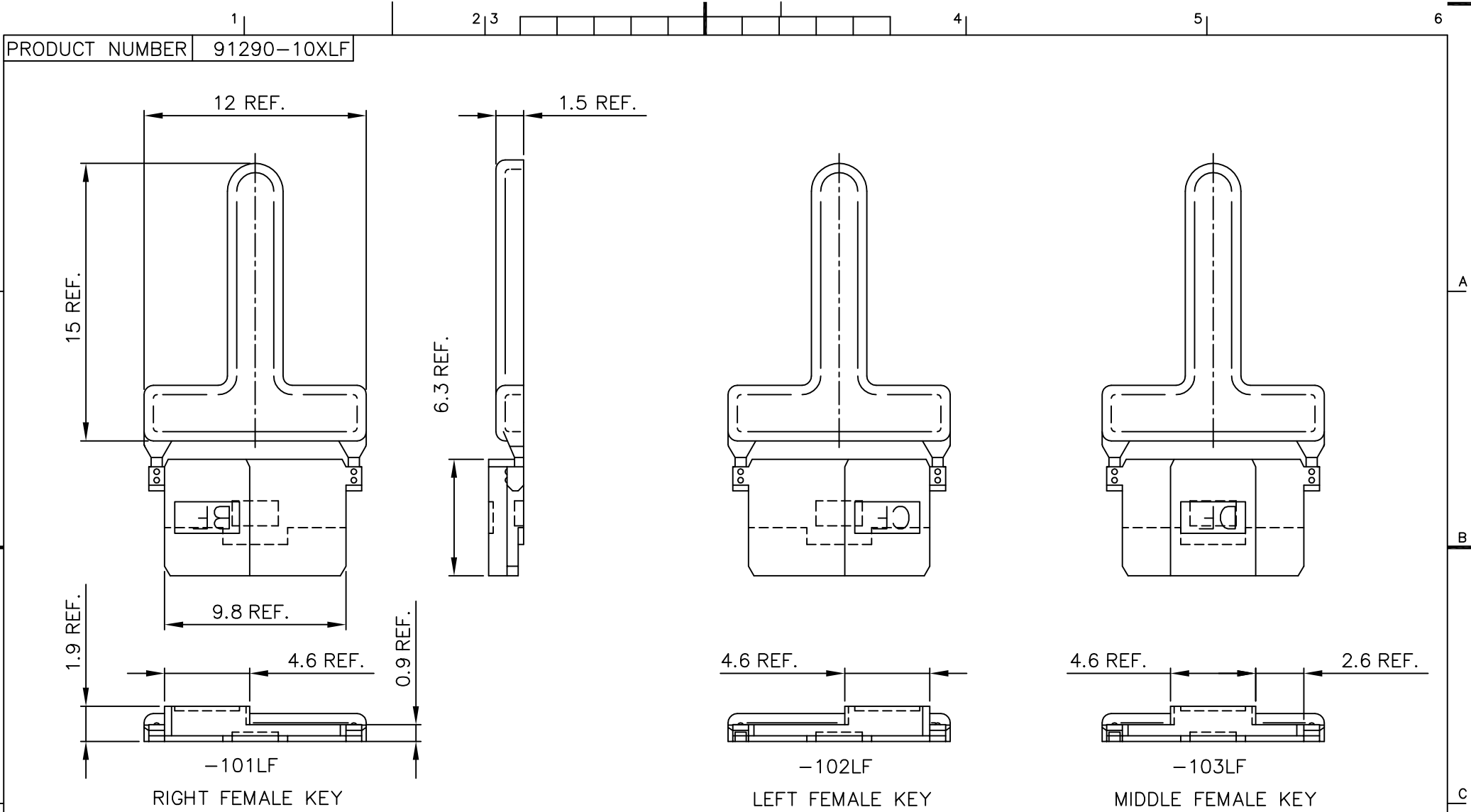
Email & Skype: info@chipsmall.com Web: www.chipsmall.com

Address: A1208, Overseas Decoration Building, #122 Zhenhua RD., Futian, Shenzhen, China



Tous droits strictement réservés. Reproduction ou communication sans autorisation écrite du propriétaire. Propriété de FCI b.v. © FCI b.v.

Reproduction or issue to third parties in any form, without written authority from the proprietor. Property of FCI b.v. © FCI b.v.



NOTES:

- MATERIAL: LIQUID CRYSTAL POLYMER. FLAMERETARDANT ACC. UL 94-VO. 30% GLASS FILLED, COLOR: SEE TABLE.
- THIS PRODUCT WITH "LF" SUFFIX MEETS EUROPEAN UNION DIRECTIVES AND OTHER COUNTRY REGULATIONS AS DESCRIBED IN GS -22-008.
- THE PRODUCT IS NOT INTENDED TO BE EXPOSED TO A MANUFACTURING SOLDER PROCESS.

PRODUCT NUMBER	COLOR
91290-101LF	BLUE
91290-102LF	PINK
91290-103LF	BROWN

mat'l. code SEE NOTE 1		tolerances unless otherwise specified		CUSTOMER COPY	ELECTRONICS www.fciconnect.com
ltr	ecn no dr date			projection	
A	V41309 RDO 940729	linear			title FEMALE HALF KEYS
B	H40388 RV 940810				
C	H40583 DDB 940916	angles		mm 	product family CENTRAL (tm)
D	bg05-0372 CLU 051006	dr D. de Bil 940609			
		engr E. Feijen 940729		5:1	213
		chr G.S. Lee 940609			sheet
		appd G.S. Lee 940609			1 of 1
sheet index	revision sheet	D 1			