



Chipsmall Limited consists of a professional team with an average of over 10 year of expertise in the distribution of electronic components. Based in Hongkong, we have already established firm and mutual-benefit business relationships with customers from,Europe,America and south Asia,supplying obsolete and hard-to-find components to meet their specific needs.

With the principle of "Quality Parts,Customers Priority,Honest Operation,and Considerate Service",our business mainly focus on the distribution of electronic components. Line cards we deal with include Microchip,ALPS,ROHM,Xilinx,Pulse,ON,Everlight and Freescale. Main products comprise IC,Modules,Potentiometer,IC Socket,Relay,Connector.Our parts cover such applications as commercial,industrial, and automotives areas.

We are looking forward to setting up business relationship with you and hope to provide you with the best service and solution. Let us make a better world for our industry!



## Contact us

Tel: +86-755-8981 8866 Fax: +86-755-8427 6832

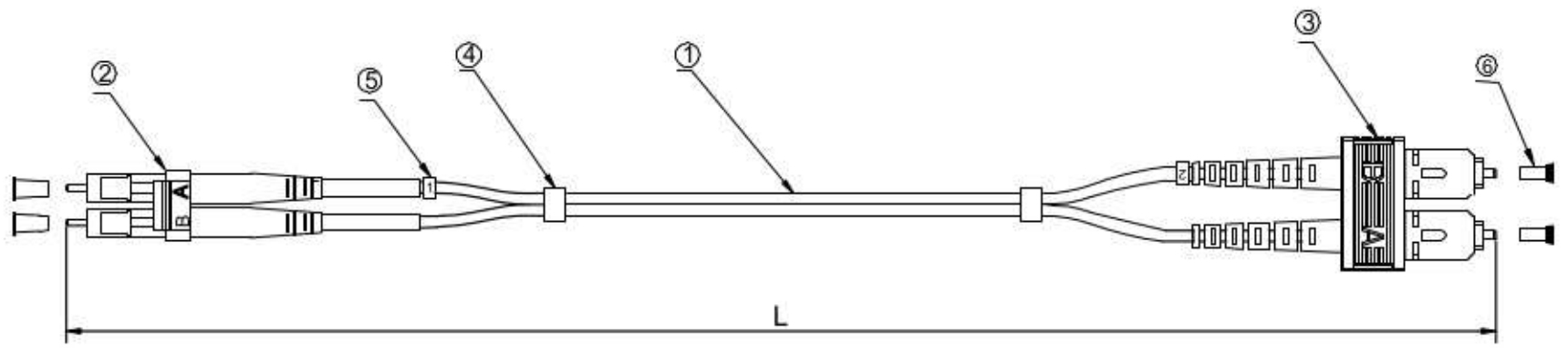
Email & Skype: info@chipsmall.com Web: www.chipsmall.com

Address: A1208, Overseas Decoration Building, #122 Zhenhua RD., Futian, Shenzhen, China



RoHS  
Compliant

VERSION	DESCRIPTION	DATE
1.0	New Release	2018/4/12



PART NO	DRAWING NO	CABLE LENGTH "L"	COLOR
912M-2-3-00100-G	671-450-A	1000±100	aqua
912M-2-3-00200-G	671-450-B	2000±100	aqua
912M-2-3-00300-G	671-450-C	3000±100	aqua
912M-2-3-00500-G	671-450-D	5000±100	aqua
912M-2-3-00700-G	671-450-E	7000±100	aqua
912M-2-3-01000-G	671-450-F	10000±100	aqua
912M-2-3-01500-G	671-450-G	15000±100	aqua
912M-2-3-02000-G	671-450-H	20000±100	aqua
912M-2-3-02500-G	671-450-I	25000±100	aqua

NOTES:  
Insertion loss < 0.3 dB

**CnC Tech, LLC**  
Industrial Cable and Connector Technology

		TITLE		Patch Cord, LC-SC,MM-50/125 OM3, Duplex, PVC, aqua, 2.0mm, xxm	
		UNIT	mm	P/N	DRAWN BY
<small>unless otherwise stated mm Tolerances XXX.XX ±0.3 XX.XX ±0.2 X.XX ±0.1</small>		Customer P/N		912M-2-3-0xxxx-G	CHECK BY
		SIZE	SCALE	PAGE	APPROVAL BY
		A4	Free	1/1	

6	Dust Cover
5	1/2 Code
4	Shrinkage Tube
3	SC MM Duplex Connector (Beige housing Red/black boot)
2	LC MM Duplex Connector (Beige housing White boot)
1	2.0mm,Duplex,MM-50/125 OM3, PVC, Optical Fiber Cable(Aqua)
No.	Description