



Chipsmall Limited consists of a professional team with an average of over 10 year of expertise in the distribution of electronic components. Based in Hongkong, we have already established firm and mutual-benefit business relationships with customers from,Europe,America and south Asia,supplying obsolete and hard-to-find components to meet their specific needs.

With the principle of “Quality Parts,Customers Priority,Honest Operation,and Considerate Service”,our business mainly focus on the distribution of electronic components. Line cards we deal with include Microchip,ALPS,ROHM,Xilinx,Pulse,ON,Everlight and Freescale. Main products comprise IC,Modules,Potentiometer,IC Socket,Relay,Connector.Our parts cover such applications as commercial,industrial, and automotives areas.

We are looking forward to setting up business relationship with you and hope to provide you with the best service and solution. Let us make a better world for our industry!



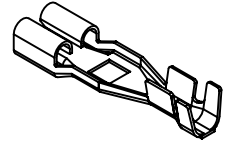
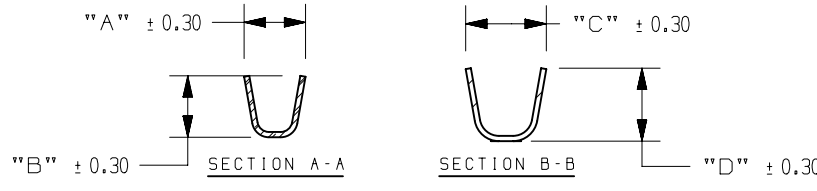
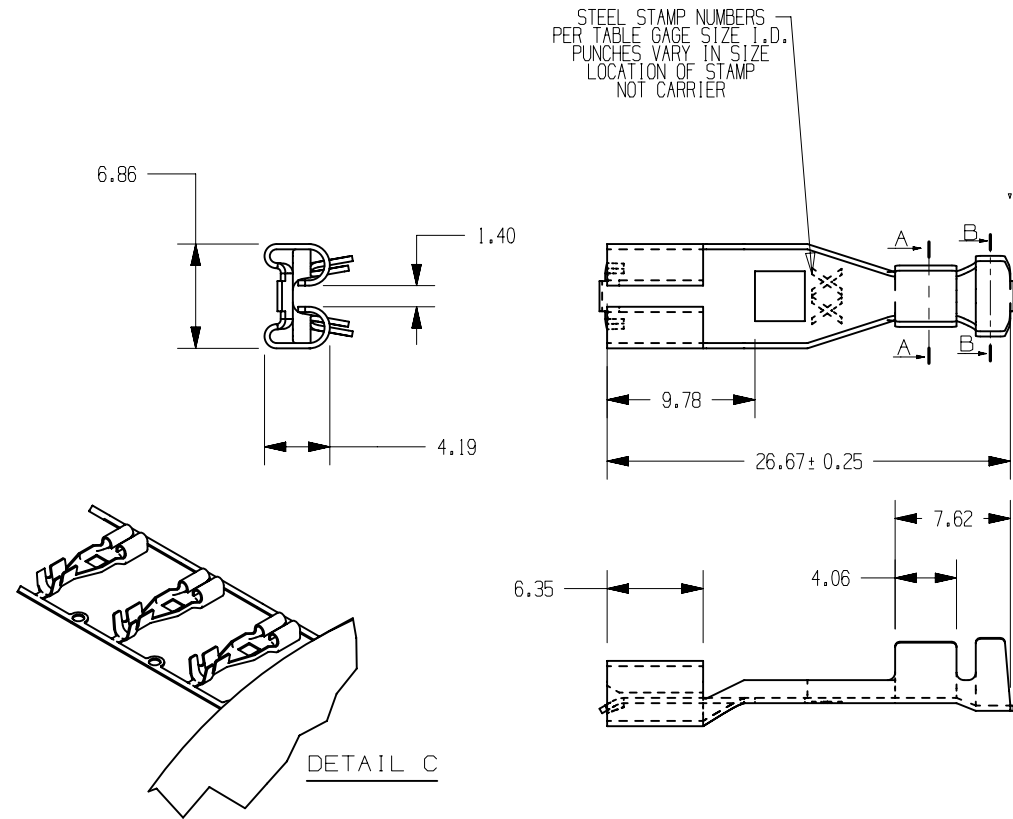
Contact us

Tel: +86-755-8981 8866 Fax: +86-755-8427 6832

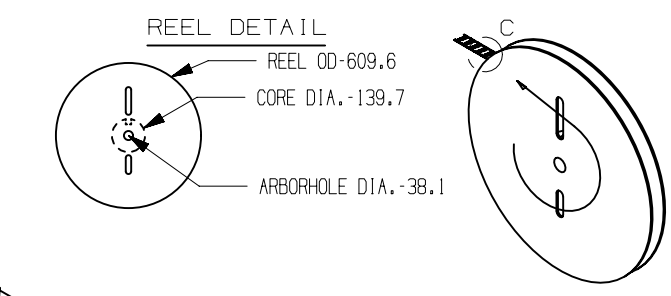
Email & Skype: info@chipsmall.com Web: www.chipsmall.com

Address: A1208, Overseas Decoration Building, #122 Zhenhua RD., Futian, Shenzhen, China





METRIC COMPONENT



NOTE:
 1.MATERIAL: C2300 BRASS T-0.35mm,TIN PLATED
 2.EVERY REEL QUANTITY: 2000± 10PCS (ROLL BAND)

UNLESS OTHERWISE SPECIFIED DIMENSIONS ARE IN MILLIMETERS.
 TOLERANCE
 DECIMALS ANGULAR
 X±0.25 ±1°
 XX±0.13
 DO NOT SCALE DRAWING

LITTELFUSE PART NO.	REELED	REVERSE REEL	WIRE GAGE	INTERLEAF	GRIP TYPE			
					A	B	C	D
913-007	YES	NO	10	YES	5.08	5.08	7.11	6.10
913-007-R	YES	YES	10	YES	5.08	5.08	7.11	6.10
913-007-001	NO	NO	10	NO	5.08	5.08	7.11	6.10
913-008	YES	NO	14	YES	4.06	4.06	5.33	4.83
913-008-R	YES	YES	14	YES	4.06	4.06	5.33	4.83
913-008-001	NO	NO	14	NO	4.06	4.06	5.33	4.83

NO	COMPONENT NO	DESCRIPTION	QTY/M	U/M
BILL OF MATERIAL				
UNLESS OTHERWISE SPECIFIED, DIMENSIONS ARE IN MILLIMETERS. DIMENSIONS IN BRACKETS [] ARE INCHES				
UNLESS OTHERWISE SPECIFIED, DIMENSIONS DO NOT INCLUDE PLATING.				
⊙	DENOTES CRITICAL CHARACTERISTICS.			
CPK	DENOTES CPK DIMENSIONS, -MINIMUM CPK VALUE			
ST	DENOTES A CHARACTERISTIC THAT PROVIDES AN INDICATION OF PROCESS PERFORMANCE. PROCEDURE FOR MEASUREMENT AND TRACKING TO BE DEFINED IN LITTELFUSE INSPECTION INSTRUCTIONS			
CP	DENOTES CP DIMENSIONS, -MINIMUM CP VALUE MUST BE WITHIN THE DIMENSIONAL LIMITATIONS SHOWN ON DRAWING AND INITIALLY LOCATED TO ALLOW FOR MAXIMUM TOOL LIFE			

COPIES TO		MATL SPEC	SEE NOTE
1	9		
2	10		
3	12		
4	13		
5	14		
6	15		
7	16		
8	17		
18	18		
19	19		
20	20		
21	21		
22	22		
23	23		
24	24		
25	25		
26	26		
27	27		
28	28		
29	29		
30	30		
31	31		
32	32		
33	33		
34	34		
35	35		
36	36		
37	37		
38	38		
39	39		
40	40		
41	41		
42	42		
43	43		
44	44		
45	45		
46	46		
47	47		
48	48		
49	49		
50	50		
TOLERANCES UNLESS OTHERWISE SPECIFIED (REF. ISO 2768-FH)			
DIMENSION	UP TO 0.5	OVER 0.5 - 3	OVER 3 - 6
TOLERANCE	±0.10	±0.15	±0.20
3RD ANGLE PROJECTION			
TITLE			
CRIMP TERMINAL WITH INSULATION GRIP			
REVISION DRWG. NO.			
OL-913-007			
OUTLINE			
Littelfuse DES PLAINES, ILLINOIS 60016			

LTR	DATE	REVISION	CHK	APD
A	12/12/11	503915ERA-NEW RELEASED EJIN		
B	08/17/12	505864ECA-SEE ECO FYUE		
C	10/26/12	506401ERA-RELEASE 913-007-001 AND 913-008-001 FYUE		
D	01/22/14	509992ERA-RELEASE 913-007-R AND 913-008-R FYUE		