



Chipsmall Limited consists of a professional team with an average of over 10 year of expertise in the distribution of electronic components. Based in Hongkong, we have already established firm and mutual-benefit business relationships with customers from,Europe,America and south Asia,supplying obsolete and hard-to-find components to meet their specific needs.

With the principle of “Quality Parts,Customers Priority,Honest Operation,and Considerate Service”,our business mainly focus on the distribution of electronic components. Line cards we deal with include Microchip,ALPS,ROHM,Xilinx,Pulse,ON,Everlight and Freescale. Main products comprise IC,Modules,Potentiometer,IC Socket,Relay,Connector.Our parts cover such applications as commercial,industrial, and automotives areas.

We are looking forward to setting up business relationship with you and hope to provide you with the best service and solution. Let us make a better world for our industry!



Contact us

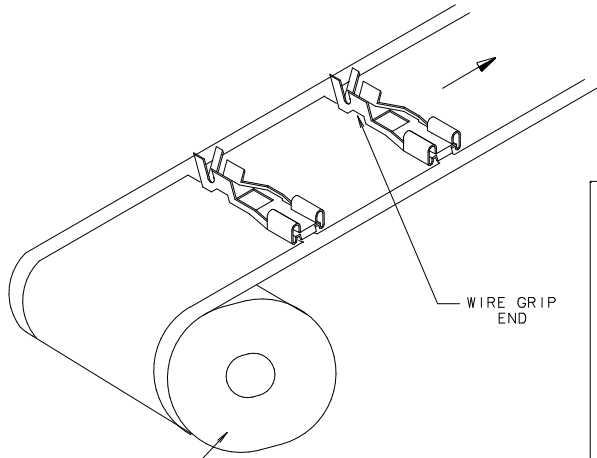
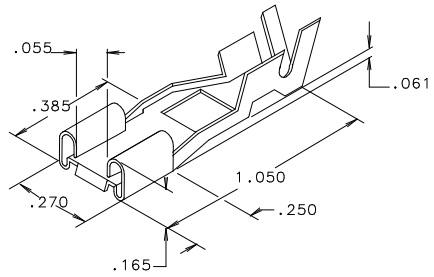
Tel: +86-755-8981 8866 Fax: +86-755-8427 6832

Email & Skype: info@chipsmall.com Web: www.chipsmall.com

Address: A1208, Overseas Decoration Building, #122 Zhenhua RD., Futian, Shenzhen, China



LITTELFUSE PART #	REELED	WIRE GAGE
913-042	YES	10
913-042-001	NO	10
913-043	YES	14
913-043-001	NO	14
913-044	YES	18



REELED TERMINALS ARE TO UNWIND FROM REEL WITH TERMINALS POSITIONED AS SHOWN

REEL IS APPROX. 19" IN DIA.
(NOT DRAWN TO SCALE)

NO	COMPONENT NO	DESCRIPTION	QTY/M	U/M
BILL OF MATERIAL				
CDPLIES TO	MAT SPEC	PRE HOT TIN	FINISH	
1	9 18	DIPPED BRASS	CDA 230	---
2	10 19	DATE	1/13/98	SCALE
3	12 20	CHK		SUPER DRW
4	13 21	APPD		RAW STK WT
5	14 23			
6	15 33			
7	16 43	TOLERANCE UNLESS OTHERWISE SPECIFIED		
8	17 53	TWO PLACE DEC ±.01		
		THREE PLACE DEC ±.005		
		ANGULAR ±1°		
TITLE				
CRIMP TERMINAL (SALES OUTLINE)				

LTR	REVISION	CHK	APD
C	39059C- REVISE & REDRAWN ON NEW FORMAT 3/31/98 JMB		
D	81212D- ADDED PT #913-044 3/9/01 JMB		

UNLESS OTHERWISE SPECIFIED, DIMENSIONS DO NOT INCLUDE PLATING.

CPK DENOTES CPK DIMENSIONS - MINIMUM CPK VALUE

CPK DENOTES A CHARACTERISTIC THAT PROVIDES AN INDICATION OF THE PROCESSING TO BE USED FOR MEASUREMENT

CPK DENOTES CP DIMENSIONS - MINIMUM CP VALUE

CPK DENOTES CP DIMENSIONS - MINIMUM CP VALUE

CPK DENOTES CP DIMENSIONS - MINIMUM CP VALUE

CPK DENOTES CP DIMENSIONS - MINIMUM CP VALUE

CPK DENOTES CP DIMENSIONS - MINIMUM CP VALUE

CPK DENOTES CP DIMENSIONS - MINIMUM CP VALUE

CPK DENOTES CP DIMENSIONS - MINIMUM CP VALUE

CPK DENOTES CP DIMENSIONS - MINIMUM CP VALUE

CPK DENOTES CP DIMENSIONS - MINIMUM CP VALUE


CPK DENOTES CP DIMENSIONS - MINIMUM CP VALUE

CPK DENOTES CP DIMENSIONS - MINIMUM CP VALUE

CPK DENOTES CP DIMENSIONS - MINIMUM CP VALUE

CPK DENOTES CP DIMENSIONS - MINIMUM CP VALUE

UNCONTROLLED DOCUMENT



 DES PLAINES, ILLINOIS 60016
 REVISION D
 DRWS. NO. 913-042,-913-044