



Chipsmall Limited consists of a professional team with an average of over 10 year of expertise in the distribution of electronic components. Based in Hongkong, we have already established firm and mutual-benefit business relationships with customers from,Europe,America and south Asia,supplying obsolete and hard-to-find components to meet their specific needs.

With the principle of “Quality Parts,Customers Priority,Honest Operation,and Considerate Service”,our business mainly focus on the distribution of electronic components. Line cards we deal with include Microchip,ALPS,ROHM,Xilinx,Pulse,ON,Everlight and Freescale. Main products comprise IC,Modules,Potentiometer,IC Socket,Relay,Connector.Our parts cover such applications as commercial,industrial, and automotives areas.

We are looking forward to setting up business relationship with you and hope to provide you with the best service and solution. Let us make a better world for our industry!



## Contact us

Tel: +86-755-8981 8866 Fax: +86-755-8427 6832

Email & Skype: info@chipsmall.com Web: www.chipsmall.com

Address: A1208, Overseas Decoration Building, #122 Zhenhua RD., Futian, Shenzhen, China



## 913 SERIES LED SWITCH

MOMENTARY ACTION 0.1 AMP AT 125 VAC OR 30 VDC

PART NO.	COLOR	CONTACT CIRCUIT	FIG
913-1551-1631-525	RED	N.O.	1
913-1553-1631-525	RED	TWO CIRCUIT	1
913-1601-1632-525	GREEN	N.O.	1
913-1603-1632-525	GREEN	TWO CIRCUIT	1
913-1604-1633-525	YELLOW	N.O.	1
913-1606-1633-525	YELLOW	TWO CIRCUIT	1

Material & Finish: Base, Black Anodized Aluminum. Cap, High Impact Plastic

Dimensions in mm [inches]

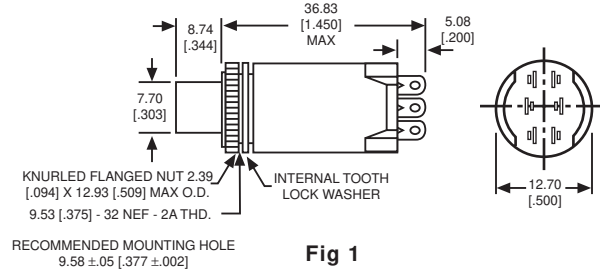


Fig 1

## 911 SERIES INDICATOR

PART NO.	CAP	FIG
911-1112-525	2	

## 911 SERIES CAPS

CYLINDRICAL LENS WITH FRESNEL RINGS\*

CAP PART NO.	COLOR	FIG
911-1631	RED	3
911-1632	GREEN	3
911-1633	YELLOW	3
911-1634	BLUE	3
911-1635	WHITE	3

\* Not recommended for use with legends

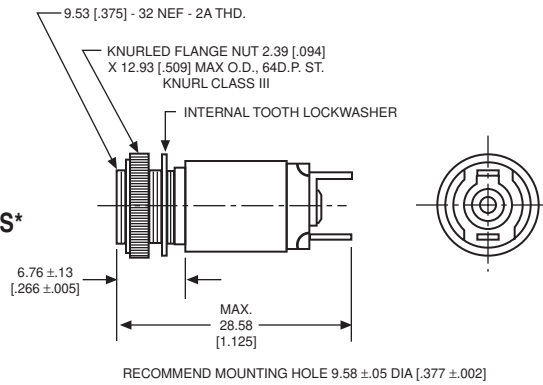


Fig. 2

Uses:  
T-1 3/4 MIDGET  
FLANGE BASE  
INCANDESCENT  
LAMP OR BASED  
LED LAMP

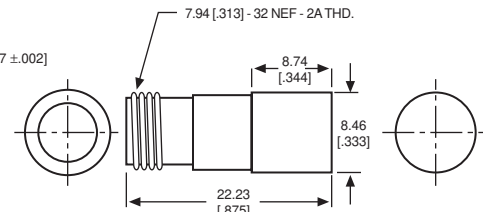


Fig. 3

## 922 SERIES MOMENTARY SWITCH

PART NO.	SWITCH FORMS	FIG
922-1524-525	Normally Open	4
922-1526-525	Two Circuit	4

## 908 SERIES CAPS

CYLINDRICAL LENS WITH FRESNEL RINGS\*

CAP PART NO.	COLOR	FIG
908-1631	RED	5
908-1632	GREEN	5
908-1633	YELLOW	5
908-1634	BLUE	5
908-1635	WHITE	5

\* Not recommended for use with legends

Neon and incandescent lamp information on Pages 35 and 36.

Based LED lamp information on Pages 37 through 40.

Dimensions in mm [inches]

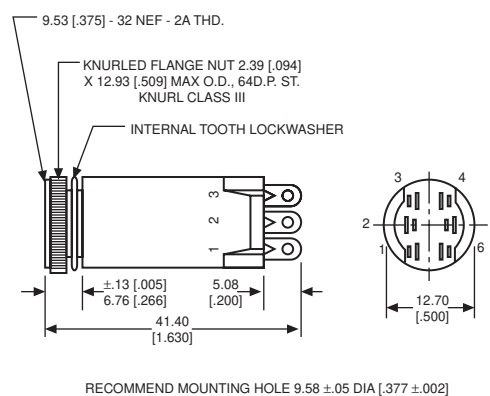


Fig. 4

Uses:  
T-1 3/4 MIDGET  
FLANGE BASE  
INCANDESCENT  
LAMP OR BASED  
LED LAMP

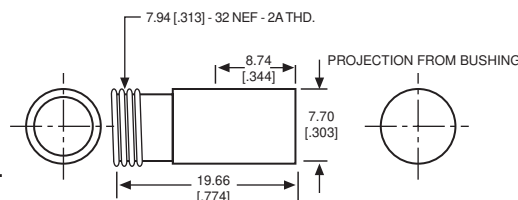


Fig. 5