



Chipsmall Limited consists of a professional team with an average of over 10 year of expertise in the distribution of electronic components. Based in Hongkong, we have already established firm and mutual-benefit business relationships with customers from,Europe,America and south Asia,supplying obsolete and hard-to-find components to meet their specific needs.

With the principle of "Quality Parts,Customers Priority,Honest Operation,and Considerate Service",our business mainly focus on the distribution of electronic components. Line cards we deal with include Microchip,ALPS,ROHM,Xilinx,Pulse,ON,Everlight and Freescale. Main products comprise IC,Modules,Potentiometer,IC Socket,Relay,Connector.Our parts cover such applications as commercial,industrial, and automotives areas.

We are looking forward to setting up business relationship with you and hope to provide you with the best service and solution. Let us make a better world for our industry!



Contact us

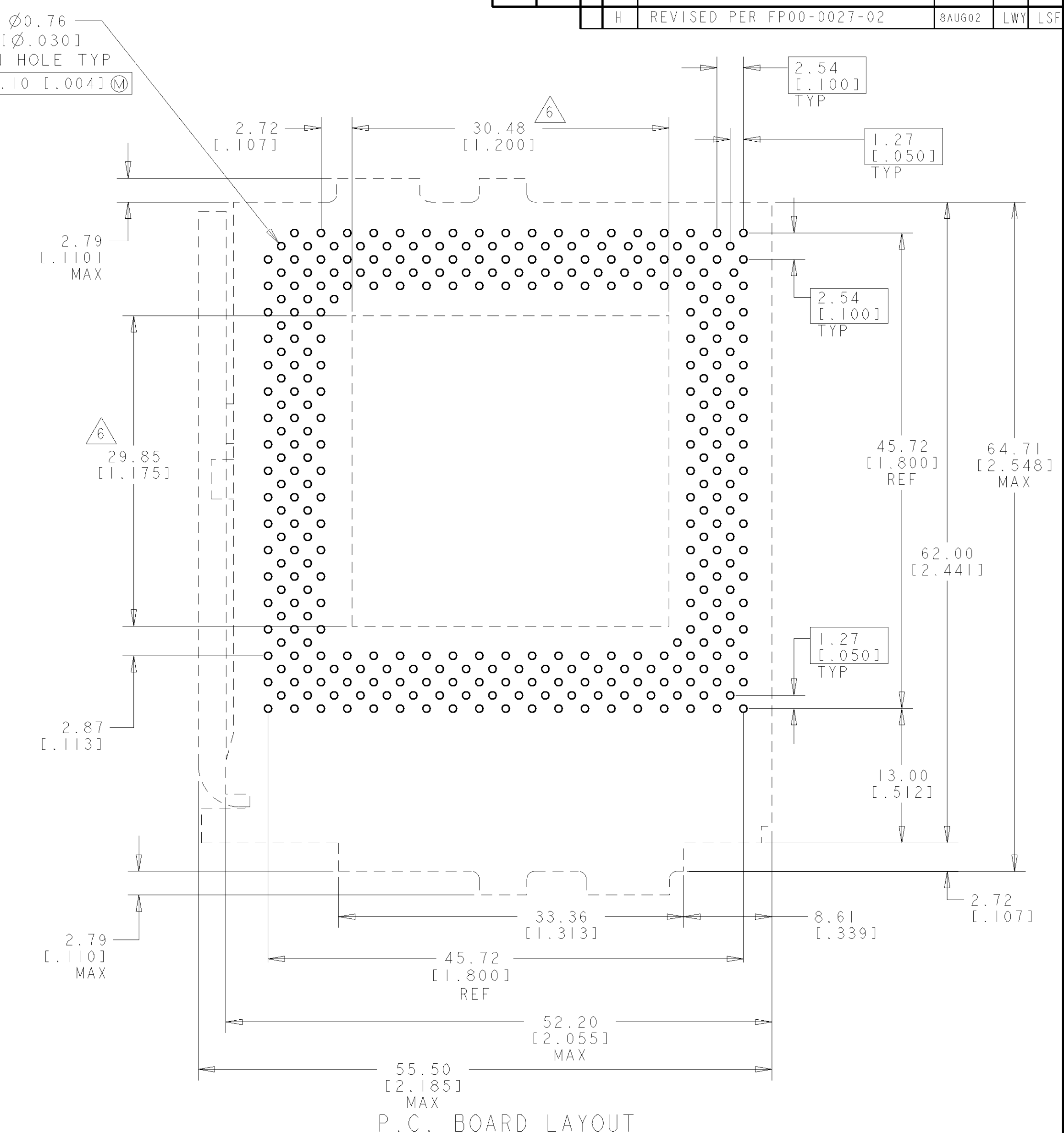
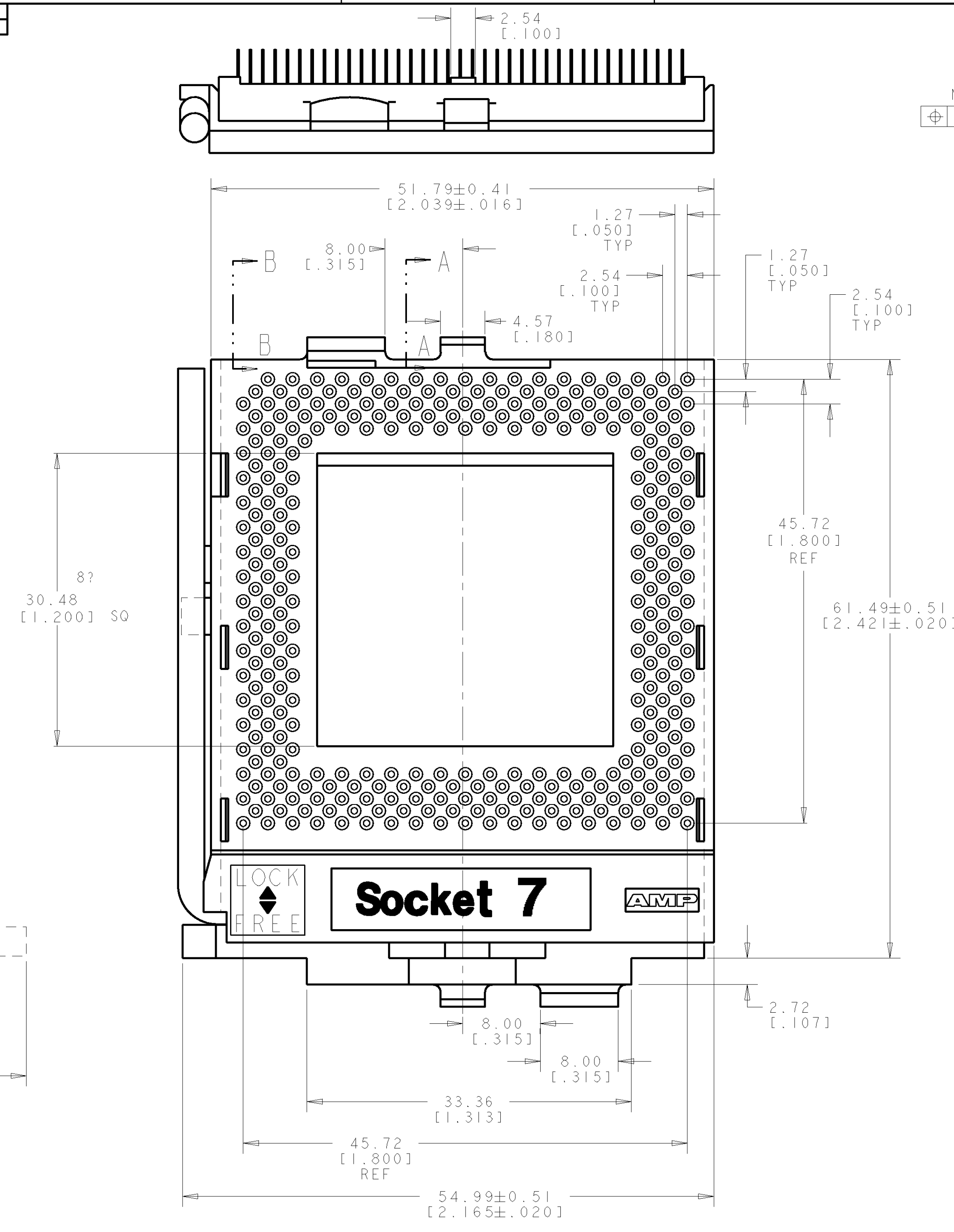
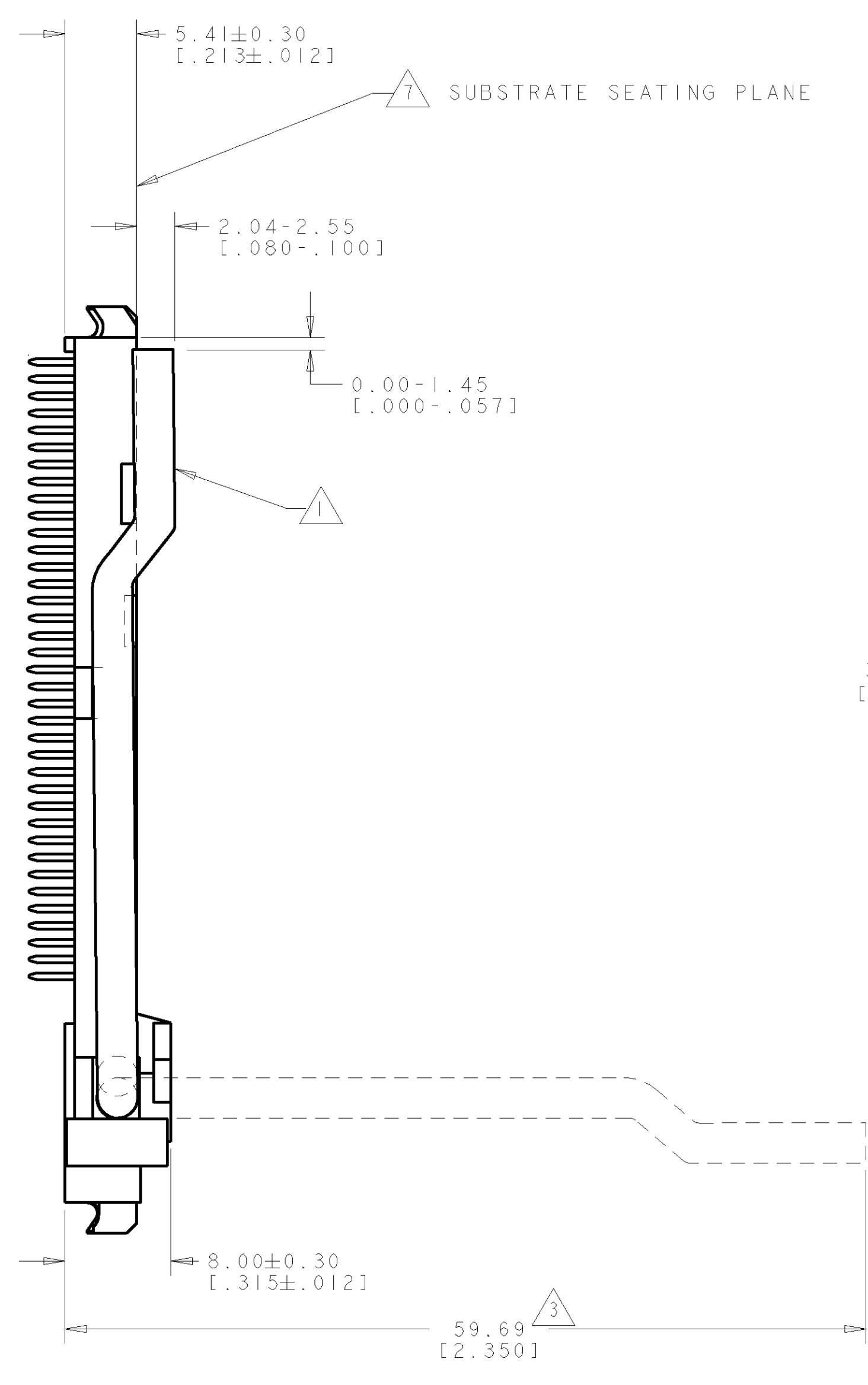
Tel: +86-755-8981 8866 Fax: +86-755-8427 6832

Email & Skype: info@chipsmall.com Web: www.chipsmall.com

Address: A1208, Overseas Decoration Building, #122 Zhenhua RD., Futian, Shenzhen, China

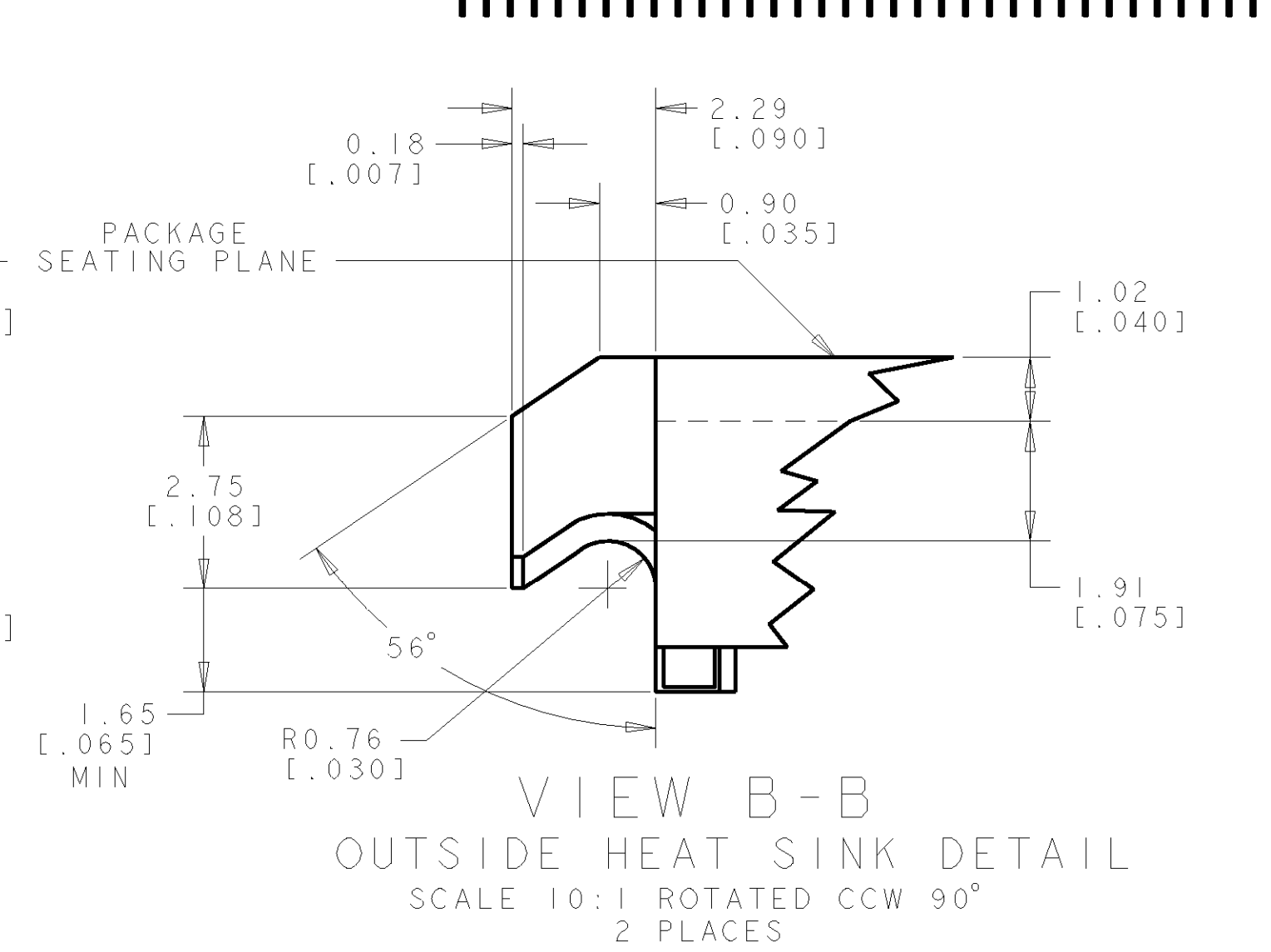
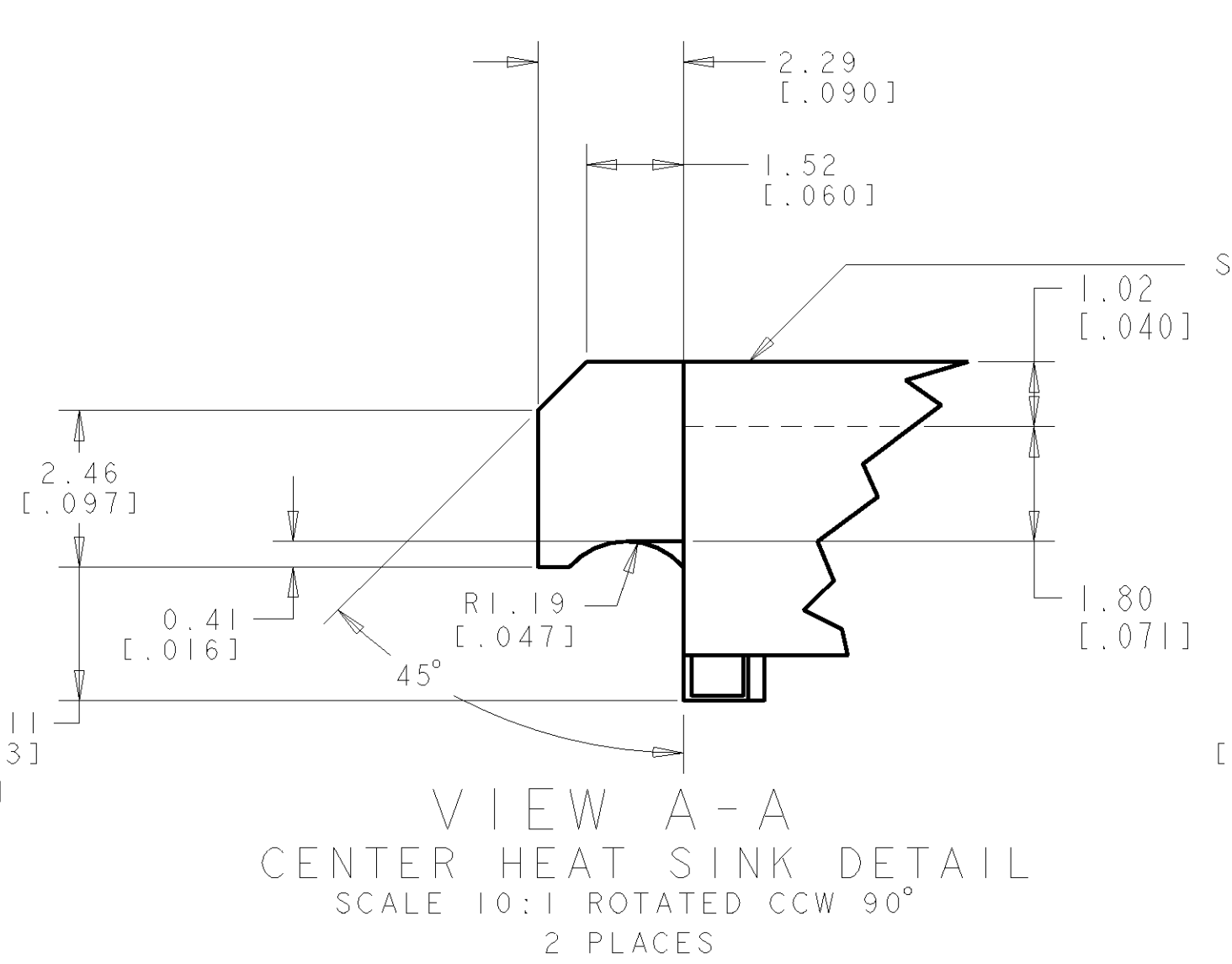


LOC	DIST	REV	DESCRIPTION	DATE	BY	APPD
H			REVISED PER FP00-0027-02	8AUG02	LWY	LSF



P.C. BOARD LAYOUT

- 1 HANDLE IS SHOWN IN THE 'ON' POSITION
- 2 SOCKET WILL ACCEPT ANY P.G.A. PACKAGE WITH A PIN Ø0.46±.05 [Ø.018±.002] AND A LENGTH OF 2.54-3.30 [.100-.130] LOCATED ON TRUE POSITION OF 0.20 [.008] M
- 3 MAX DIMENSION INCLUDING HANDLE
- 4 MATERIAL; HOUSING AND COVER ARE THERMOPLASTIC. COLOR-NATURAL. CONTACTS ARE COPPER ALLOY. ACTUATOR IS STAINLESS STEEL.
- 5 FINISH; CONTACT AREA- GOLD THICKNESS PER TABLE OVER 0.00127 [.000050] MIN. THICK NICKEL PLATE. SOLDER TAIL- 0.00381 [.000150] MIN. THICK TIN-LEAD OVER 0.00127 [.000050] MIN. THICK NICKEL PLATE. CONTACT AREA SHALL BE FREE OF LUBRICANT.
- 6 DIMENSIONS INDICATE MIN. OPEN CENTER THROUGH SOCKET.
- 7 SEATING PLANE OF PGA PACKAGE IN SOCKET IS ON CERAMIC SURFACE OF PACKAGE.
- 8 DIMENSION INDICATES MIN. HOLE IN COVER OF SOCKET.



90	FLASH	2.36 [.093]	321	916715-4
90	0.00038 [.000015]	2.79 [.110]	321	916715-3
90	0.00038 [.000015]	2.36 [.093]	321	916715-2
90	0.00038 [.000015]	2.03 [.080]	321	916715-1
TRAY PACKAGED NUMBER OF SOCKETS PER SHIPPING BOX		MIN. GOLD THICKNESS 5?	DIM A	POSITION
				PART NUMBER

DIMENSIONS: mm (INCHES)		TOLERANCES UNLESS OTHERWISE SPECIFIED:		AMP 12-1-95	
Ø	±	PLC	±	AMP MANUFACTURING (SINGAPORE) PTE. LTD.	
PLC	±	PLC	±	DRAWING NO	
PLC	±	PLC	±	NAME SOCKET ASSY, SINGLE LEVER ZIF, PGA, 19 X 19 GRID, LOW PROFILE, RIGHT HAND	
PLC	±	PLC	±	SIZE	
PLC	±	PLC	±	CAGE CODE	
PLC	±	PLC	±	DRAWING NO	
PLC	±	PLC	±	SCALE 3:1	
PLC	±	PLC	±	SHEET	
PLC	±	PLC	±	REV	
PLC	±	PLC	±	H	