



Chipsmall Limited consists of a professional team with an average of over 10 year of expertise in the distribution of electronic components. Based in Hongkong, we have already established firm and mutual-benefit business relationships with customers from,Europe,America and south Asia,supplying obsolete and hard-to-find components to meet their specific needs.

With the principle of “Quality Parts,Customers Priority,Honest Operation,and Considerate Service”,our business mainly focus on the distribution of electronic components. Line cards we deal with include Microchip,ALPS,ROHM,Xilinx,Pulse,ON,Everlight and Freescale. Main products comprise IC,Modules,Potentiometer,IC Socket,Relay,Connector.Our parts cover such applications as commercial,industrial, and automotives areas.

We are looking forward to setting up business relationship with you and hope to provide you with the best service and solution. Let us make a better world for our industry!



Contact us

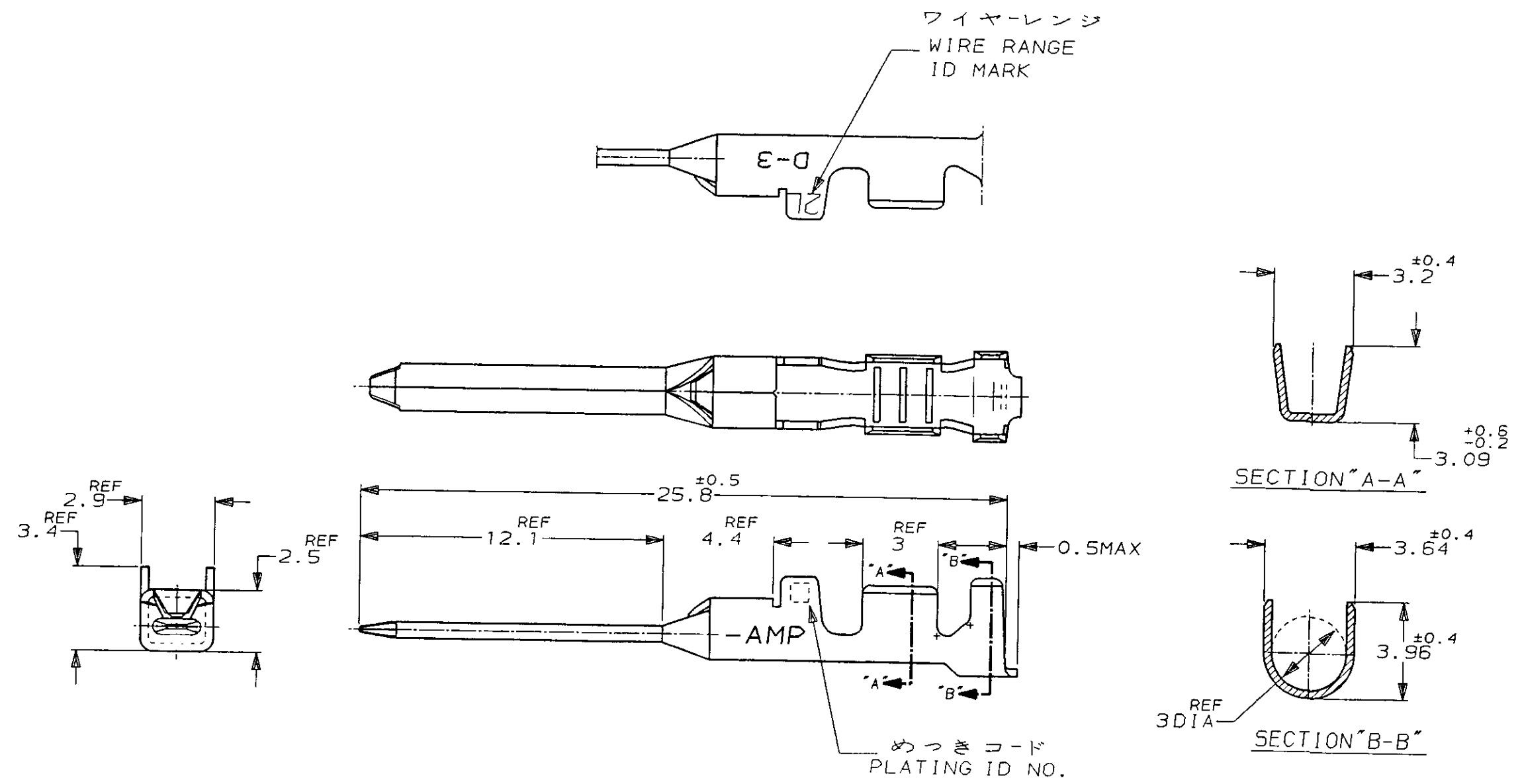
Tel: +86-755-8981 8866 Fax: +86-755-8427 6832

Email & Skype: info@chipsmall.com Web: www.chipsmall.com

Address: A1208, Overseas Decoration Building, #122 Zhenhua RD., Futian, Shenzhen, China



NUMBER 917512
METRIC



注記
 ▲ 金めっきは接触部のみとする

NOTE
 ▲ GOLD-PL. CONTACT AREA ONLY

5	光沢錫めっき (BRIGHT TIN-PL.)	▲ -5
3	▲ 0.76μm 最小金めっき (0.76μm MIN. Au-PL.)	-3
2	▲ 0.38μm 最小金めっき (0.38μm MIN. Au-PL.)	917512-2
めっきコード (PL. ID NO.)	仕上 (FINISH)	型番 (P/N)

Copyright ©1995 年 AMP (Japan) LTD. ALL RIGHTS RESERVED.		AMP 東京エー・エム・ピー株式会社 Tokyo, Japan	
包合電線断面積 (WIRE RANGE) AWG 16-14	被覆外径 (INSULATION DIA.) 2.2-2.8 mmφ	名称 (NAME) DYNAMIC D-3 SERIES TAB CONTACT "2L" SIZE LOOSE PIECE ダイナミック D-3シリ-スタブコンタクト	
材料 (MATERIAL) (COPPER ALLOY) 銅合金	仕上 (FINISH) (SEE TABLE) 表参照	一般公差 (GENERAL TOLERANCE) 10以下: ±0.2 10以上 30以下: ±0.25 30以上 100以下: ±0.3 角 度: ±3°	SIZE LOC 番号 (No.) B J 917512
A REVISED (FJ00-2906-95) KI Y, I 31/JUL 95	DR. 27/APR/95 K. IKEDA	尺度 (SCALE) 5-1	REV. A SHEET 1 OF 1
O RELEASED (FJ00-1975-95) KI S, M 28/APR 95	CHK. 28/APR/95 S. MANABE		
LTR 変更 (REVISION RECORD) DR CHK DATE	APP. 28/APR/95 S. MANABE		

PRINT DIST
 単位: 全 DIMENSIONS IN MM. DO NOT SCALE PRINT

(CUSTOMER DRAWING) 参 考 面