



Chipsmall Limited consists of a professional team with an average of over 10 year of expertise in the distribution of electronic components. Based in Hongkong, we have already established firm and mutual-benefit business relationships with customers from,Europe,America and south Asia,supplying obsolete and hard-to-find components to meet their specific needs.

With the principle of "Quality Parts,Customers Priority,Honest Operation,and Considerate Service",our business mainly focus on the distribution of electronic components. Line cards we deal with include Microchip,ALPS,ROHM,Xilinx,Pulse,ON,Everlight and Freescale. Main products comprise IC,Modules,Potentiometer,IC Socket,Relay,Connector.Our parts cover such applications as commercial,industrial, and automotives areas.

We are looking forward to setting up business relationship with you and hope to provide you with the best service and solution. Let us make a better world for our industry!



## Contact us

Tel: +86-755-8981 8866 Fax: +86-755-8427 6832

Email & Skype: info@chipsmall.com Web: www.chipsmall.com

Address: A1208, Overseas Decoration Building, #122 Zhenhua RD., Futian, Shenzhen, China



NUMBER C-917699

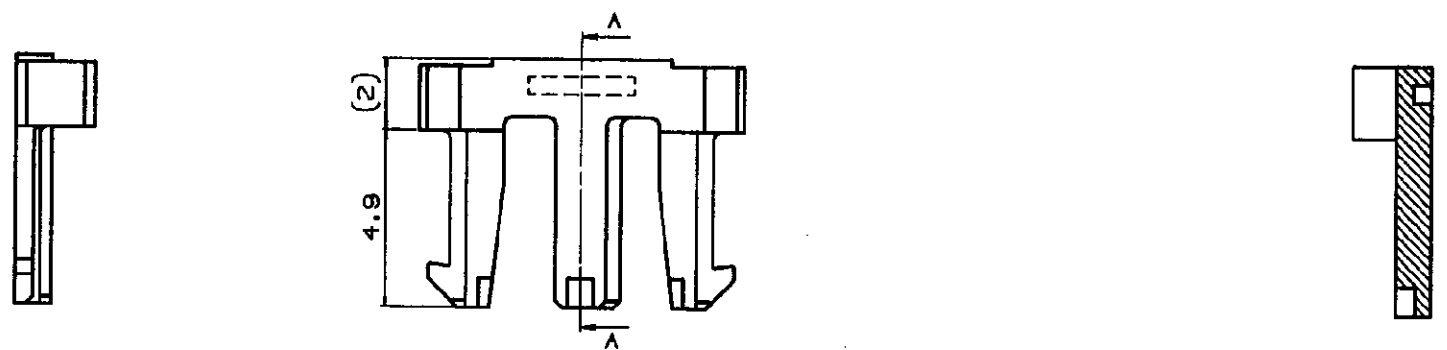
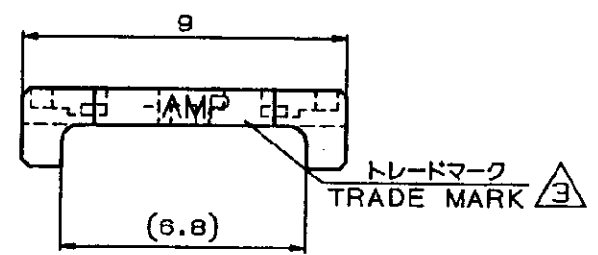


METRIC

単位: 寸法 DIMENSIONS IN MM. DO NOT SCALE PRINT

PRINT DIST

AMP-J010-20 REV.3/93



SECT A-A

- 注記:  
 1. 適用製品規格: 108-5459  
 2. 適用製品型番: 表1参照  
 表2参照

- NOTES:  
 1. PRODUCT SPEC.: 108-5459  
 2. APPLICABLE CONN. P/N: SEE TABLE 1  
 表2参照

キャップハウジング CAP HOUSING	3	316087
プラグハウジング PLUG HOUSING	3	917687
適用製品 APPLICABLE PRODUCT	種数 (Pos.)	型番 (P/N)

表1  
TABLE 1

赤 (RED)	3	917699-2
自然色 (NATURAL)	3	917699-1
プレート色調 (PLATE COLOR)	種数 (Pos.)	型番 (P/N)

表2  
TABLE 2

トレードマーク TRADE MARK	生産場所 MANUFACTURING PLACE
-AMP 又は - OR AMP	日本 JAPAN
-+AMP 又は -+ OR AMP	中国 CHINA (PRC)

				<b>tyco</b> Electronics		Tyco Electronics AMP K.K. Kawasaki, Japan	
C	変更 FJD0-0182-04	T.H.	N.Y.	24 JUN '04	適合電線規格 (WIRE RANGE)	線径外径 (INSULATION DIA.)	名称 (NAME)
B	変更	N.N.		12 SEP '95	--- mm <sup>2</sup> /AWG ---	0.93-1.8 mmφ	2.5mm シグナルダブルロック 3極ダブルロックプレート
A	変更	A.O.Y.	K	8 FEB '95	材料 (MATERIAL)	仕上 (FINISH)	2.5mm SIGNAL DBL-LOCK 3P DBL LOCK PLATE
O	作成	Y.N.M.S		24 MAY '95	6/8 7/8 1/4 (UL64V-0)	---	一般公差 (GENERAL TOLERANCE)
LTR	変更 (REVISION RECORD)	DR	CHK	DATE	DR. Y. NOGUCHI	DE. Y. NOGUCHI	10 MP ±0.2
					CHK. Y. KASHIWA	APP. Y. KASHIWA	30 MP ±0.25
							30 MP ±0.3
							角度: ±3°
							尺数 (SCALE)
							5-1
							REV. C
							SHEET 1 OF 1

CUSTOMER DRAWING